



**FACSIMILE EQUIPMENT
PARTS REFERENCE LIST**

MODEL: MFC3420C / 3820CN
(For U.S.A / Canada / Chile / Argentina)

© Copyright Brother 2003

All rights reserved

No part of this publication may be reproduced in any form or by any means without permission in writing from the publisher.

Specifications are subject to change without prior notice.

NOTES FOR USING THIS PARTS REFERENCE LIST

1. In the case of ordering parts, it needs mentioning the following items:

- (1) Code
- (2) Q' ty
- (3) Description

Note: No orders without Parts Code or Tool No. can be accepted.

[Example]

REF.NO.	(1) CODE	(2) Q' TY	(3) DESCRIPTION	REMARKS

2. Design-changed parts:

When the parts are changed, any one of the following symbols is mentioned in the REMARKS column.

CNG(cng) : The part is changed to a new part.

ADD(add) : The part is newly added.

DEL(del) : The part is deleted.

Symbol in capital letters indicates that the change is the latest one in the page.

3. Parts change will be informed by the technical information.

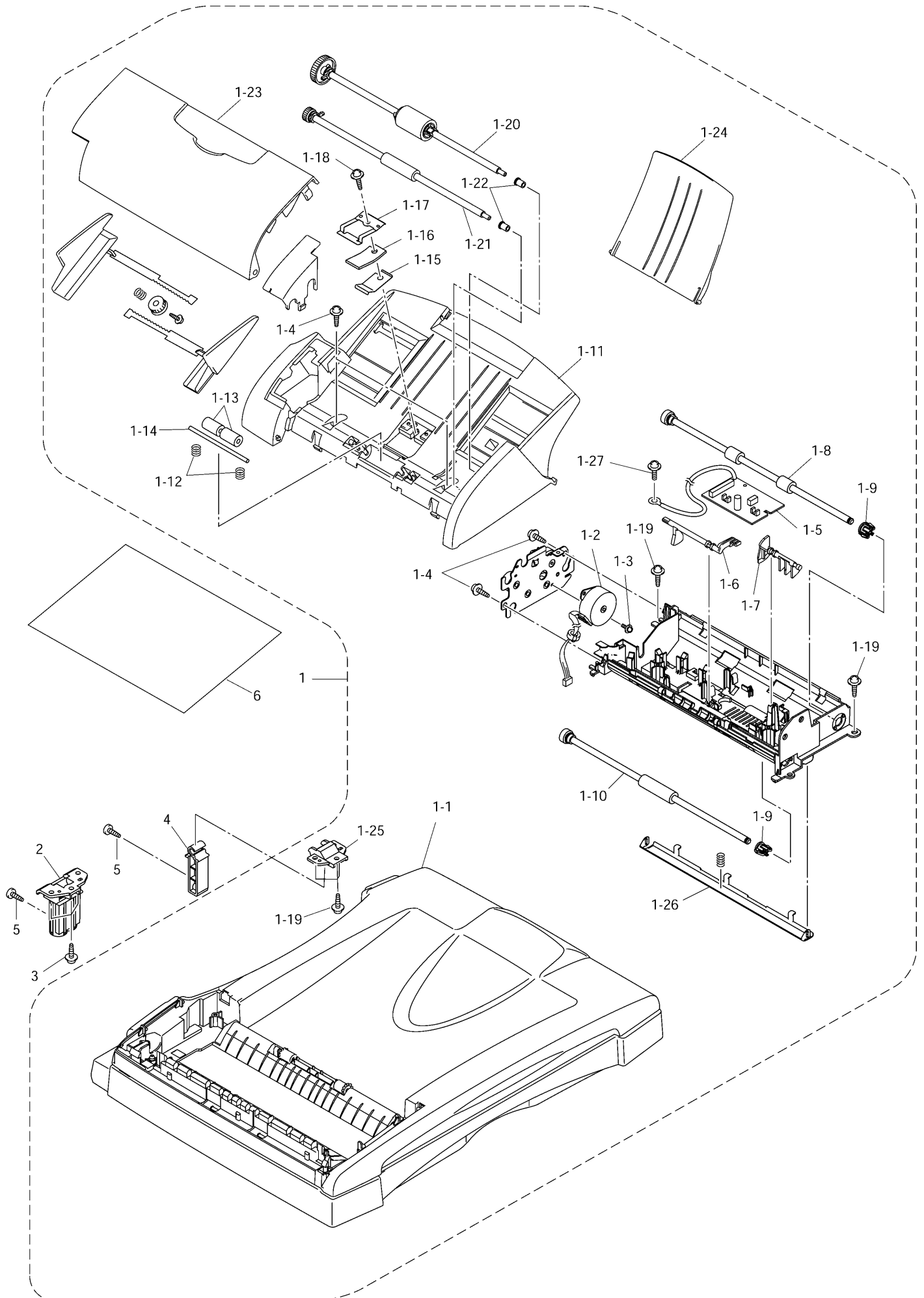
COUNTRIES

U.S.A. ----- USA

CANADA ----- CAN

CHILE ----- CHL

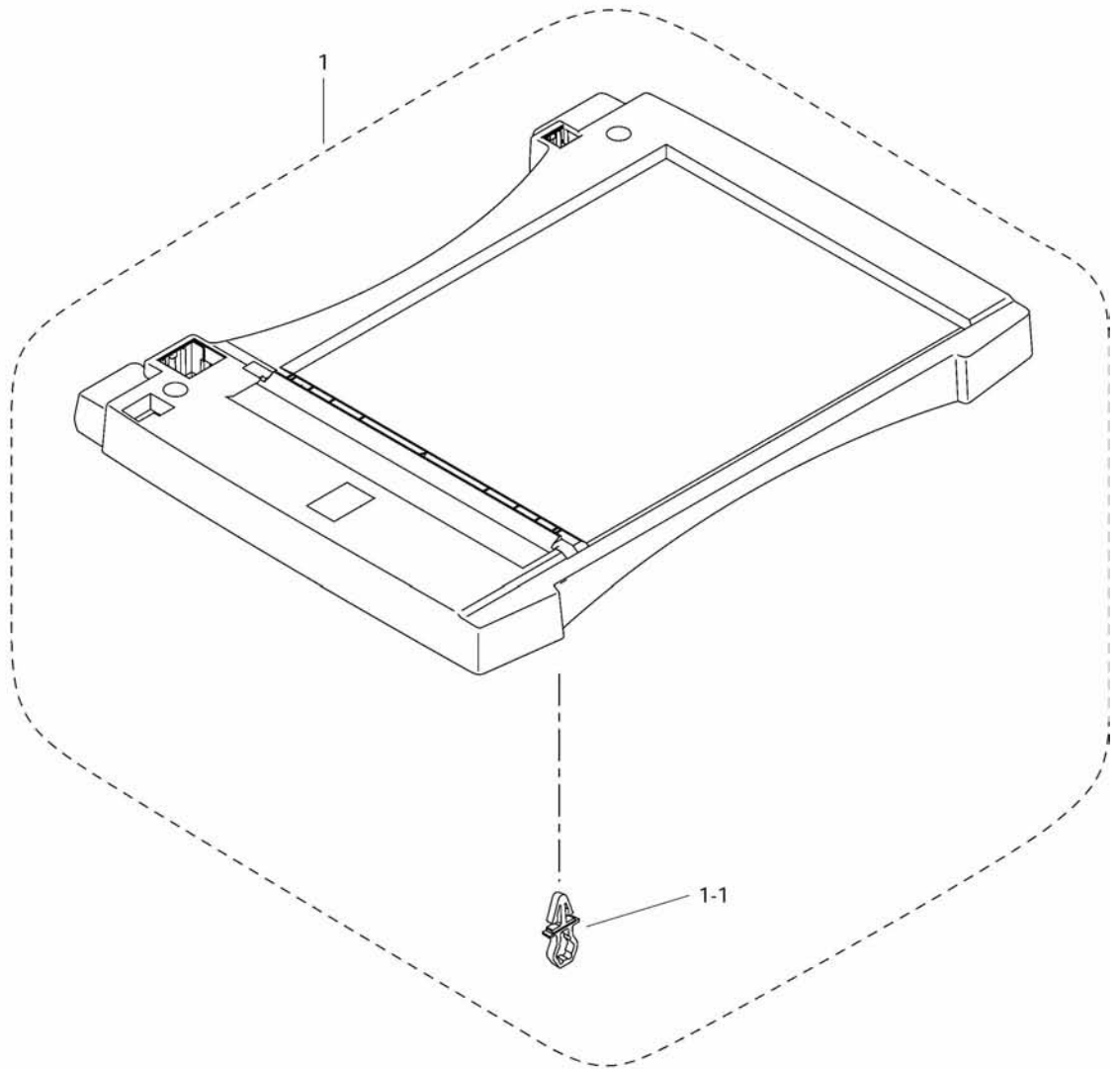
ARGENTINA ----- ARG



List1(ADF)

REF No.	CODE	QTY	DESCRIPTION	RECOMMEND	SYMBOL	REMARK
1	LE9729001	1	DOCUMENT COVER ASSY, MFC3420C	√		
1	LE9729003	1	DOCUMENT COVER ASSY, MFC3820CN	√		
1-1	LE9730001	1	DOCUMENT COVER SUB ASSY			
1-2	LE9743001	1	ADF MOTOR			
1-3	0A4300605	1	SCREW, PAN (S/P WASHER) M3X6			
1-4	087311016	4	TAPTITE, CUP B M3X10			
1-5	LG4738001	1	ADF PCB ASSY		B53K682	
1-6	LE9744001	1	DOCUMENT REAR SENSOR ACTUATOR			
1-7	LE9745001	1	DOCUMENT FRONT SENSOR ACTUATOR			
1-8	LE9746001	1	DOCUMENT EJECTION ROLLER ASSY			
1-9	LF4230001	2	PAWLED BUSHING			
1-10	LE9749001	1	DOCUMENT FEED ROLLER 2 ASSY			
1-11	LE9758001	1	UPPER ADF CHUTE, GRAY(1581), MFC3420C			
1-11	LE9758003	1	UPPER ADF CHUTE, GRAY(1677), MFC3820CN			
1-12	LE2472001	2	PRESSURE ROLLER SPRING			
1-13	UF9009001	2	DOCUMENT PRESSURE ROLLER			
1-14	LE2471001	1	PRESSURE ROLLER SHAFT			
1-15	UU7105001	1	SPRING PLATE B			
1-16	LE1926001	1	SEPARATION RUBBER			
1-17	LE1961001	1	SPRING PLATE A			
1-18	UF5034001	1	TAPTITE, B 3X6			
1-19	087311016	5	TAPTITE, CUP B M3X10			
1-20	LE9761001	1	SEPARATE ROLLER ASSY			
1-21	LE9766001	1	DOCUMENT FEED ROLLER 1 ASSY			
1-22	UF9949001	2	BUSHING S			
1-23	LE9770001	1	ADF COVER, GRAY(1581), MFC3420C			
1-23	LE9770003	1	ADF COVER, GRAY(1677), MFC3820CN			
1-24	LF4413001	1	ADF DOCUMENT SUPPORT, GRAY(1677)			
1-25	LE6245002	1	HINGE BASE R, GRAY(1581)			
1-26	LE9771001	1	DOCUMENT PRESSURE BAR ASSY			
1-27	087320616	1	TAPTITE, CUP S M3X6			
2	LP0018001	1	HINGE L ASSY			CHG
3	087311016	3	TAPTITE, CUP B M3X10			
4	LE6244002	1	HINGE ARM R, GRAY(1581)			
5	085411216	2	TAPTITE, BIND B M4X12			
6	UU0456001	1	PROTECTION PAPER			

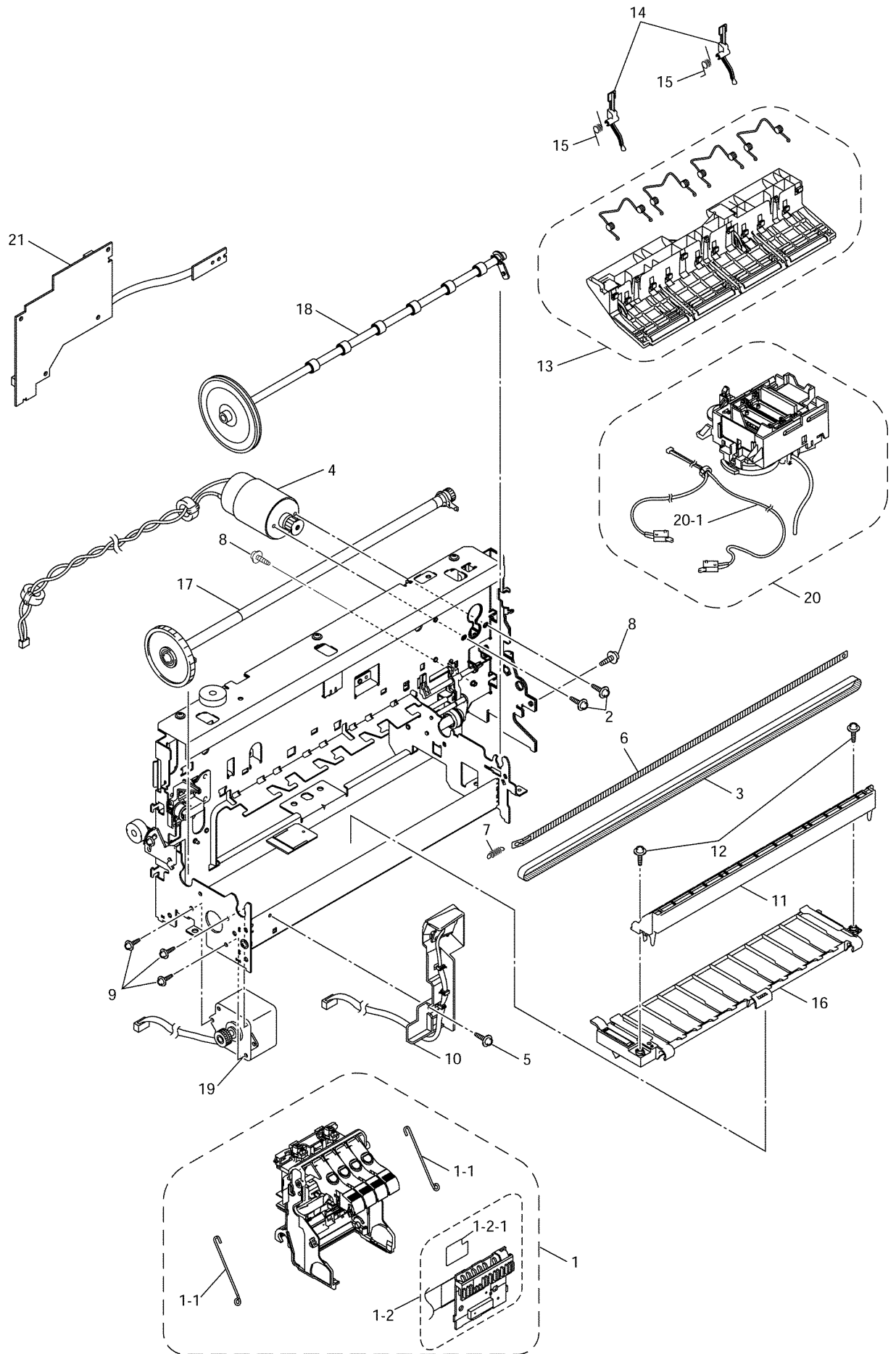
2. SCANNER



List2(SCANNER)

REF No.	CODE	QTY	DESCRIPTION	RECOMMEND	REMARK
1	LF4415001	1	SCANNER UNIT(SP)		
1-1	LF4080001	1	LOCK SUPPORT		ADD

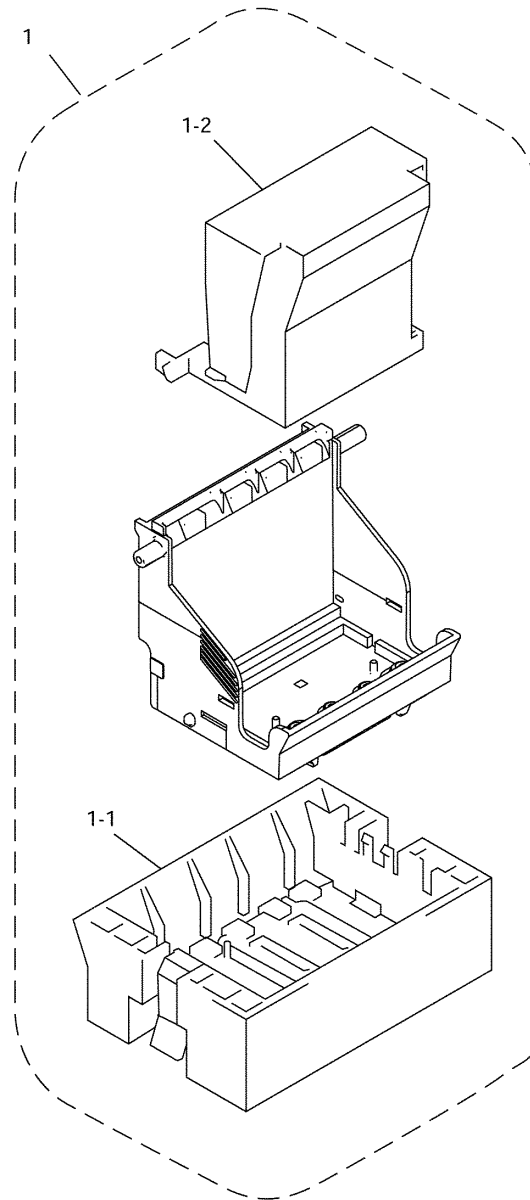
3. ENGINE



List3(ENGINE)

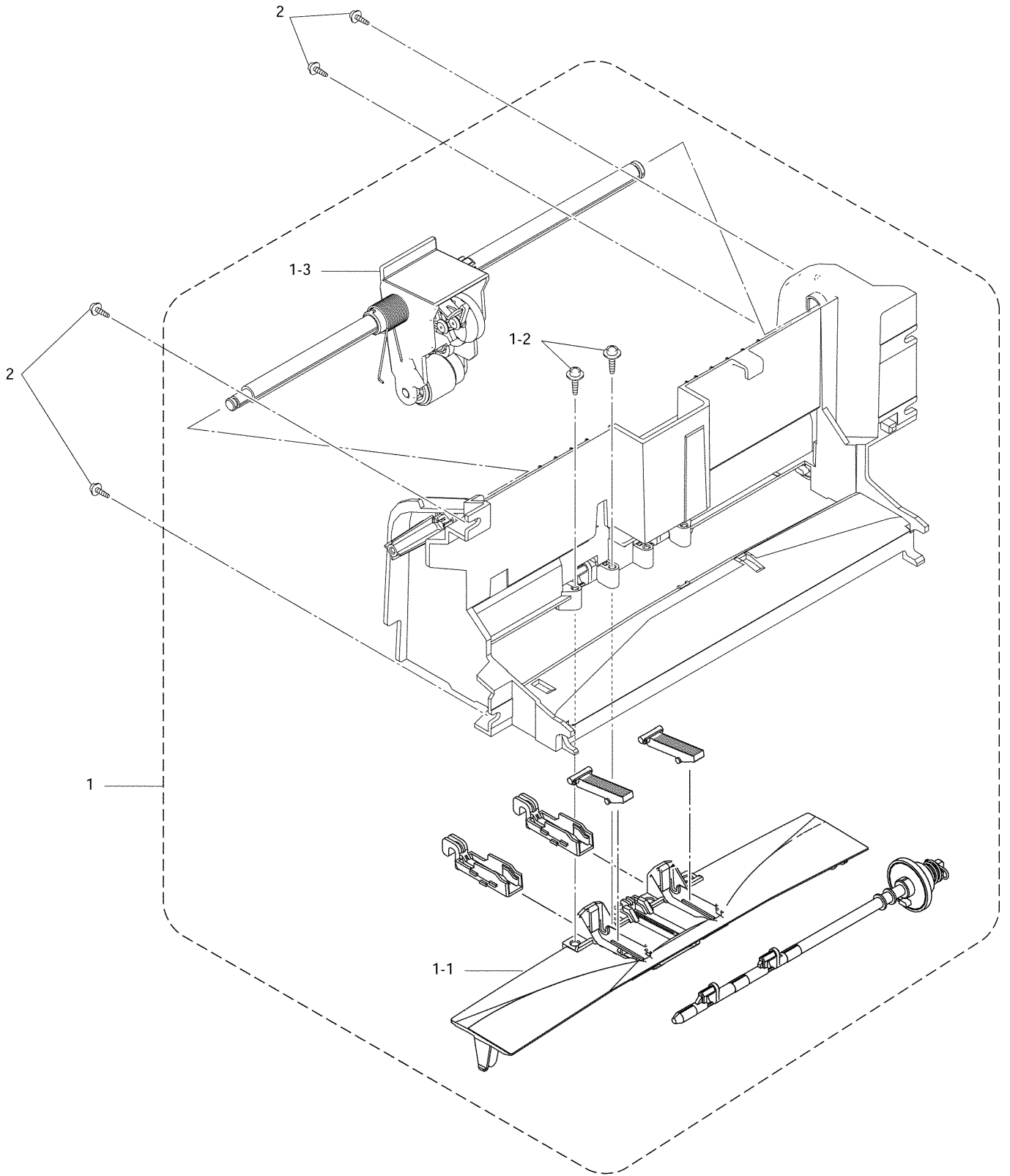
REF No	CODE	QTY	DESCRIPTION	RECOMMEND	SYMBOL	REMARK
1	LE3996001	1	CARRIAGE UNIT ASSY	√		
1-1	LE6930001	2	HEAD SETTING SPRING			
1-2	LE6935001	1	CARRIAGE PCB FILM ASSY			
1-2-1	LE6940001	1	SLIDE FILM PCB			
2	0A5300605	2	SCREW, PAN (S/P WASHER) M3X6			
3	LE6945001	1	TIMING BELT M			
4	LE6946001	1	CARRIAGE MOTOR			
5	087320616	1	TAPTITE, CUP S M3X6			
6	LE6956001	1	ENCODER STRIP			
7	LE9725001	1	ENCODER STRIP SPRING			
8	087310815	2	TAPTITE, CUP B M3X8			
9	000300505	3	SCREW, BIND M3X5			
10	LG4745001	1	INK EMPTY SENSOR PCB ASSY		B53K704	
11	LF5569001	1	STAR WHEEL SUPPORT ASSY (SP)			CHG
12	LE9229001	2	TAPTITE, PAN B 3X10			
13	LE6962001	1	PAPER PRESSURE HOLDER ASSY			
14	LE6967001	2	ACTUATOR			
15	LE6968001	2	ACTUATOR SPRING			
16	LE6969001	1	PLATEN ASSY			
17	LE6974002	1	PAPER FEED ROLLER ASSY, RED MARK(SP)			
17	LE6974003	1	PAPER FEED ROLLER ASSY, BLUE MARK(SP)			
18	LF5567001	1	PAPER EJECTION ROLLER ASSY (SP)			CHG
19	LE6985001	1	PAPER FEED MOTOR ASSY			
20	LE6988001	1	PURGE UNIT ASSY	√		
20-1	LG4678001	1	PURGE SWITCH HARNESS			
21	LG4994001	1	DRIVER PCB ASSY	√	B53K678	

4. HEAD UNIT



List4(HEAD UNIT)

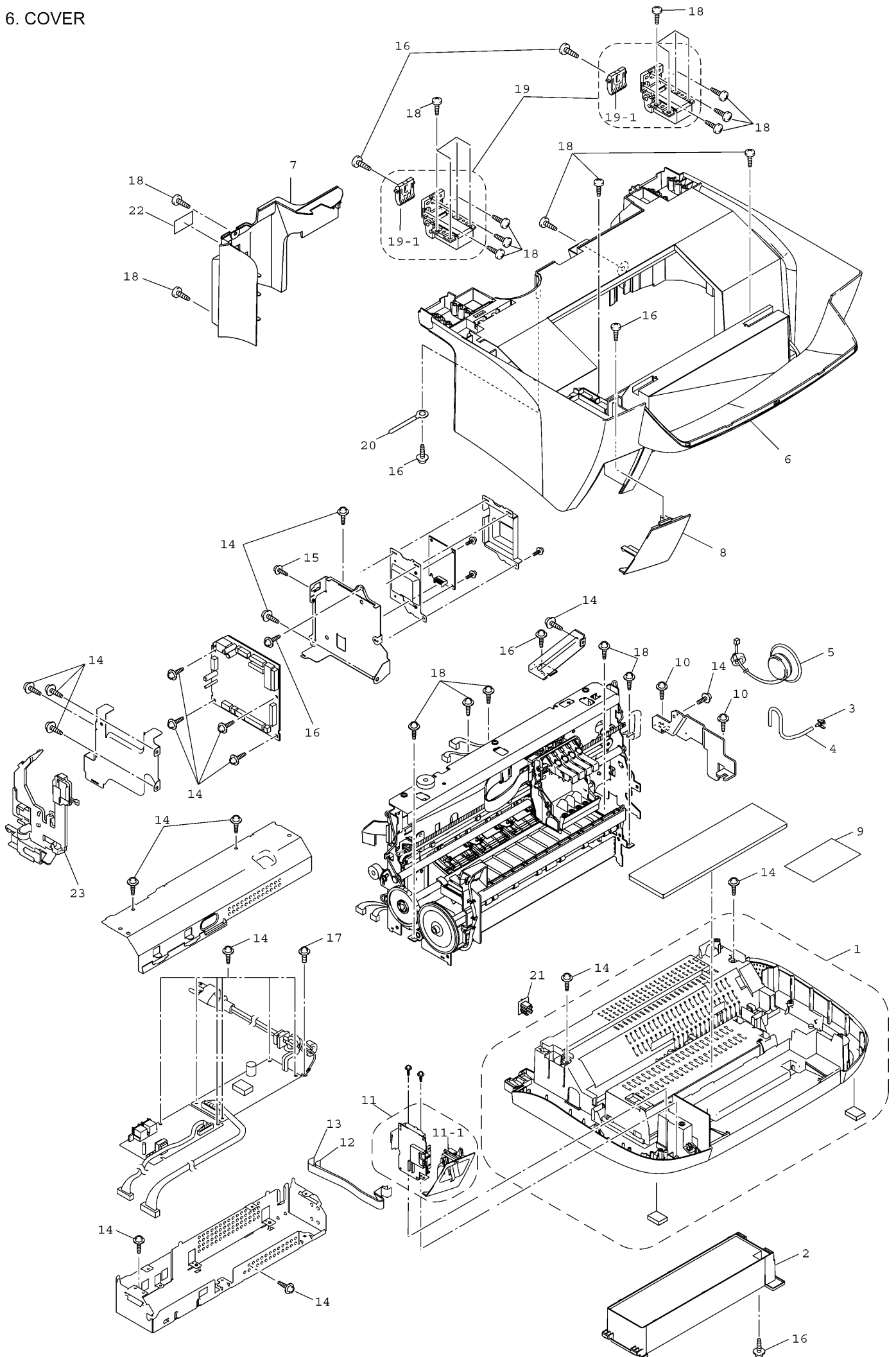
REF No.	CODE	QTY	DESCRIPTION	RECOMMEND	REMARK
1	LK0935001	1	PRINT HEAD ASSY (SP)	√	
1-1	LK0516001	1	HEAD NOZZLE SEAL (SP)	√	
1-2	LK1870001	1	HEAD FILTER SEAL (SP)	√	CHG



List5(ASF)

REF No.	CODE	QTY	DESCRIPTION	RECOMMEND	REMARK
1	LE9656001	1	ASF BASE ASSY, GRAY(1581)	√	
1-1	LE9658001	1	BANK ASSY		
1-2	085311015	2	SCREW, BIND B TITE 3X10		
1-3	LE9672001	1	ASF ROLLER ASSY		
2	087320616	4	TAPTITE, CUP S M3X6		

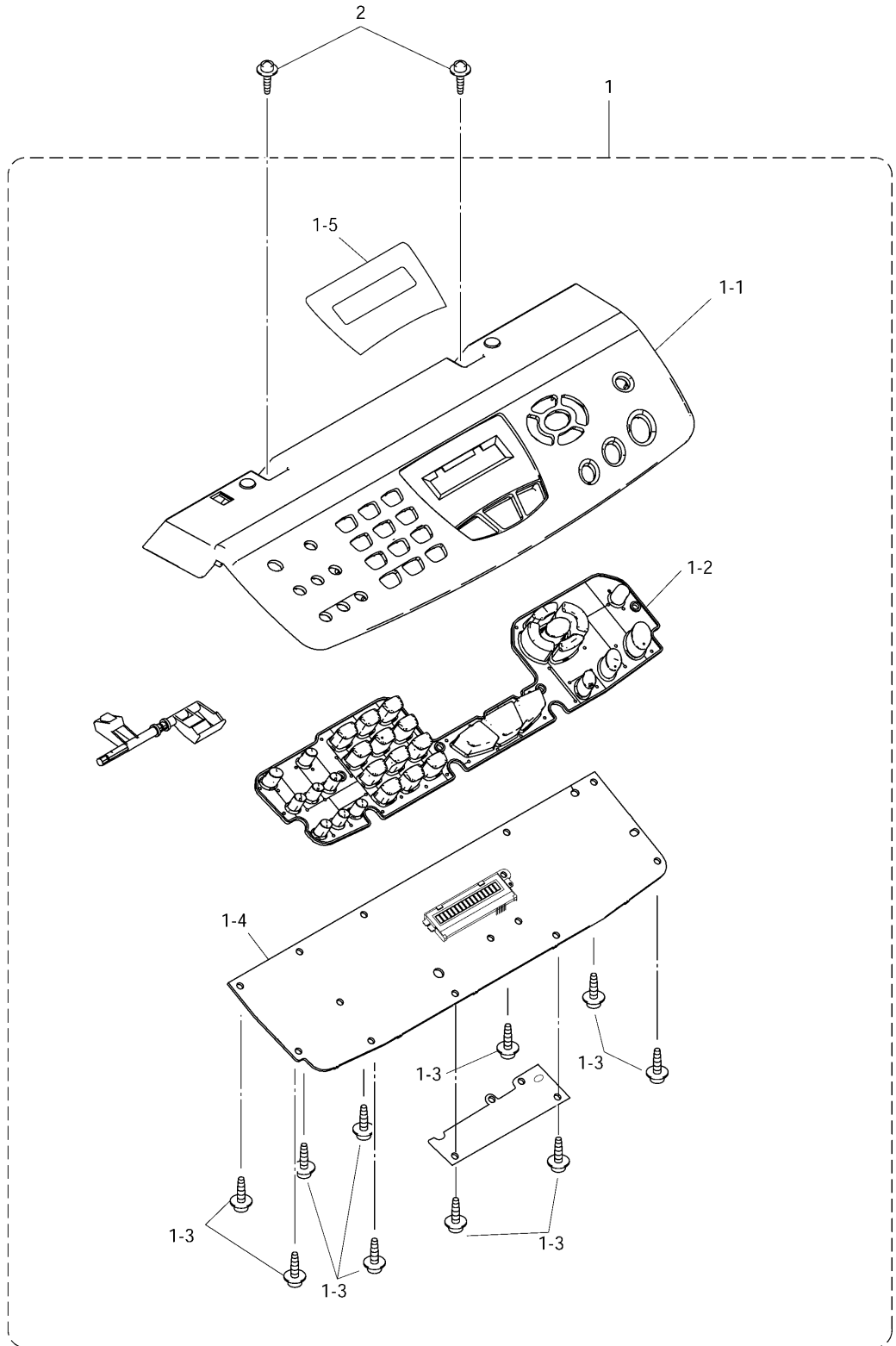
6. COVER



List6(COVER)

REF No	CODE	QTY	DESCRIPTION	RECOMMEND	SYMBOL	REMARK
1	LE9679001	1	LOWER COVER ASSY			
2	LE9681001	1	INK ABSORBER BOX ASSY			
3	LE9164001	1	TUBE JOINT			
4	LE9684001	1	DRAIN TUBE			
5	LG3845001	1	SPEAKER UNIT			
6	LE9829001	1	MAIN COVER, GRAY(1581)			
7	LE9830001	1	REAR COVER, GRAY(1581), MFC3420C			
7	LE9890001	1	REAR COVER, GRAY(1581), MFC3820CN			
8	LE9930001	1	FRONT COVER, MFC3420C			
9	LE9720001	1	INK REPLACE INSTRUCTION LABEL			
10	087411216	2	TAPTITE, CUP B M4X12			
(11)	LE9928001	1	MEDIA MODULE ASSY, MFC3820CN		B53K706	
(11-1)	LE9929001	1	MEDIA COVER, MFC3820CN			
(12)	LE9918001	1	MEDIA FFC 21P BENDING ASSY, MFC3820CN			
(13)	LE9919001	1	MEDIA FFC 22P BENDING ASSY, MFC3820CN			
14	087320616	23	TAPTITE, CUP S M3X6			chg
15	002300616	1	SCREW, PAN M3X6			
16	087311016	7	TAPTITE, CUP B M3X10			chg
17	UF6559001	1	SCREW, PAN (WASHER) M4X8DB			
18	085411216	24	TAPTITE, BIND B M4X12			
19	LE9815001	2	SCANNER HINGE			
19-1	LF4274001	2	HINGE STOPPER			
20	T03413001	1	COATING CLIP			
21	----		NOT USED			
22	LF4475001	1	USB STICKER			ADD
23	LF4429001	1	CORE SUPPORT			ADD

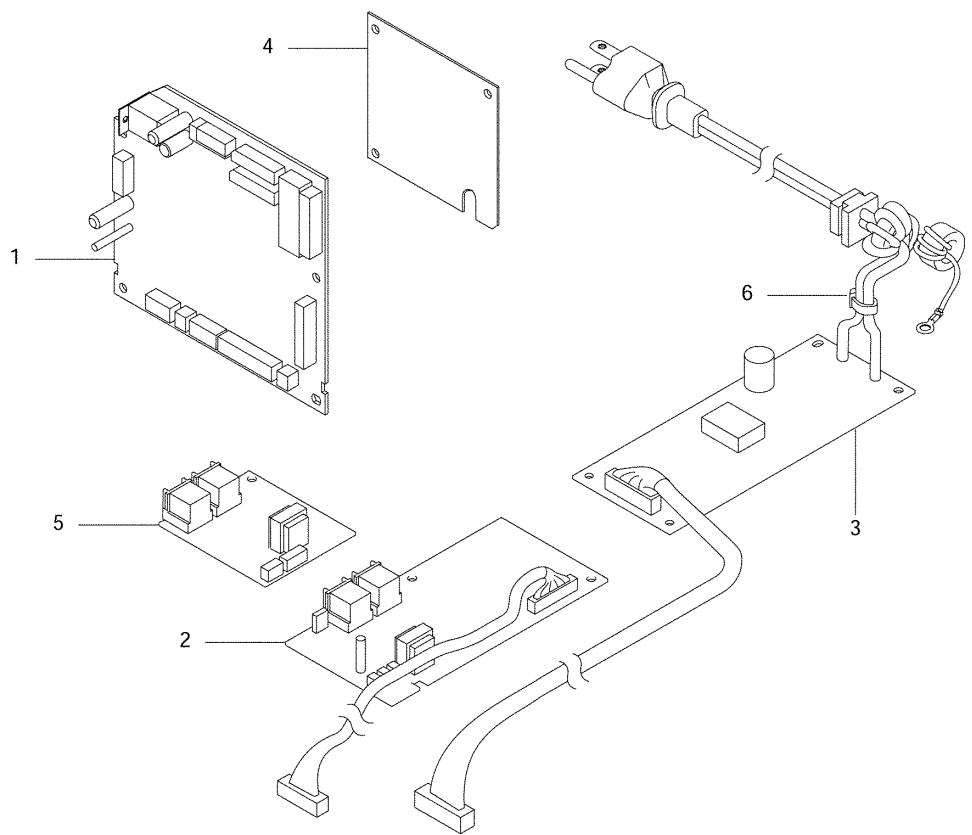
7. PANEL



List7(PANEL)

REF No.	CODE	QTY	DESCRIPTION	RECOMMEND	SYMBOL	REMARK
1	LE9833001	1	CONTROL PANEL ASSY, MFC3420C FOR US/CAN	√		
1	LE9891001	1	CONTROL PANEL ASSY, MFC3820CN	√		
1	LF4457001	1	CONTROL PANEL ASSY, MFC3420C FOR CHL/ARG	√		ADD
1-1	LE9834001	1	PRINTED CONTROL PANEL ASSY, MFC3420C FOR US/CAN			
1-1	LE9892001	1	PRINTED CONTROL PANEL ASSY, MFC3820CN			
1-1	LF4458001	1	PRINTED CONTROL PANEL ASSY, MFC3420C FOR CHL/ARG			ADD
1-2	LE9836001	1	RUBBER KEYPAD, MFC3420C			
1-2	LE9893001	1	RUBBER KEYPAD, MFC3820CN			
1-3	087310815	10	TAPTITE, CUP B M3X8			chg
1-4	LG4828001	1	CONTROL PANEL PCB ASSY, MFC3420C		B53K681	
1-4	LG4828002	1	CONTROL PANEL PCB ASSY, MFC3820CN		B53K681	
1-5	LE9838001	1	LCD SHEET, MFC3420C			
1-5	LE9894001	1	LCD SHEET, MFC3820CN			
2	087311016	2	TAPTITE, CUP B M3X10			

8. PCB

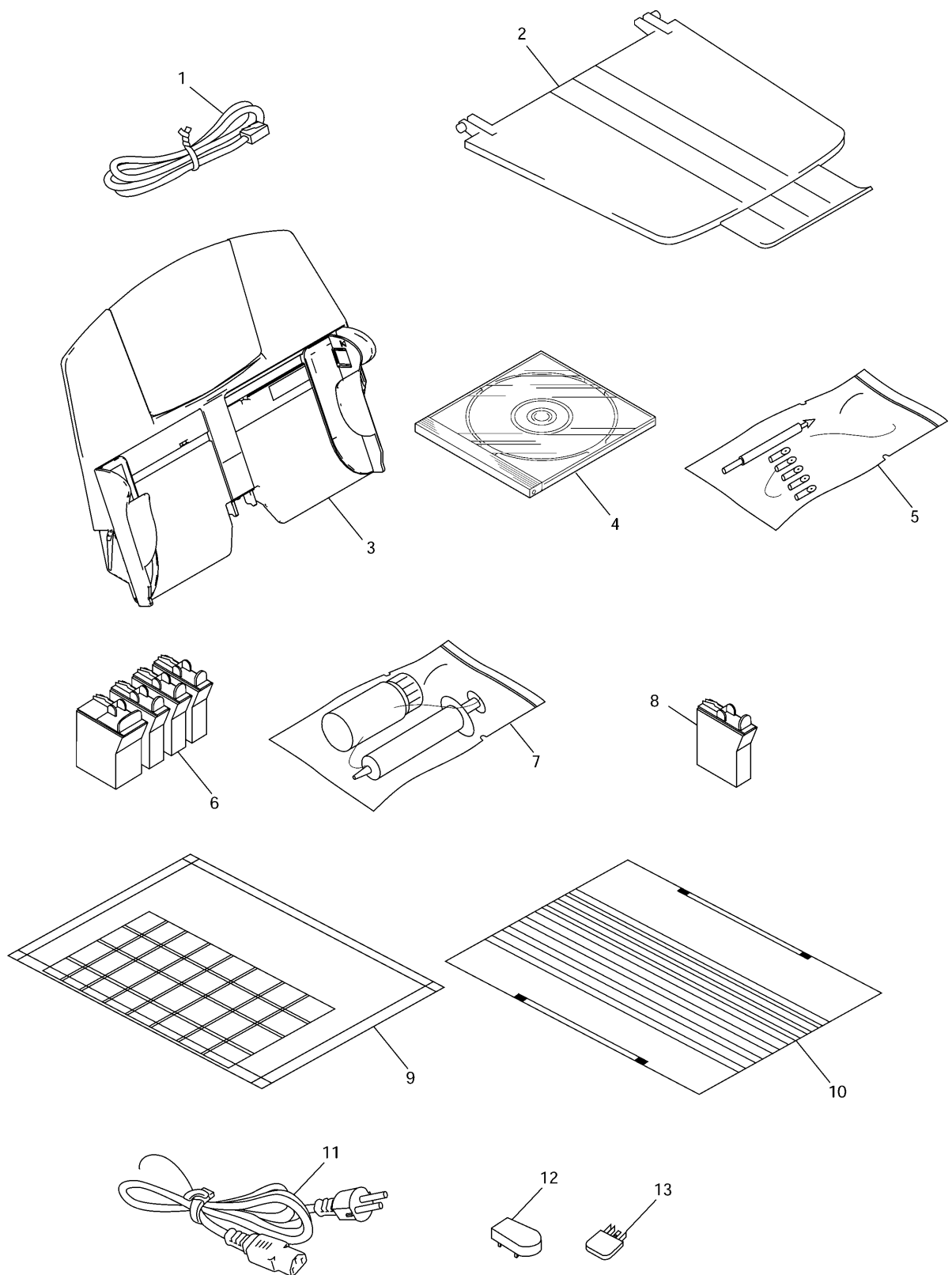


List8(PCB)

REF No	CODE	QTY	DESCRIPTION	RECOMMEND	SYMBOL	REMARK
1	LG4783041	1	MAIN PCB ASSY, MFC3420C FOR US/CAN	√	B53K674	
4*	LG4783042	4	MAIN PCB ASSY, MFC3420C	✗	B53K674	DEL
1	LG4826041	1	MAIN PCB ASSY, MFC3820CN FOR US/CAN	√	B53K705	
4*	LG4826042	4	MAIN PCB ASSY, MFC3820CN	✗	B53K705	DEL
1	LG4783045	1	MAIN PCB ASSY, MFC3420C For CHL/ARG	√	B53K674	ADD
2	LG4396011	1	NCU PCB ASSY, MFC3420C	√	B53K664	
3	LG5075001	1	POWER SUPPLY PCB ASSY, MFC3420C FOR US/CAN	√		
3	LG5043001	1	POWER SUPPLY PCB ASSY, MFC3820CN	√		
3	LG4817001	1	POWER SUPPLY PCB ASSY, MFC3420C FOR CHL/ARG	√		ADD
4	LG4808001	1	SDAA PCB ASSY, MFC3820CN	√	B53K710	
5	LG4855001	1	MJ PCB ASSY, MFC3820CN	√	B53K711	
6	U83026000	1	WIRE TIE 100			

*: First 3-months production only

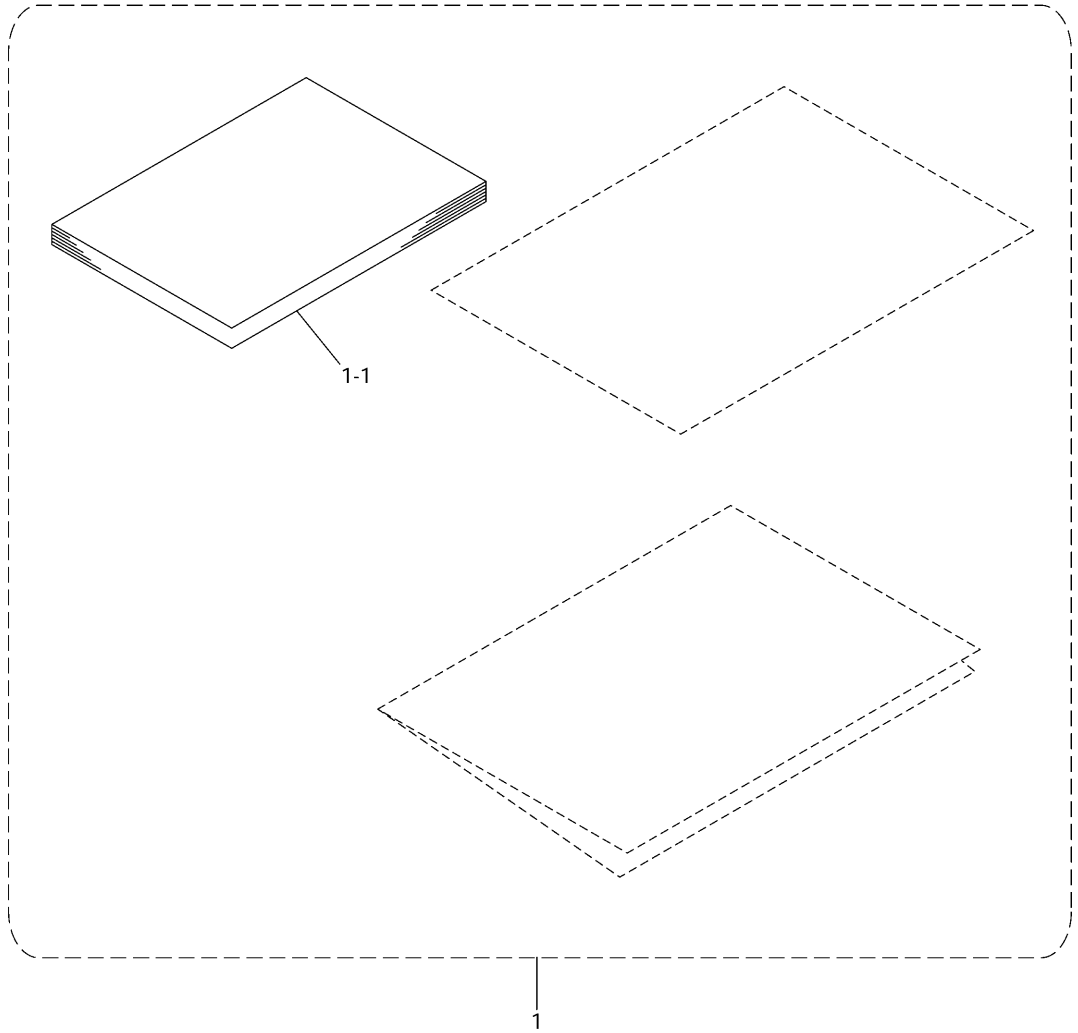
9. ACCESSORIES



List9(Accessories)

REF No.	CODE	QTY	DESCRIPTION	RECOMMEND	REMARK
1	LG3077001	1	TELEPHONE LINE CORD		
2	LE9840001	1	OUTPUT PAPER SUPPORT ASSY, GRAY(1676)		
3	LE9843001	1	PAPER TRAY ASSY		
4	LE9880001	4	CD-ROM ASSY, MFC3420C FOR US		del
4	LE9988001	1	CD-ROM ASSY, MFC3420C FOR US/CAN		chg
4	LE9989001	1	CD-ROM ASSY FOR MFC3820CN		chg
4	LF4292001	1	CD-ROM ASSY, MFC3420C FOR CHL/ARG		ADD
4	LF4450001	1	CD-ROM ASSY MAC1, MFC3420C FOR CHL/ARG		ADD
5	ZA0310001	1	HEAD CLEANER STICK ASSY	√	
6	LK1103001	1	IL CARTRIDGE LC31	√	
7	LK0504001	1	GLYCEROL CLEAN FLUID BH	√	
8	LF4005001	1	FORM EMPTY CARTRIDGE BHL2 UNIT	√	
9	UF9258001	1	COLOR TEST CHART CTC-001		
10	UF8263001	1	TEST CHART-027		
11	LJ4738001	1	AC CODE BAG ASSY FOR CHL		ADD
11	LG3619001	1	AC CODE BAG ASSY FOR ARG	√	ADD
12	----		NOT USED		
13	----		NOT USED		

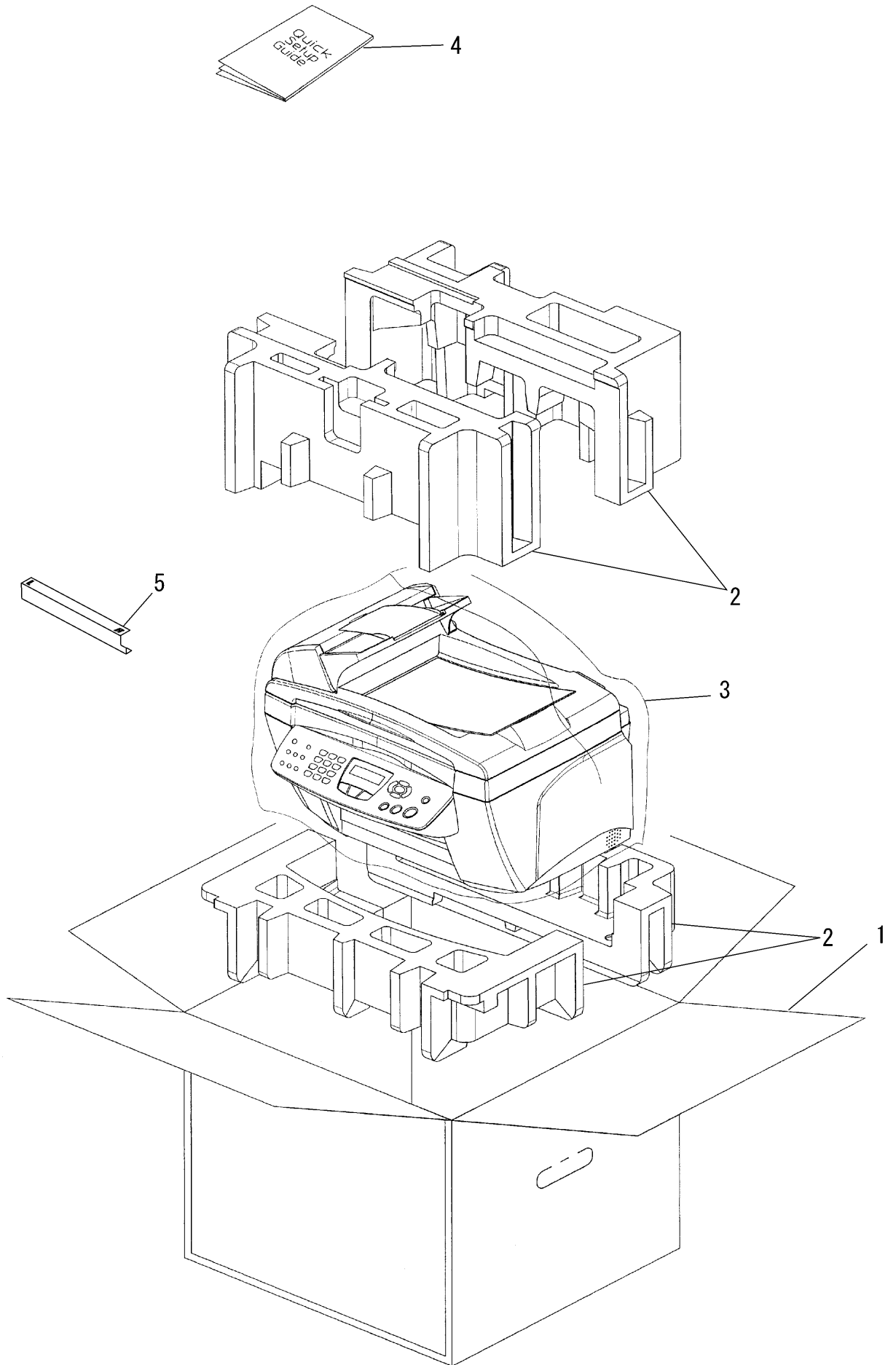
10. PRINTED MATTER



List10(PRINTED MATTER)

REF No.	CODE	QTY	DESCRIPTION	RECOMMEND	REMARK
1	LE9874001	1	USER'S GUIDE ASSY FOR US	√	
1	LF4204001	1	USER'S GUIDE ASSY FOR CAN	√	
1	LF4687035	1	USER'S GUIDE ASSY FOR CHL/ARG	√	ADD
1-1	LE9875001	1	USER'S GUIDE FOR US/CAN <ENGLISH>		
1-1	LF4205001	1	USER'S GUIDE FOR CAN <FRENCH>		
1-1	LF4345015	1	USER'S GUIDE FOR CHL/ARG		ADD

11. PACKING MATERIALS



List11(PACKING MATERIALS)

REF No.	CODE	QTY	DESCRIPTION	RECOMMEND	REMARK
1	LE9876001	1	CARTON, BROTHER, MFC3420C FOR US	√	
1	LE9957001	1	CARTON, BROTHER, MFC3820CN	√	
1	LF4206001	1	CARTON, BROTHER, MFC3420C FOR CAN	√	
1	LE9878001	1	CARTON, BROTHER, MFC3420C FOR CHL/ARG	√	ADD
2	LE9850001	1	BODY POLYSTYRENE FOAM ASSY		
3	LJ0763001	1	BAG, 1000X1000H		
4	LE9879001	1	QUICK SETUP GUIDE, MFC3420C FOR US/CAN <ENGLISH>		
4	LE9960001	1	QUICK SETUP GUIDE, MFC3820CN		
4	LF4207001	1	QUICK SETUP GUIDE, MFC3420C FOR CAN <FRENCH>		
4	LF4461001	1	QUICK SETUP GUIDE, MFC3420C FOR CHL/ARG		ADD
5	LF4143001	1	CARRIAGE STOPPER		

brother[®]

PL-FAX057
8CA711
Ver. J-1