

TOSHIBA

SERVICE PARTS LIST

MULTIFUNCTIONAL DIGITAL COLOR SYSTEMS

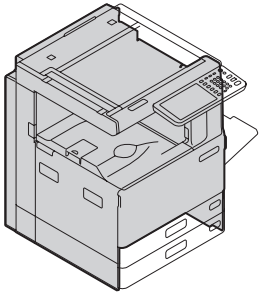
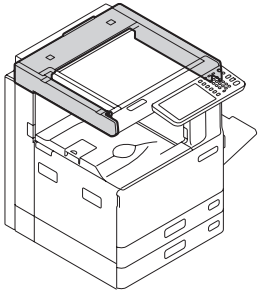
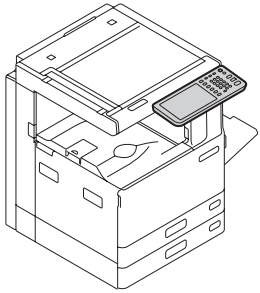
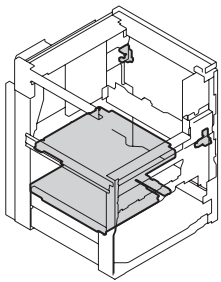
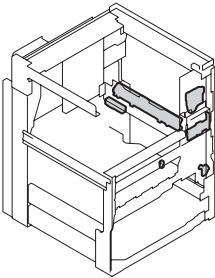
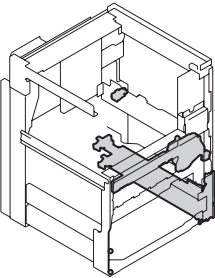
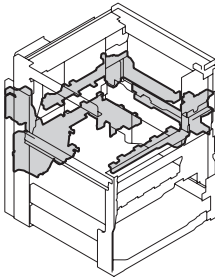
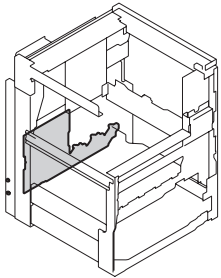
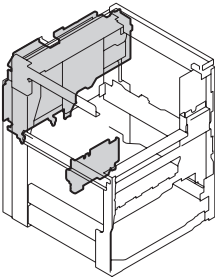
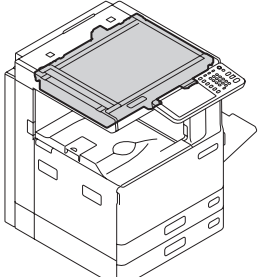
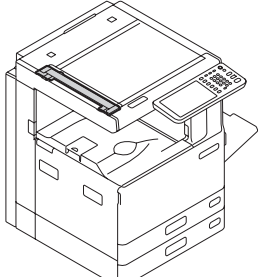
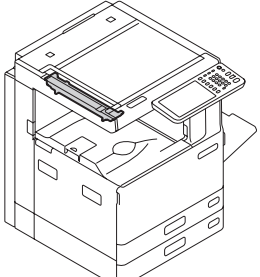
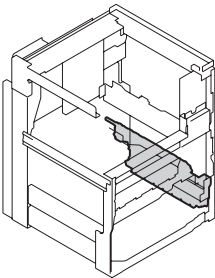
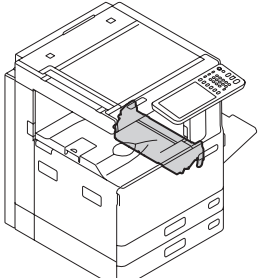
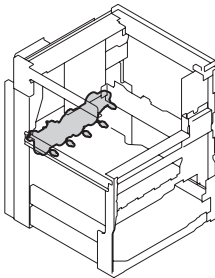
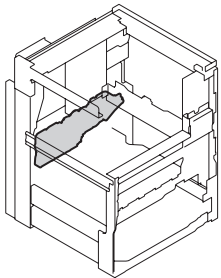
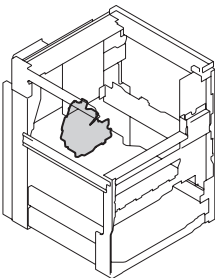
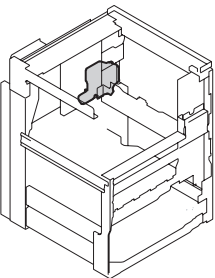
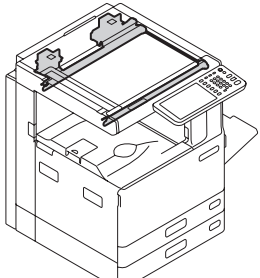
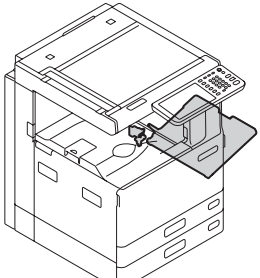
e-STUDIO2555c/3055c/3555c/4555c/5055c

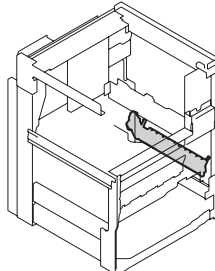
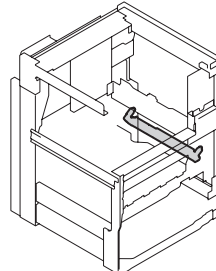
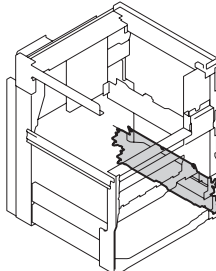
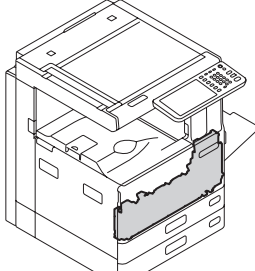
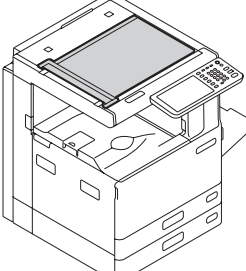
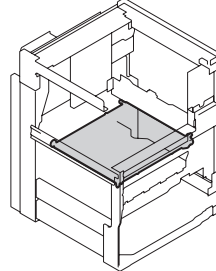
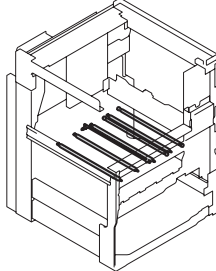
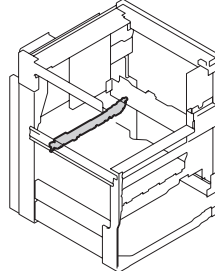
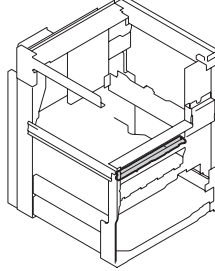
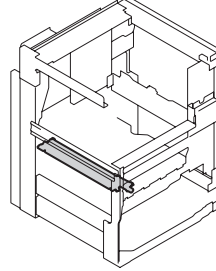
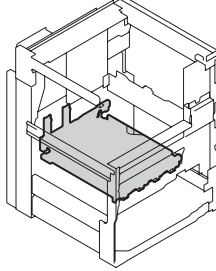
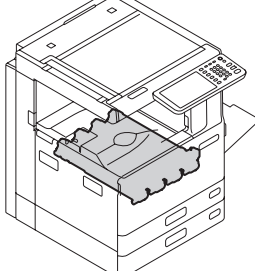
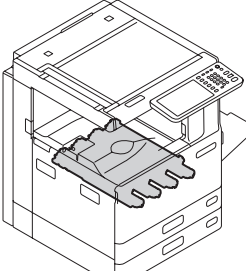
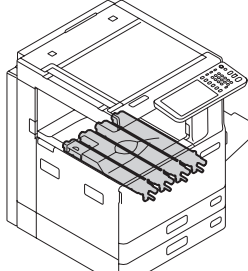
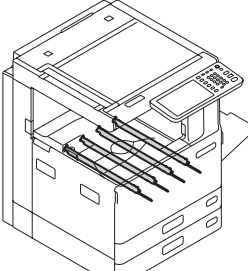
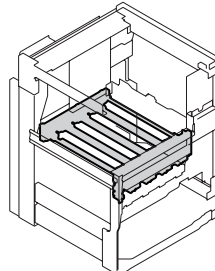
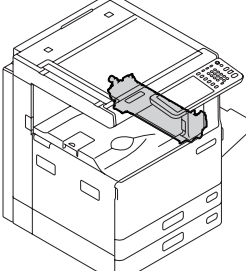
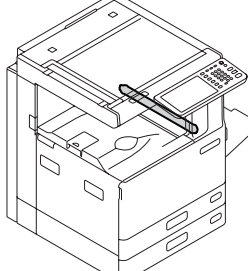
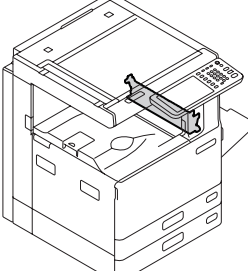
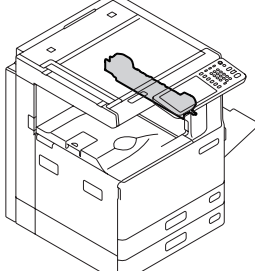
© 2013 TOSHIBA TEC CORPORATION All rights reserved

Under the copyright laws, this manual cannot be reproduced in any form without prior written permission of TOSHIBA TEC CORPORATION. No patent liability is assumed, however, with respect to the use of the information contained herein.

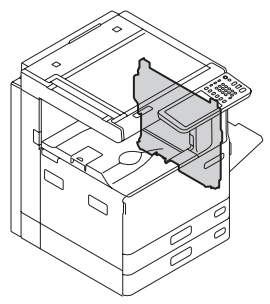
CONTENTS

COVER-1-ASY	1	ADU-1-ASY	41
COVER-2-ASY	2	ADU-2-ASY	42
CONTROL-PANEL-ASY.....	3	DRAWER-ASY-1	43
FRAME-1-ASY	4	DRAWER-ASY-2	44
FRAME-2-ASY	5	TRAYUP-MOT-ASY.....	45
FRAME-3-ASY	6	FEEDER-DRIVE-ASY	46
FRAME-4-ASY	7	JIGS & GREASE	101
ELECTRIC-ASY	8	DOWNLOAD JIGS	102
CASE-SYS-LGC-ASY	9	SUPPLIES.....	103
OPTICAL-FRAME-ASY.....	10	REPLACE UNIT	104
CRG-1-ASY.....	11	PM-KIT	105
CRG-2-ASY.....	12		
GUIDE-RGST-ASY.....	13		
TRU-ASY.....	14		
DRIVE-DRUM-1-ASY.....	15		
DRIVE-DRUM-2-ASY.....	16		
DEVELOPER-DRIVE-ASY	17		
DRIVE-FUSER-ASY.....	18		
OPTICAL-DRIVE.....	19		
BYPASS-ASY.....	20		
BYPASS-FEEDER-ASY	21		
RGST-GUIDE	22		
FEEDER-GUIDE-ASY	23		
DRIVE-WTNR-ASY	24		
GLASS-ASY.....	25		
TBU-ASY-1	26		
TBU-ASY-2.....	27		
TBU-ASY-3.....	28		
TBU-ASY-4	29		
TBU-ASY-5.....	30		
EPU-GUIDE-ASY	31		
DEVELOPER-ASY-1	32		
DEVELOPER-ASY-2	33		
CLEANER-ASY-1	34		
CLEANER-ASY-2	35		
TNR-DRIVE-ASY	36		
FUSER-ASY-1	37		
FUSER-ASY-2	38		
FUSER-ASY-3.....	39		
EXIT-ASY	40		

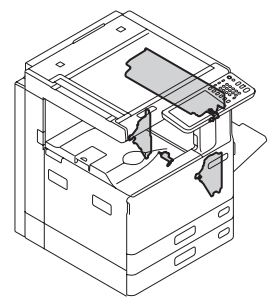
<p>1. COVER-1-ASY</p> 	<p>2. COVER-2-ASY</p> 	<p>3. CONTROL-PANEL-ASY</p> 	<p>4. FRAME-1-ASY</p> 
<p>5. FRAME-2-ASY</p> 	<p>6. FRAME-3-ASY</p> 	<p>7. FRAME-4-ASY</p> 	<p>8. ELECTRIC-ASY</p> 
<p>9. CASE-SYS-LGC-ASY</p> 	<p>10. OPTICAL-FRAME-ASY</p> 	<p>11. CRG-1-ASY</p> 	<p>12. CRG-2-ASY</p> 
<p>13. GUIDE-RGST-ASY.</p> 	<p>14. TRU-ASY</p> 	<p>15. DRIVE-DRUM-1-ASY</p> 	<p>16. DRIVE-DRUM-2-ASY</p> 
<p>17. DEVELOPER-DRIVE-ASY</p> 	<p>18. DRIVE-FUSER-ASY</p> 	<p>19. OPTICAL-DRIVE</p> 	<p>20. BYPASS-ASY</p> 

<p>21. BYPASS-FEEDER-ASY</p> 	<p>22. RGST-GUIDE</p> 	<p>23. FEEDER-ASY</p> 	<p>24. DRIVE-WTNR-ASY</p> 
<p>25. GLASS-ASY</p> 	<p>26. TBU-ASY-1</p> 	<p>27. TBU-ASY-2</p> 	<p>28. TBU-ASY-3</p> 
<p>29. TBU-ASY-4</p> 	<p>30. TBU-ASY-5</p> 	<p>31. EPU-GUIDE-ASY</p> 	<p>32. DEVELOPER-ASY-1</p> 
<p>33. DEVELOPER-ASY-2</p> 	<p>34. CLEANER-ASY-1</p> 	<p>35. CLEANER-ASY-2</p> 	<p>36. TNR-DRIVE-ASY</p> 
<p>37. FUSER-ASY-1</p> 	<p>38. FUSER-ASY-2</p> 	<p>39. FUSER-ASY-3</p> 	<p>40. EXIT-L-ASY</p> 

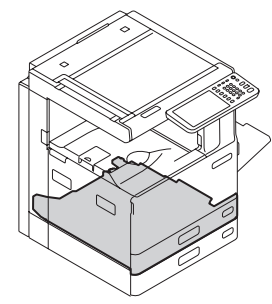
41. ADU-1-ASY



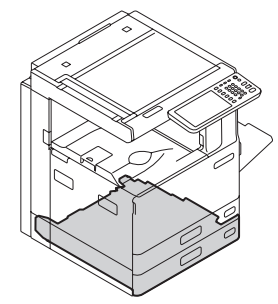
42. ADU-2-ASY



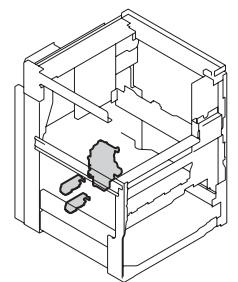
43. DRAWER-ASY-1



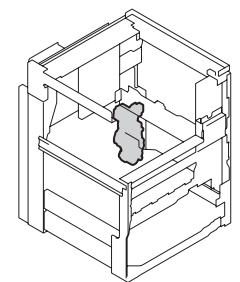
44. DRAWER-ASY-2

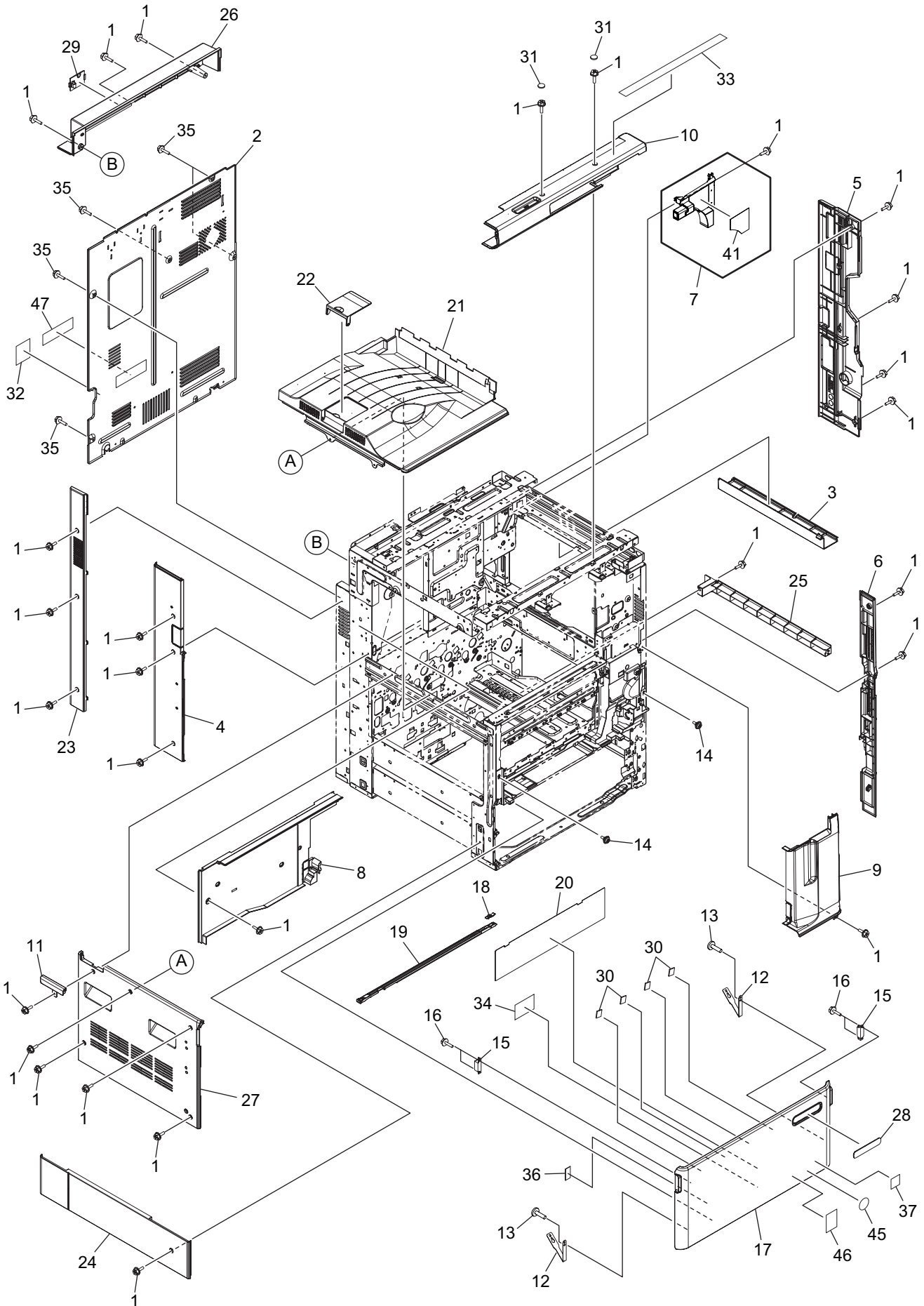


45. TRAYUP-MOT-ASY

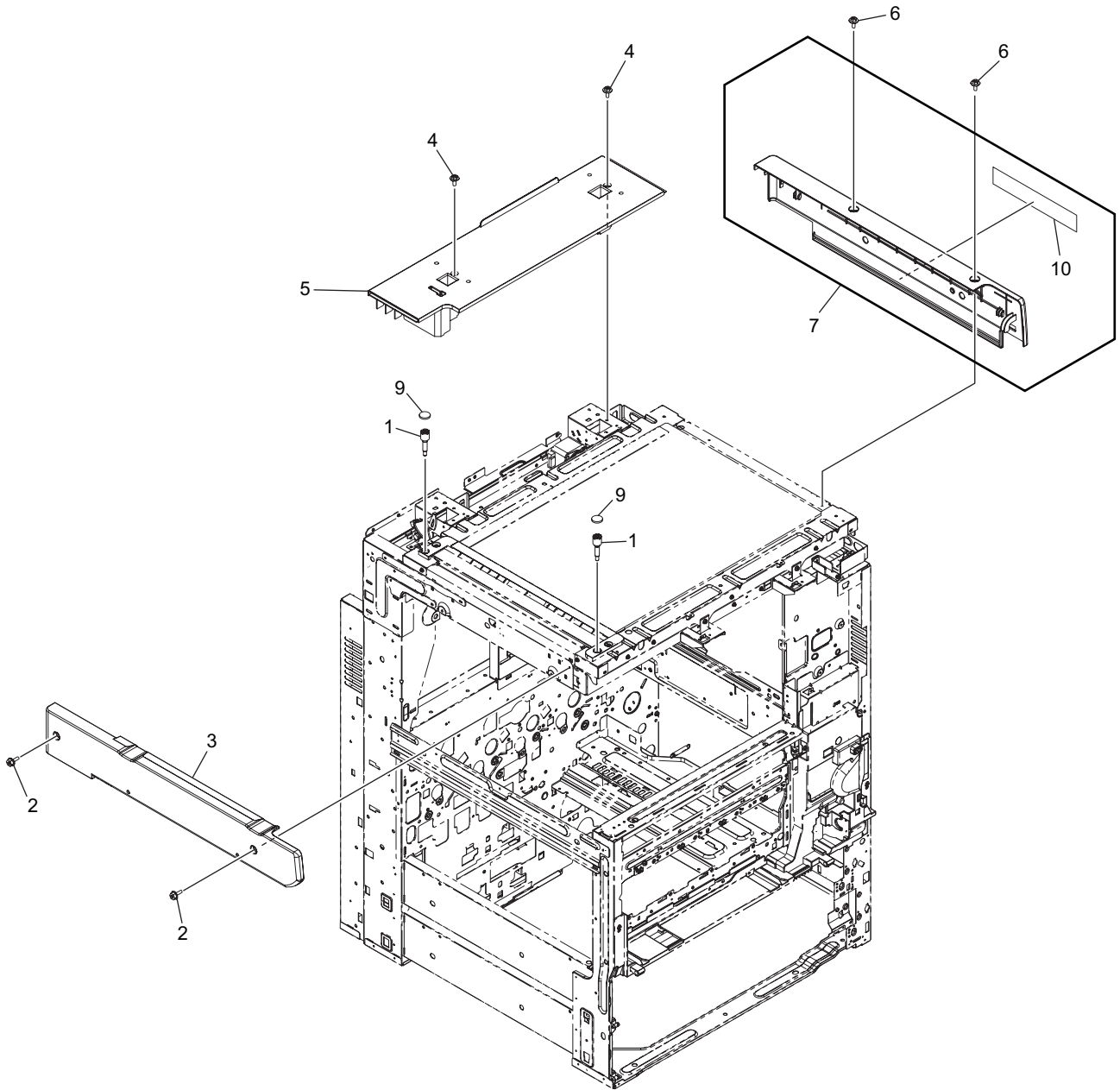


46. FEEDER-DRIVE-ASY

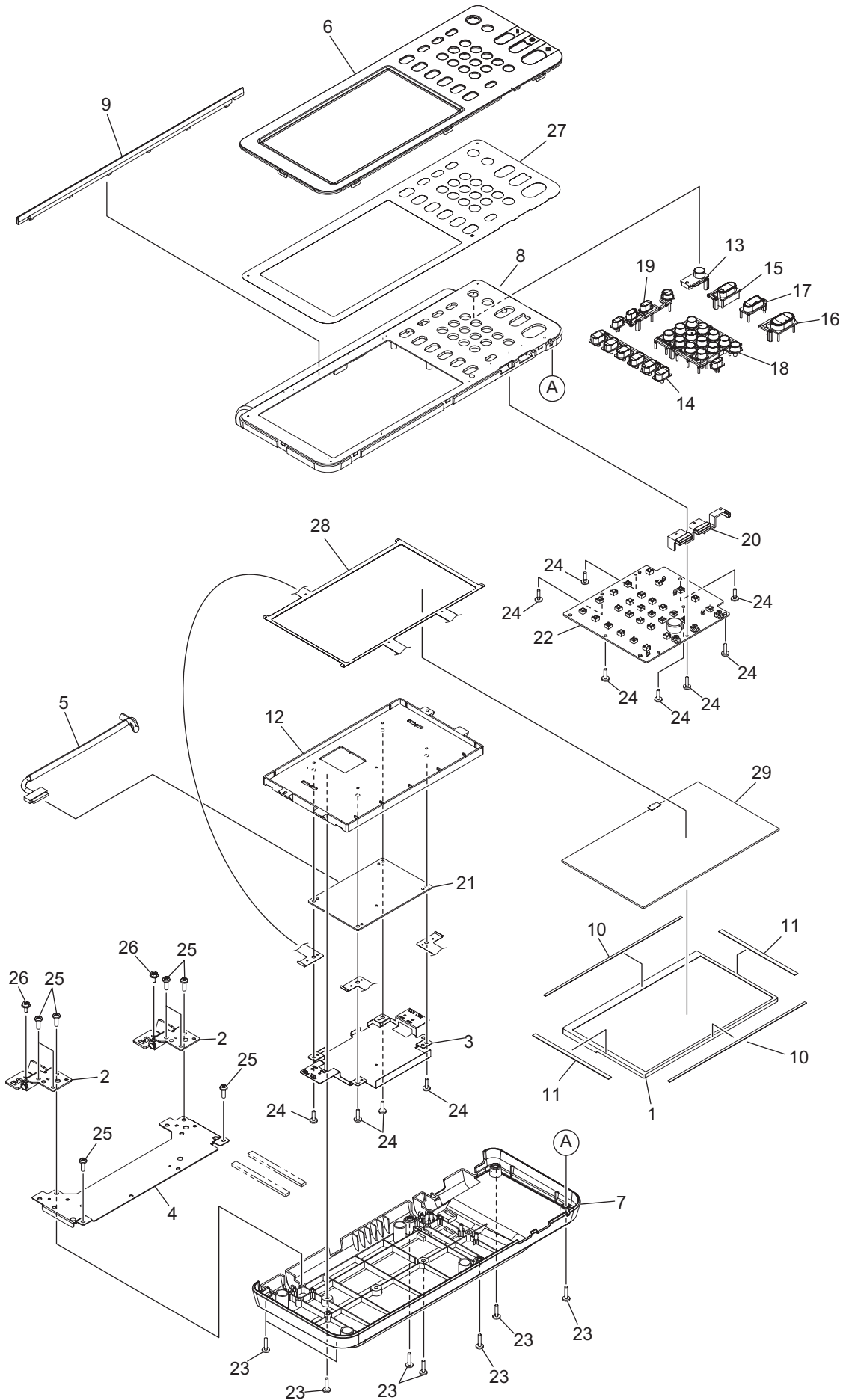




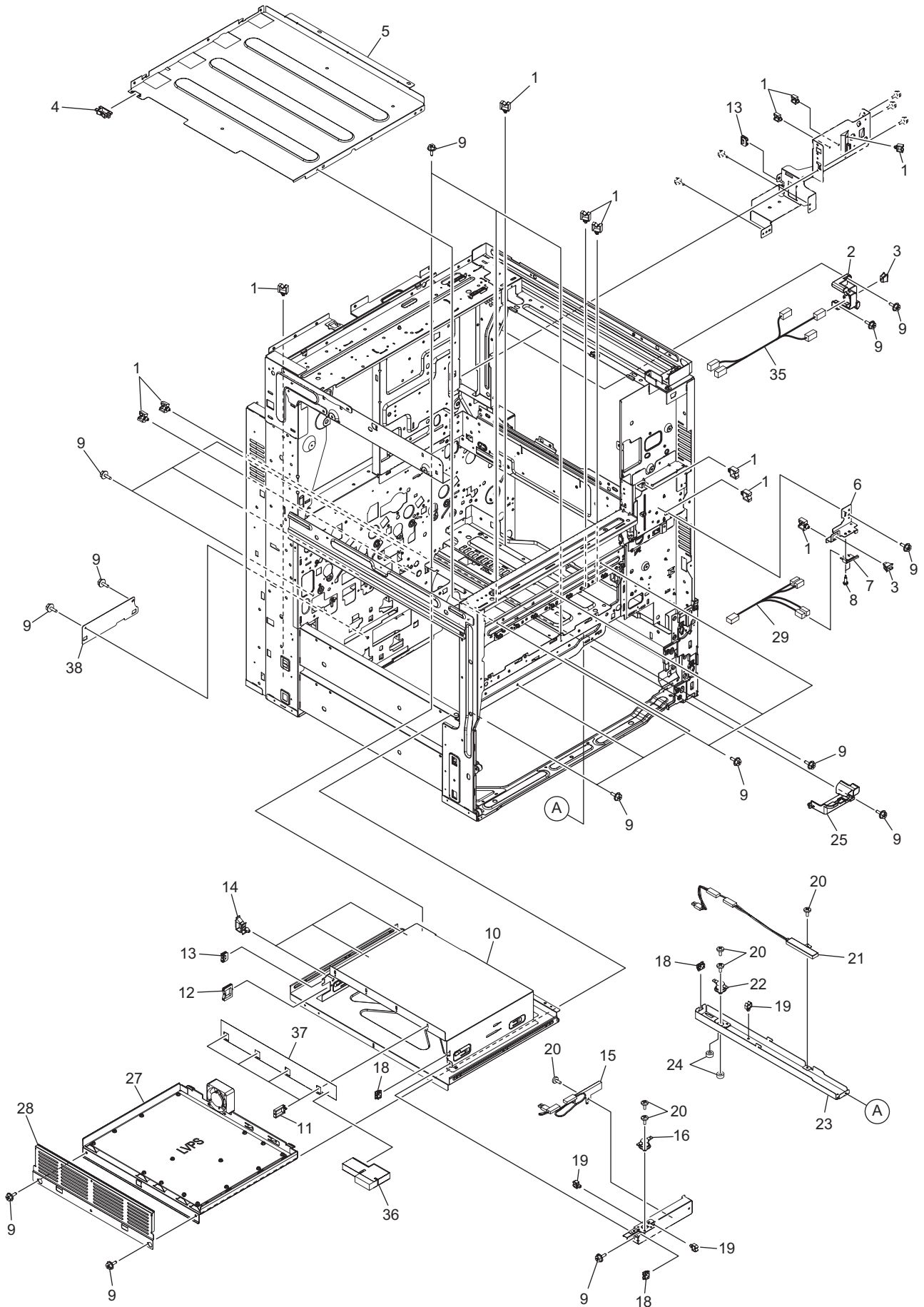
ITEM No.	PART No.	PART NAME	Q'TY / PAGE	Q'TY / PACK	REMARKS
1	X0-02420000	S/TPS/FHEXM/R-3X8-ZU3	27	10/P	
2	6LJ53760000	COVER-REAR-H21Y	1	N/A***	
3	6LJ53717000	COVER-SCN-UNDER	1	1/PP	
4	6LJ53761000	COVER-LEFT-REAR	1	1/PP	
5	6LJ53746000	COVER-RIGHT-REAR-H21Y	1	1/PP	
6	6LJ53753000	COVER-FRT-PILLAR-R-H21Y	1	1/PP	
7	6LJ53754000	ASYS-COV-FUS-R-H21Y	1	1/P	
8	6LJ53707100	COVER-TRAY-BACK-H21Y	1	1/PP	
9	6LJ53762000	COVER-FRT-PILLAR	1	1/PP	
10	6LJ53726000	ASYS-COVER-TP-FRT	1	1/PP	
11	6LJ53719000	COVER-LEFT-2	1	1/P	
12	6LJ53767000	MYLAR-BAND-COVER-FRT-H21Y	2	1/P	
13	X0-01989000	S/TPP/BID-3X8-NI	2	10/P	
14	6LA08937000	SCREW-BKT-DEV	2	10/P	
15	F0-01564000	CA-0168C	2	5/P	
16	X0-02248000	S/TPP/FHEXM-3X10-NI	4	10/P	
17	6LJ53752000	COVER-FRONT-H21Y	1	1/PP	
18	6LJ54679000	ASYS-PAD-CLNR-LED	1	1/P	
19	6LJ54762000	ASYS-ROD-CLNR-LED	1	1/P	
20	6LJ68232000	SHEET-GUIDANCE-H21X	1	1/KP	
21	6LJ53764000	COVER-TRAY-H21X-EL	1	1/PP	
22	6LH52423100	COVER-STOP-PAPER-470-N	1	1/P	
23	6LJ53747000	COVER-LEFT-REAR2-H21Y	1	1/PP	
24	6LJ69439000	COVER-LEFT-PFU	1	1/PP	
25	6LJ69442000	COVER-R-LOW-PFU	1	1/PP	
26	6LJ53751000	COVER-REAR-TOP-H21Y	1	1/PP	
27	6LJ53732100	COVER-LEFT-H21Y	1	1/PP	
28 A	6LJ53763000	ASYS-COVER-EMBLEM-2555	1	1/P	e-STUDIO2555C
28 B	6LJ53763100	ASYS-COVER-EMBLEM-3055	1	1/P	e-STUDIO3055C
28 C	6LJ53763200	ASYS-COVER-EMBLEM-3555	1	1/P	e-STUDIO3555C
28 D	6LJ53763300	ASYS-COVER-EMBLEM-4555	1	1/P	e-STUDIO4555C
28 E	6LJ53763400	ASYS-COVER-EMBLEM-5055	1	1/P	e-STUDIO5055C
28 F	6LJ53763500	ASYS-COVER-EMBLEM-2555SE	1	1/P	e-STUDIO2555SE
28 G	6LJ53763600	ASYS-COVER-EMBLEM-3055SE	1	1/P	e-STUDIO3055SE
28 H	6LJ53763700	ASYS-COVER-EMBLEM-3555SE	1	1/P	e-STUDIO3555SE
28 I	6LJ53763800	ASYS-COVER-EMBLEM-4555SE	1	1/P	e-STUDIO4555SE
28 J	6LJ53763900	ASYS-COVER-EMBLEM-5055SE	1	1/P	e-STUDIO5055SE
29	6LE40929200	COVER-DF-CONNECT-H21Y	1	1/P	
30	6LE28803000	SEAL-LIDTNR-380	4	N/A***	
31	6LH56607000	LID-SCREW-470	2	5/P	
32 A	44204604000	LBL-SERVICE-45	1	5/P	NAD,AUD,ASD,ARD
32 B	6LA56227000	LBL-SERVICE-45C	1	5/KP	CND
33 A	6LJ68239000	LBL-PROHIBIT-C-H21X	1	1/KP	CND
33 B	6LJ68238000	LBL-PROHIBIT-E-H21X	1	1/KP	MJD,AUD,ASD,ARD
33 C	6LJ68236000	LBL-PROHIBIT-U-H21X	1	1/KP	NAD
34	4406550190	LBL-HVT-BIT	1	5/P	
35	X0-02230000	S/FHEXM-M3X6-NI	5	10/P	
36	6LJ53768000	MYLAR-COV-FRONT	1	1/P	
37	6LH88546000	LBL-ENERGY-T-PP	1	5/P	
41	6LJ58781000	LBL-HOT-H21Y	1	1/P	
45 A	6LE48967000	LABEL-ECO-CND	1	5/P	CND
46 A	6LJ68332100	LBL-ENERGY-CND-3555C	1	N/A***	CND
47 A	6LJ68281000	LBL-NAD-FCC-NEW	1	1/P	NAD



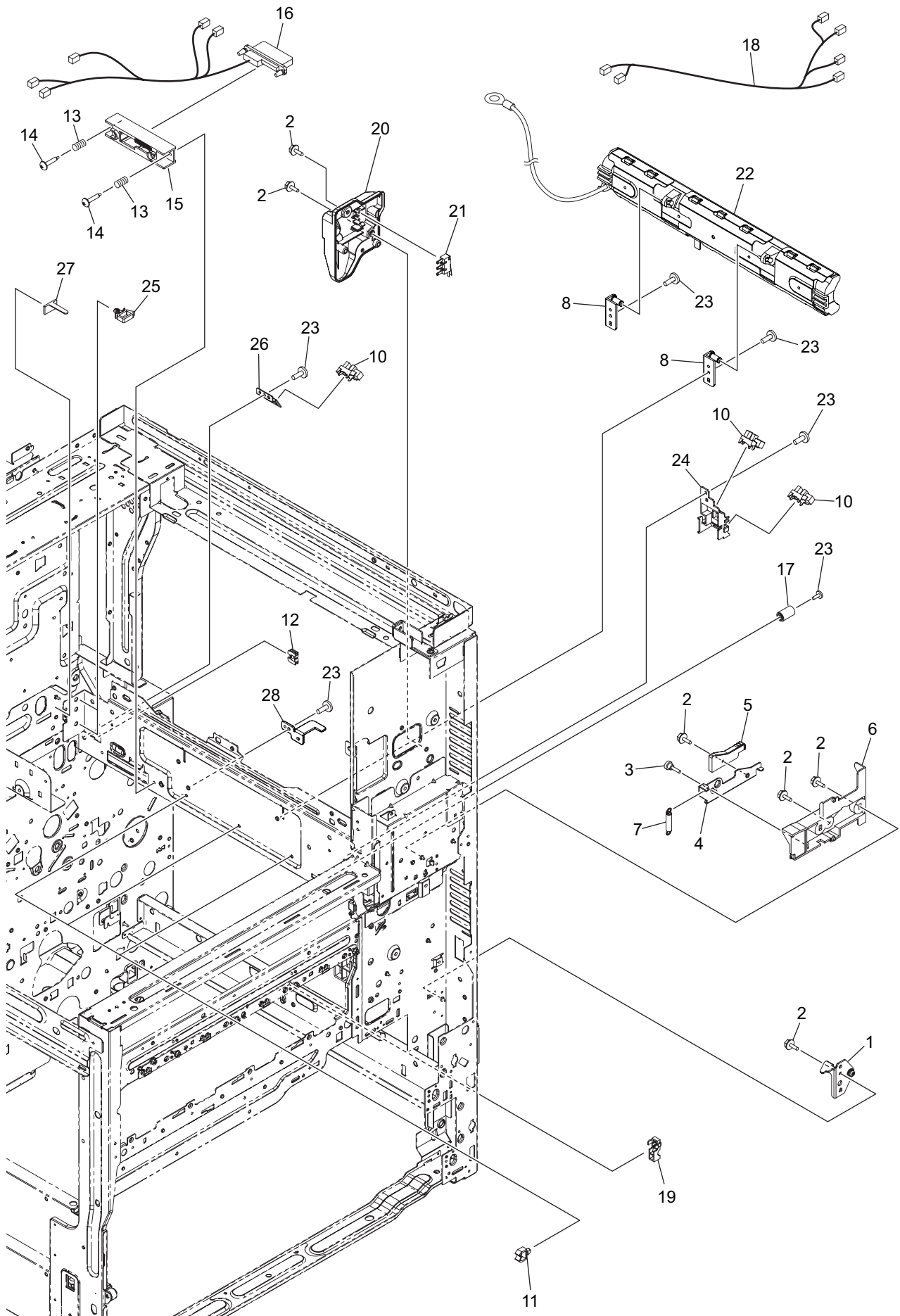
ITEM No.	PART No.	PART NAME	Q'TY / PAGE	Q'TY / PACK	REMARKS
1	6LJ59784000	LOCK-CRG-H21X	2	1/P	
2	X0-02420000	S/TPS/FHEXM/R-3X8-ZU3	2	10/P	
3	6LJ59793000	COVER-TP-LFT-H21X	1	1/PP	
4	X0-02235000	S/FHEXM-M4X8-NI	2	10/P	
5	6LJ59841000	COVER-TP-RER-H21X	1	1/PP	
6	X0-02230000	S/FHEXM-M3X6-NI	2	10/P	
7	6LJ59792000	ASYS-COV-TP-RGT-H21X	1	1/PP	
9	6LH56607000	LID-SCREW-470	2	5/P	
10	6LA47633000	LBL-HOT-350-2	1	1/KP	



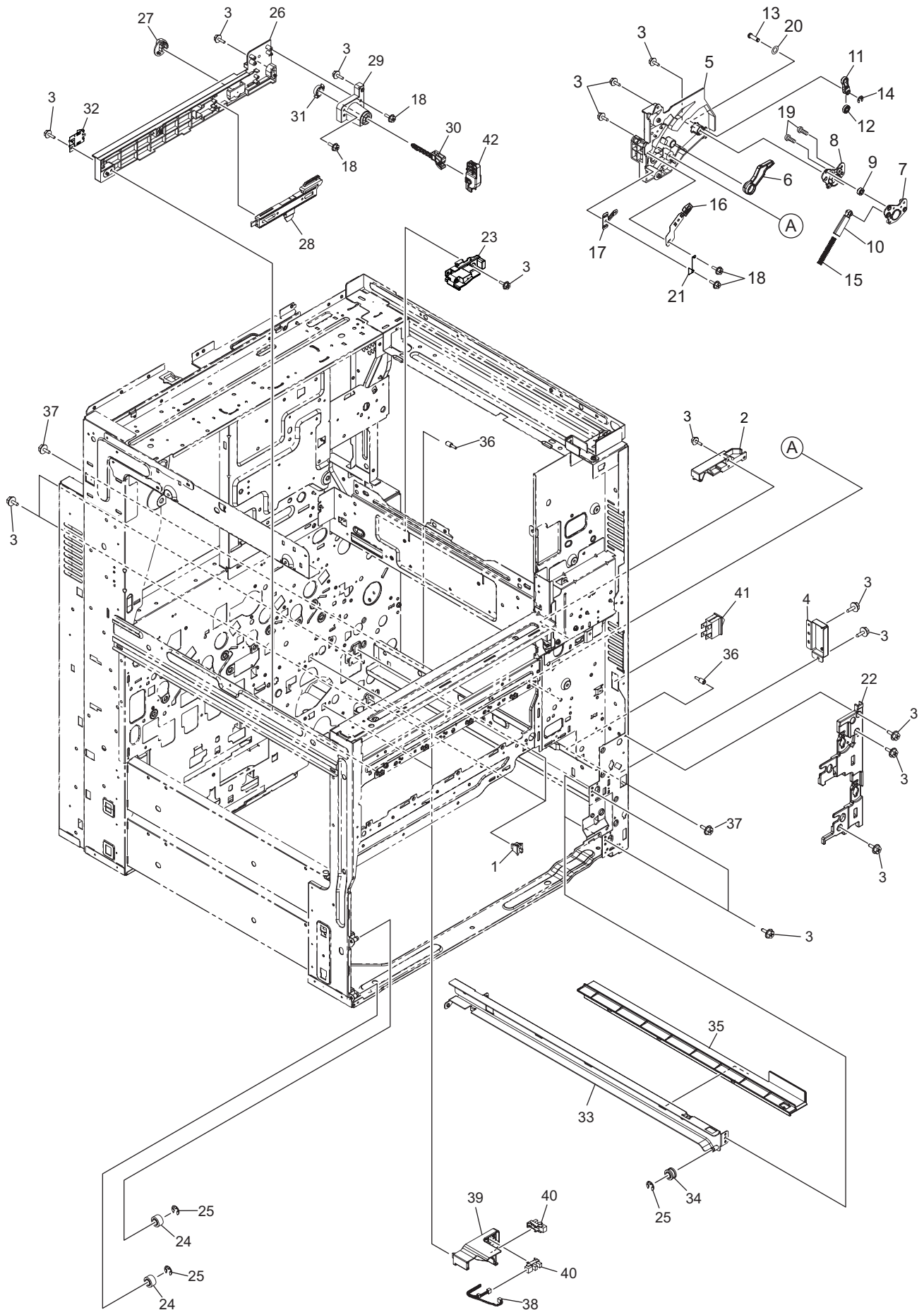
ITEM No.	PART No.	PART NAME	Q'TY / PAGE	Q'TY / PACK	REMARKS
1	6LJ53405000	ASYS-DSP-LCD-H21X	1	1/PP	
2	6LJ53433000	ASYS-HINGE-H21X	2	1/P	
3	6LJ53406000	ASYS-SHIELD-PLATE	1	1/P	
4	6LJ53412000	BRACKET-BASE	1	1/P	
5	6LJ53467000	CABLE-IF-H21Y	1	1/P	
6	6LJ53416000	COV-CONP-CLEAR-H21X	1	1/PP	
7	6LJ53415000	COVER-CONPANE-LWR-H21X	1	1/PP	
8	6LJ53414000	COVER-CONPANE-UPR-H21X	1	1/PP	
9	6LJ53432000	COVER-UPR-RIM	1	1/P	
10	6LJ53451000	CUSHION-LCD-L-H21X	2	1/P	
11	6LJ53452000	CUSHION-LCD-S-H21X	2	1/P	
12	6LJ53411000	HOLDER-LCD-H21X	1	1/PP	
13	6LJ53468000	KEY-ENERGY-H21X	1	1/P	
14	6LJ53424000	KEY-FUNCTION	1	1/C	
15	6LJ53420000	KEY-RESET-H21X-U	1	1/C	
16	6LJ53428000	KEY-START	1	1/C	
17	6LJ53429000	KEY-STOP	1	1/C	
18	6LJ53425000	KEY-TEN-H21X	1	1/C	
19	6LJ53423000	KEY-USER-FUNC-H21X	1	1/C	
20	6LJ53418000	LID-LED-H21X	1	1/P	
21	6LJ53430000	PWA-DISP-H21X	1	1/SB	
22	6LJ53431000	PWA-KEY-H21X	1	1/SB	
23	X0-02596000	S/TPP/BID-3X10-NI	8	10/P	
24	X0-01989000	S/TPP/BID-3X8-NI	11	10/P	
25	X0-02036000	S/TPP/PAN-4X10-NI	8	N/A***	
26	X0-02420000	S/TPS/FHEXM/R-3X8-ZU3	2	10/P	
27 A	6LJ53417200	SHEET-PANEL-H21X-C	1	1/P	CND
27 B	6LJ53417000	SHEET-PANEL-H21X-U	1	1/KP	NAD,MJD,AUD,ASD,ARD
28	6LJ53402000	SHIELD-LCD-AL	1	1/KP	
29	6LJ53410000	TOUCHPANEL-FC	1	1/C	



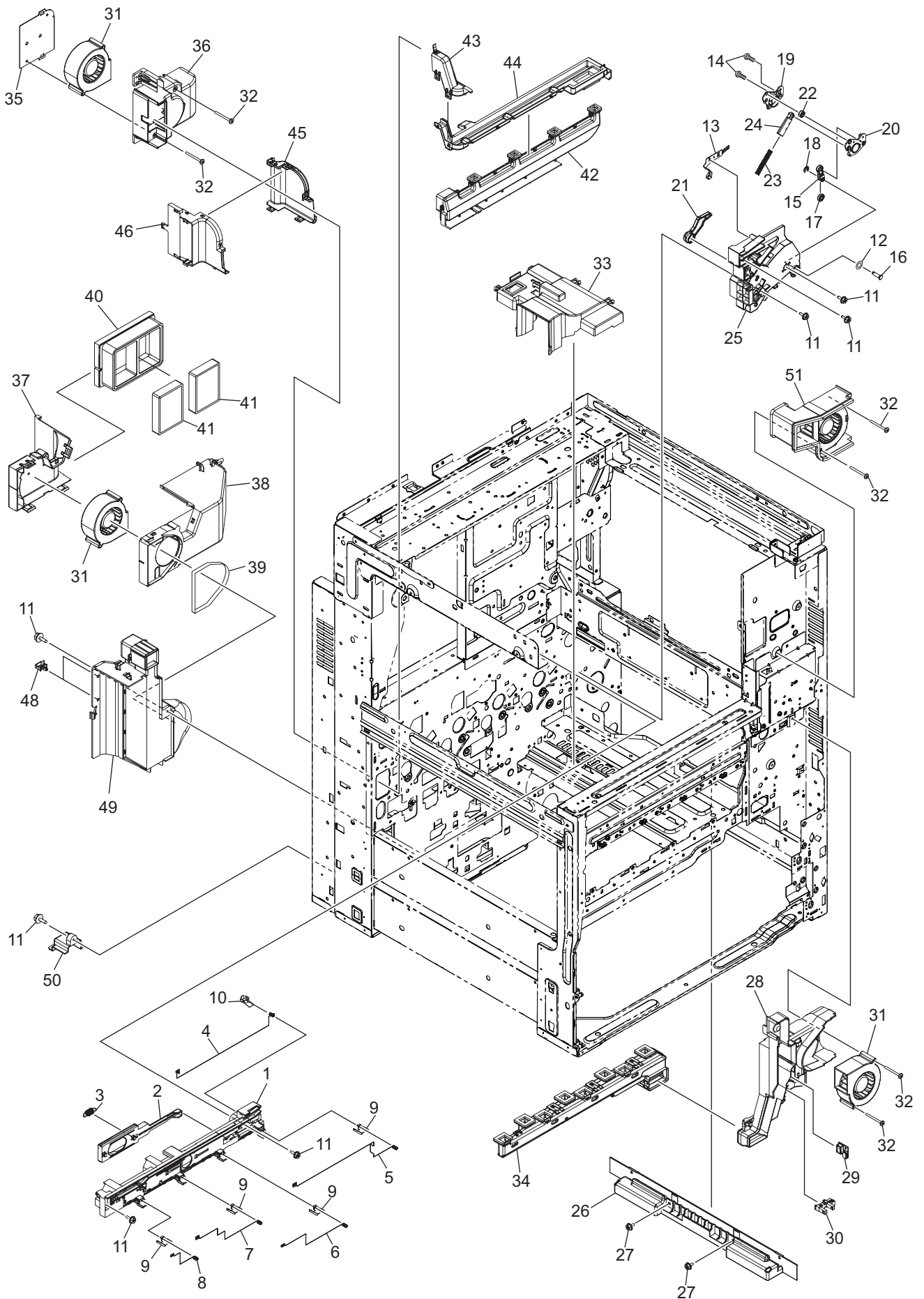
ITEM No.	PART No.	PART NAME	Q'TY / PAGE	Q'TY / PACK	REMARKS
1	F0-01250000	MSB-1207	12	5/P	
2	6LJ52416000	HOLD-ADU-HOOK-R-H21Y	1	1/P	
3	E0-01853000	CS1A-B2CA	2	1/D	
4	F0-01248000	ESC-0912	1	10/P	
5	6LJ52305100	STAY-TOP-H21Y	1	N/A***	
6	6LJ52414000	BRKT-INTERLOCK-SW-H21Y	1	1/P	
7	E0-08294000	DE2L-BALG	1	1/D	
8	44204394000	SCREW20*D23	2	10/P	
9	X0-02420000	S/TPS/FHEXM/R-3X8-ZU3	22	10/P	
10	6LJ52438000	ASYS-PLATE-MID-H21Y	1	N/A***	
11	F0-01263000	RWS-3T V0	4	5/P	
12	F0-00047000	EDS-1717U	1	10/P	
13	F0-00120000	ES-0505	2	5/P	
14	F0-01811000	LWS-0711S-V0	3	5/P	
15 A	6LJ60546200	HEATR-DRUM2-210-E	1	1/C	AUD,ASD,CND,ARD
16 A	6LJ61274000	THRMST-DAMP2-CS7L-H212	1	1/D	AUD,ASD,CND,ARD
18 A	F0-00671000	EDS-0607M	3	5/P	AUD,ASD,CND,ARD
19 A	F0-00270000	UAMS-05L-0-46	3	10/P	AUD,ASD,CND,ARD
20 A	X0-00430000	S/BID-M3X6-NI	6	10/P	AUD,ASD,CND,ARD
21 A	6LJ60545200	HEATR-DRUM1-210-E	1	1/C	AUD,ASD,CND,ARD
22 A	6LJ60731000	THRMST-DAMP1-CS7L-210	1	1/D	AUD,ASD,CND,ARD
23	6LJ52366000	ASYS-BRKT-HTR-M-H21X	1	N/A***	
24 A	6LE25210000	CUSH-FRM-SCREW-380	2	1/P	AUD,ASD,CND,ARD
25 A	6LJ52456000	ASYS-COV-HTR-MID-H21Y	1	1/P	AUD,ASD,CND,ARD
27	6LJ61239000	ASYB-PSU-H21X-H	1	1/SB	
28	6LJ53724000	PLATE-SHLD-LEFT	1	1/P	
29	6LJ61244000	HRNS-LVPS-INLCSW-212	1	1/P	
35	6LJ61405000	HRNS-LGC-RELAY-212	1	1/P	
36 A	6LJ54758000	ASYS-SEAL-LVPS-FRT	1	1/P	e-STUDIO4555C/5055C
37 A	6LJ54756000	SHEET-COVER-LVPS-SIDE	1	1/KP	e-STUDIO4555C/5055C
38	6LJ66759000	PLATE-BLIND-PFP	1	1/P	



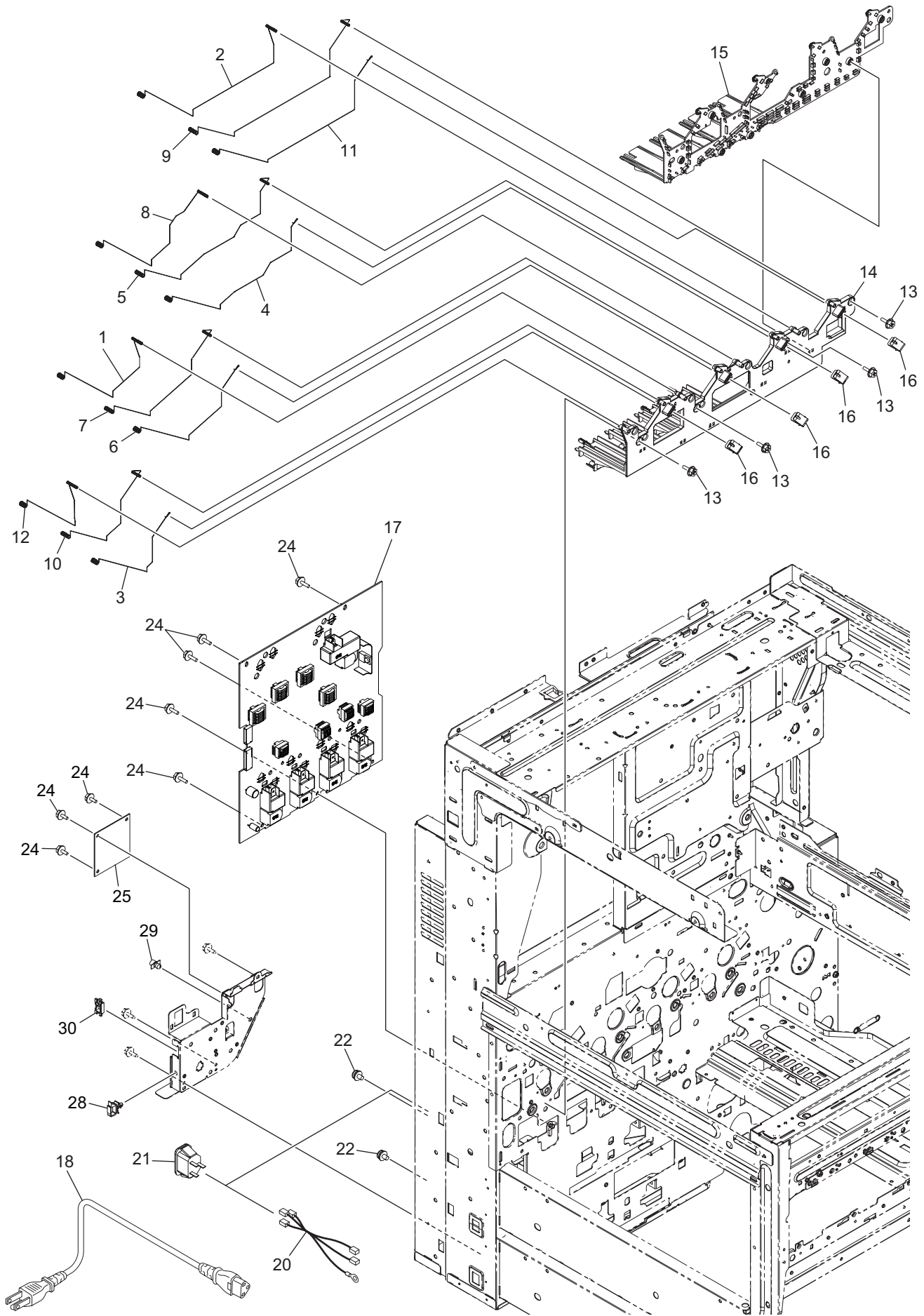
ITEM No.	PART No.	PART NAME	Q'TY / PAGE	Q'TY / PACK	REMARKS
1	6LJ57337000	ASYB-HINGE-F	1	1/P	
2	X0-02420000	S/TPS/FHEXM/R-3X8-ZU3	6	10/P	
3	6LA65683000	SCREW-HLDR-MG	1	10/P	
4	6LJ58744000	LEVER-FUS-F	1	1/P	
5	6LJ58745000	COVER-LVR-FUS-F	1	1/P	
6	6LJ58738000	GUIDE-FUS-F	1	1/PP	
7	6LJ58761000	SPG-E-LVR-LOCK-F-H21Y	1	1/P	
8	6LJ58828000	ASYS-STAY-IHUNIT-H21X	2	1/P	
10	C0-17839000	LG2A14BL1	3	1/C	
11	F0-00270000	UAMS-05L-0-46	3	10/P	
12	F0-00120000	ES-0505	1	5/P	
13	6LA14468000	SPC068-080-160	2	5/P	
14	4406326040	SCREW-D4-18-M3	2	10/P	
15	6LJ58705000	HLDR-DRW-FRM-L-H212	1	1/P	
16	6LJ61026000	HRNS-LVPS-IH-H212	1	1/P	
17	6LJ58759000	SPG-C-PUSH-FUS-F-H21Y	1	1/P	
18	6LJ61478000	HRNS-LGC-FUSER-212	1	1/P	
19	6LJ56357000	BUSH-ROL-6	1	1/P	
20	6LJ52415000	HOLD-ADU-HOOK-F-H21Y	1	1/P	
21	E0-08294000	DE2L-BALG	1	1/D	
22 A	6LJ58857000	ASYB-IHCOIL-H21X-100	1	1/C	eS2555C/3055C/3555C NAD
22 B	6LJ58857200	ASYB-IHCOIL-H21X-H100	1	1/C	eS4555C/5055C NAD
22 C	6LJ58857100	ASYB-IHCOIL-H21X-200	1	1/C	eS2555C/3055C/3555C MJD,AUD,ASD,CND,ARD
22 D	6LJ58857300	ASYB-IHCOIL-H21X-H200	1	1/C	eS4555C/5055C MJD,AUD,ASD,CND,ARD
23	X0-02069000	S/TPS/BID-3X6-ZU3	6	10/P	
24	6LJ58808000	HLDR-SNSR-FUS-F-H21Y	1	1/P	
25	F0-01810000	LWS-0511S-V0	2	5/P	
26	6LJ58728000	BRKT-SNSR-FUS-R-CAM	1	1/P	
27	F0-00136000	K-103G	1	5/P	
28	6LJ58852000	SUPPT-COIL-IH-H21Y	1	1/P	



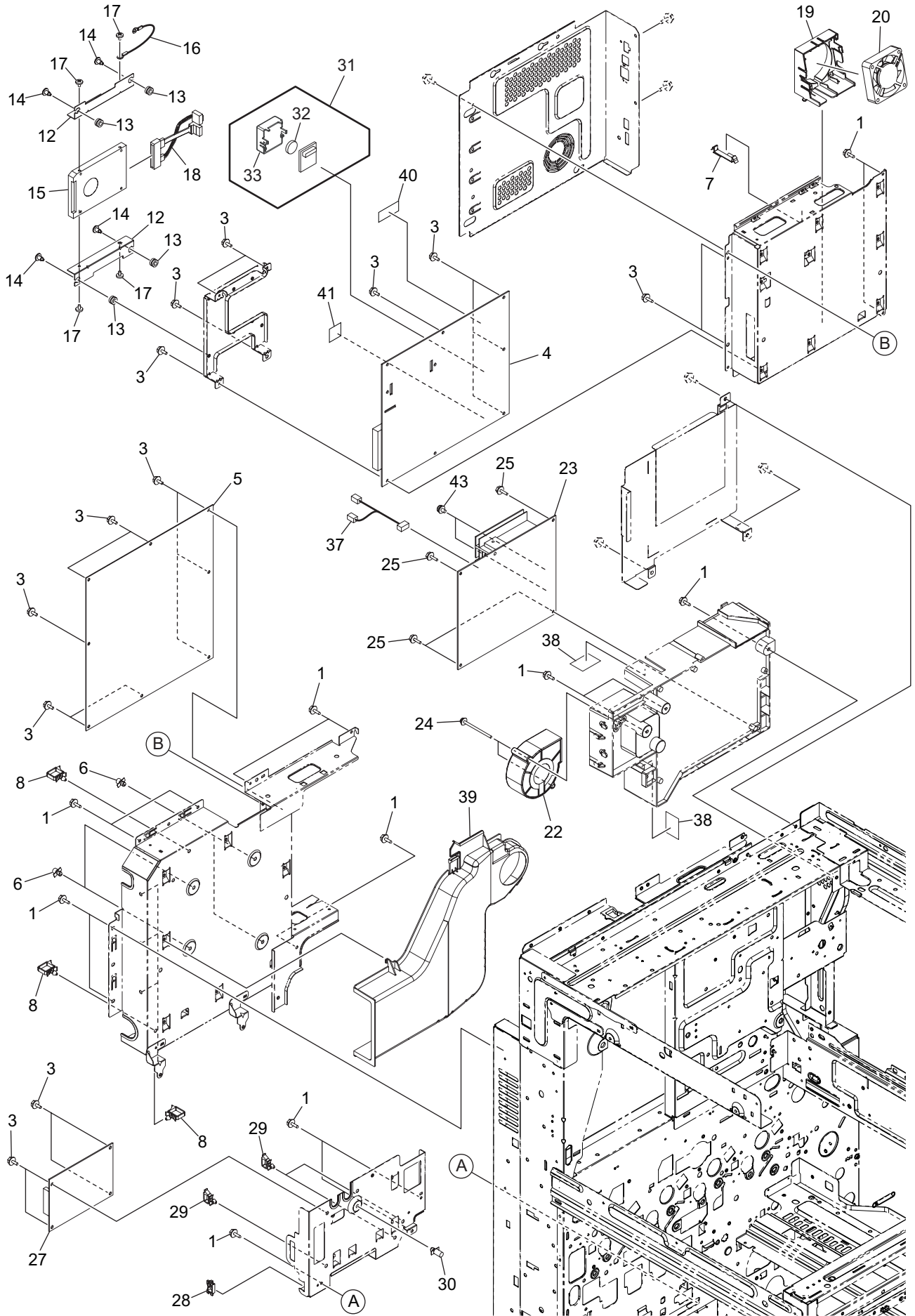
ITEM No.	PART No.	PART NAME	Q'TY / PAGE	Q'TY / PACK	REMARKS
1	E0-01853000	CS1A-B2CA	2	1/D	
2	6LJ55504000	GUIDE-RAIL-TBU-F	1	1/P	
3	X0-02420000	S/TPS/FHEXM/R-3X8-ZU3	17	10/P	
4	6LJ52439000	BRKT-BEAM-SFB-SUB	1	1/P	
5	6LJ55930000	FRM-PUSH-TRU-F	1	1/PP	
6	6LJ55903000	PUSHER-TRU-WEISS	1	1/P	
7	6LJ55909000	LINK-PUSH-TRU-A	1	1/P	
8	6LJ55910000	LINK-PUSH-TRU-B	1	1/P	
9	6LJ55904000	COLLAR-TRU-PUSH-WEISS	1	1/P	
10	6LJ55900000	HLDR-SP-TRU	1	1/P	
11	6LJ55905000	ROD-HLDR-COLLAR	1	1/P	
12	6LJ55911000	COLLAR-LINK-ADU	1	1/P	
13	6LJ55968000	SHAFT-TRU-LOCK	1	1/P	
14	X0-00964000	RR/E-3-SS	1	10/P	
15	6LJ55934000	SPG-C-TR2-H21X	1	1/P	
16	6LJ55945000	ASYS-TRU-GND-F	1	1/P	
17	6LJ55908000	SPG-F-RGST-GND	1	1/P	
18	X0-02247000	S/TPP/FHEXM-3X8-NI	4	10/P	
19	X0-00595000	S/TPP/PAN-3X6-NI	2	10/P	
20	6LJ55953000	WSHR-4R1X7XR25-APS	1	1/P	
21	6LJ55954000	WIRE-GND-RGST	1	1/P	
22	6LJ53749000	COV-FRT-PILLAR-CST-H21Y	1	1/PP	
23	6LJ55187000	ASYB-LVR-TBU-CPL	1	1/P	
24	6LJ69393000	ROLL-RAIL-CST-H21X-2	2	1/P	
25	X0-00966000	RR/E-5-SS	4	10/P	
26	6LJ55514000	RAIL-TBU-F-H21X	1	1/PP	
27	6LJ55587000	GEAR-LINK-TBU-RAIL	1	1/P	
28	6LJ55483000	SLIDER-LIFT-K	1	1/P	
29	6LJ55570000	BRKT-LEVER-TBU	1	1/P	
30	6LJ55564000	SHAFT-LIFT-H21Y	1	1/P	
31	6LJ55569000	GEAR-LINK-TBU-LVR	1	1/P	
32	6LJ55441000	SPG-F-PUSH-TBU-CL	1	1/P	
33	6LJ66828000	ASYS-RAIL-CST-RIGHT-PFP	2	1/PP	
34	6LJ69392000	ROLL-RAIL-CST-H21X-1	2	1/P	
35	6LJ66705000	RAIL-FEED-UNIT-L-PFP	2	1/PP	
36	6LJ56356000	STUD-HOOK-COV-H21Y-N	2	1/P	
37	X0-02230000	S/FHEXM-M3X6-NI	2	10/P	
38	6LJ61095000	HRNS-PFP-EMP-212	2	1/P	
39	6LJ56265000	HOLDER-SNSR-FS-H21X_H	2	1/P	
40	C0-17839000	LG2A14BL1	4	1/C	
41	E0-14534000	CF-LA-2KZ2-1C	1	1/C	
42	6LJ55565000	LEVER-TBULIFT-H21Y	1	1/P	



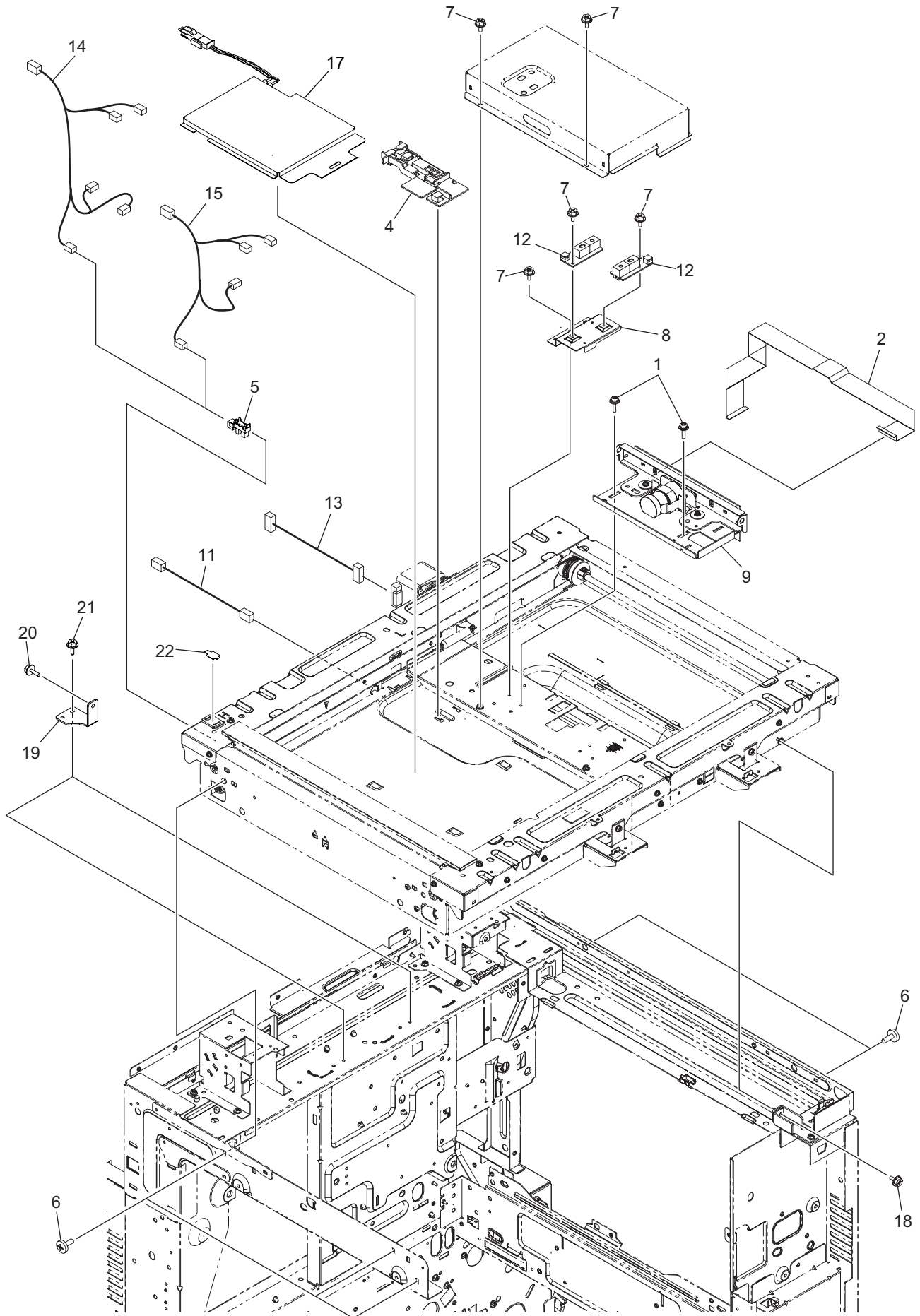
ITEM No.	PART No.	PART NAME	Q'TY / PAGE	Q'TY / PACK	REMARKS
1	6LJ55435000	RAIL-TBU-R-H21X	1	1/PP	
2	6LJ55422000	LINK-COUPLE-TR1	1	1/P	
3	6LJ55471000	SPG-E-COUPLE-TR1	1	1/P	
4	6LJ55461000	SPG-RAIL-HVT-TR2-H21X	1	1/P	
5	6LJ55460000	SPG-RAIL-HVT-K-H21X	1	1/P	
6	6LJ55459000	SPG-RAIL-HVT-C-H21X	1	1/P	
7	6LJ55458000	SPG-RAIL-HVT-M-H21X	1	1/P	
8	6LJ55457000	SPG-RAIL-HVT-Y-H21X	1	1/P	
9	6LJ55439000	SPG-F-BIAS-HV-H21X	4	1/P	
10	6LJ55440000	SPG-F-BIAS-HV-TR2	1	1/P	
11	X0-02420000	S/TPS/FHEXM/R-3X8-ZU3	7	10/P	
12	6LJ55953000	WSHR-4R1X7XR25-APS	1	1/P	
13	6LJ55946000	ASYS-TRU-GND-R	1	1/P	
14	X0-00595000	S/TPP/PAN-3X6-NI	2	10/P	
15	6LJ55905000	ROD-HLDR-COLLAR	1	1/P	
16	6LJ55968000	SHAFT-TRU-LOCK	1	1/P	
17	6LJ55911000	COLLAR-LINK-ADU	1	1/P	
18	X0-00964000	RR/E-3-SS	1	10/P	
19	6LJ55910000	LINK-PUSH-TRU-B	1	1/P	
20	6LJ55909000	LINK-PUSH-TRU-A	1	1/P	
21	6LJ55903000	PUSHER-TRU-WEISS	1	1/P	
22	6LJ55904000	COLLAR-TRU-PUSH-WEISS	1	1/P	
23	6LJ55934000	SPG-C-TR2-H21X	1	1/P	
24	6LJ55900000	HLDR-SP-TRU	1	1/P	
25	6LJ55967000	FRM-PUSH-TRU-R	1	1/PP	
26	6LJ53736000	COVER-RIGHT-BOTTOM	1	1/PP	
27	X0-02593000	S/TPD3/FHEXM-3X8-ZU3	2	10/P	
28	6LJ53130000	DUCT-FRONT-FAN-H21Y	1	1/P	
29	D0-32012000	CHS-CGC5-28	1	1/P	
30	C0-13512000	LG285L2-R	1	1/C	
31	6LH09500000	FAN-P7530-430M	3	1/D	
32	X0-00461000	S/BID-M4X35-NI	6	10/P	
33	6LJ53139000	DUCT-LVPS-H21Y	1	1/P	
34	6LJ53150000	ASYS-DUCT-DEV-OZN-F-H21Y	1	1/PP	
35	6LJ53146000	PLT-DUCT-DEV-FAN-H21Y	1	1/P	
36	6LJ53138000	DUCT-DEV-FAN-H21Y	1	1/P	
37	6LJ53142000	DUCT-OZN-FAN-R-H21Y	1	1/P	
38	6LJ53141000	DUCT-OZN-FAN-F-H21Y	1	1/P	
39	6LJ53155000	SEAL-DUCT-OZN-FAN-H21Y	1	1/KP	
40	6LJ53170000	ASYS-HLD-OZN-FIL-H21Y	1	1/P	
41	6LJ53151000	FILTER-OZN-SCA-713A	2	1/P	
42	6LJ53148000	ASYS-DUCT-OZN-REAR-H21Y	1	1/PP	
43	6LJ53177000	ASYS-DUCT-DEV-REAR1-H21Y	1	1/P	
44	6LJ53178000	ASYS-DUCT-DEV-REAR2-H21Y	1	1/P	
45	6LJ53137000	DUCT-DEV-PASS-L-H21Y	1	1/P	
46	6LJ53136000	DUCT-DEV-PASS-R-H21Y	1	1/P	
48	F0-01813000	LWS-1316S-V0	2	5/P	
49	6LJ53169000	ASYS-DUCT-OZN-R-PASS-H21Y	1	1/P	
50	6LJ52842000	COVER-BOTTOM-HOLE-H21Y	1	1/P	
51	6LJ53154000	ASYB-EXIT-COOL-H21Y	1	1/C	



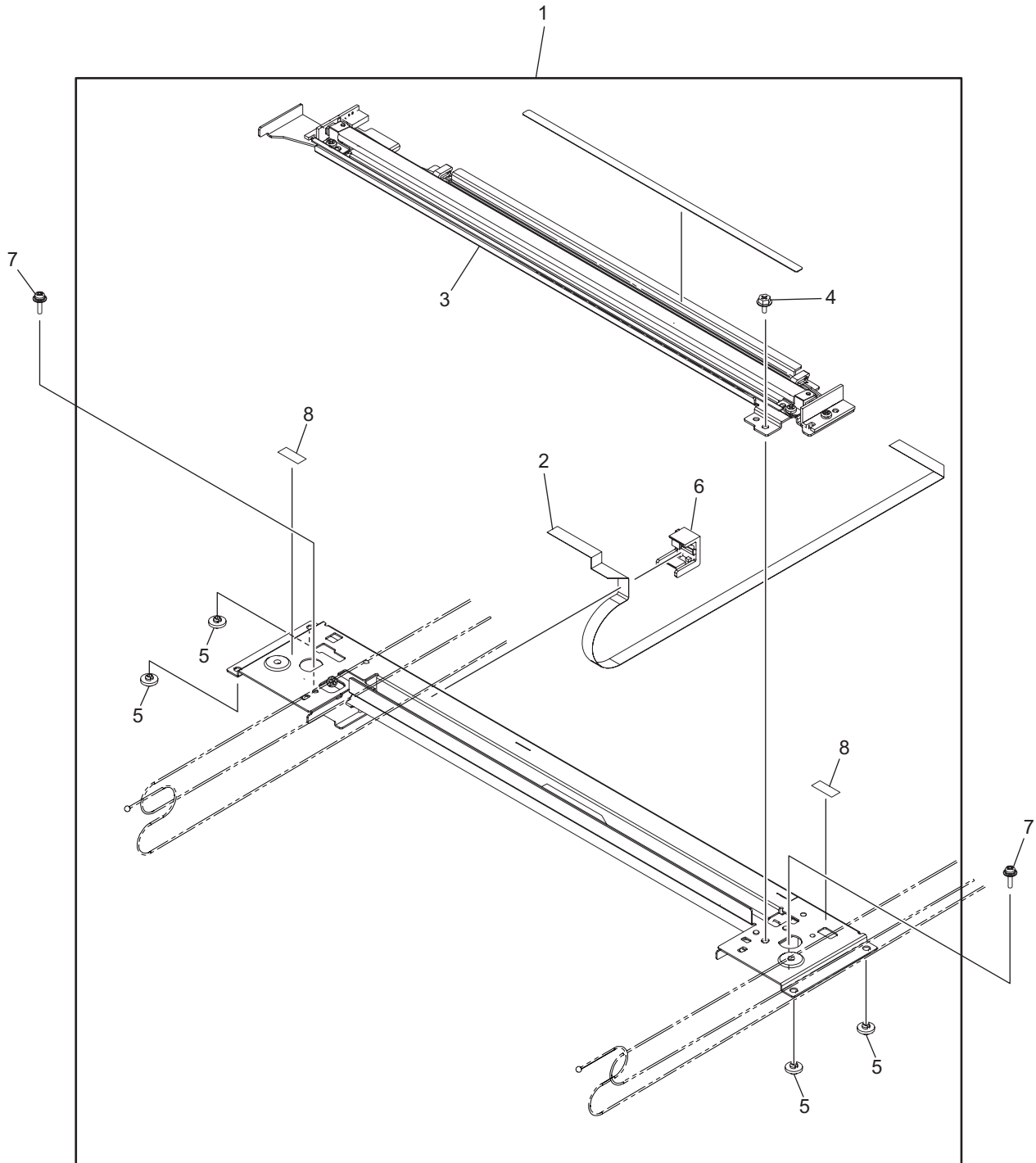
ITEM No.	PART No.	PART NAME	Q'TY / PAGE	Q'TY / PACK	REMARKS
1	6LJ54615000	SPG-BIASDEV-H21X-M	1	1/P	
2	6LJ54613000	SPG-BIASDEV-H21X-K	1	1/P	
3	6LJ54619000	SPG-BIASGRID-H21X-Y	1	1/P	
4	6LJ54621000	SPG-BIASGRID-H21X-C	1	1/P	
5	6LJ54611000	SPG-BIASMAIN-H21X-C	1	1/P	
6	6LJ54620000	SPG-BIASGRID-H21X-M	1	1/P	
7	6LJ54612000	SPG-BIASMAIN-H21X-M	1	1/P	
8	6LJ54614000	SPG-BIASDEV-H21X-C	1	1/P	
9	6LJ54617000	SPG-BIASMAIN-H21X-K	1	1/P	
10	6LJ54616000	SPG-BIASMAIN-H21X-Y	1	1/P	
11	6LJ54622000	SPG-BIASGRID-H21X-K	1	1/P	
12	6LJ54618000	SPG-BIASDEV-H21X-Y	1	1/P	
13	X0-02420000	S/TPS/FHEXM/R-3X8-ZU3	4	10/P	
14	6LJ54623000	HOLDER-HVEPU-H21X	1	1/PP	
15	6LJ54731000	LID-HVTEPU-H21X	1	1/PP	
16	6LJ54604000	SPG-F-CASE-H21X	4	1/P	
17	6LJ54735000	ASYB-PS-HVT-H212	1	1/SB	
18 A	6LE95824000	CABLE-P-INLET-AR	1	1/P	ARD
18 B	6LE95823000	CABLE-P-INLET-AU	1	1/P	AUD
18 C	6LJ60926000	CABLE-P-INLET-CCC	1	1/P	CND
18 D	6LE95822000	CABLE-P-INLET-EUR	1	1/P	MJD
18 E	6LJ60950000	CABLE-P-INLET-NAD-15A	1	1/P	NAD
18 F	6LE95825000	CABLE-P-INLET-UK	1	1/P	ASD
20	6LJ61022000	HRNS-INLET-LVPS-H212	1	1/P	
21	E0-12842000	AC-P10CF34	1	1/P	
22	6LJ52428000	USUITA-SPSEMS-4X6-6	2	5/P	
24	X0-02230000	S/FHEXM-M3X6-NI	8	10/P	
25 A	6LJ61288000	PWA-H-FIL-212U	1	1/SB	NAD
25 B	6LJ61288100	PWA-H-FIL-212E	1	1/SB	MJD,AUD,ASD,CND,ARD
28	F0-01811000	LWS-0711S-V0	1	5/P	
29	F0-00331000	SPSN-4U	1	5/P	
30	F0-01248000	ESC-0912	1	10/P	



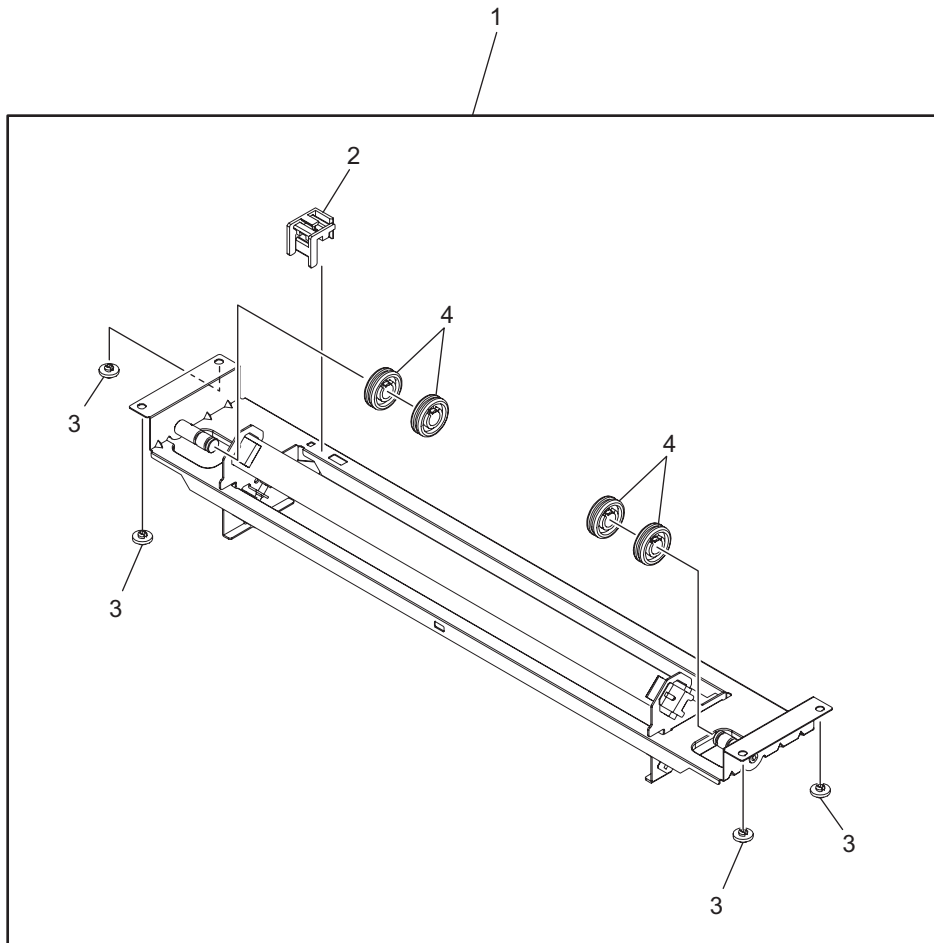
ITEM No.	PART No.	PART NAME	Q'TY / PAGE	Q'TY / PACK	REMARKS
1	X0-02420000	S/TPS/FHEXM/R-3X8-ZU3	15	10/P	
3	X0-02230000	S/FHEXM-M3X6-NI	22	10/P	
4 A	6LJ61368000	ASYB-PWA-SYS-212S	1	1/SB	e-STUDIO2555C/3055C/3555C
4 B	6LJ61368100	ASYB-PWA-SYS-214S	1	1/SB	e-STUDIO4555C/5055C
5 A	6LJ61277000	ASYB-LGC-212S	1	1/SB	e-STUDIO3055C
5 B	6LJ61277100	ASYB-LGC-213S	1	1/SB	e-STUDIO3555C
5 C	6LJ61277200	ASYB-LGC-214S	1	1/SB	e-STUDIO4555C
5 D	6LJ61277300	ASYB-LGC-215S	1	1/SB	e-STUDIO5055C
5 E	6LJ61277400	ASYB-LGC-216S	1	1/SB	e-STUDIO2555C
6	F0-00331000	SPSN-4U	4	5/P	
7	F0-01418000	RFC-33V0	1	1/P	
8	F0-01813000	LWS-1316S-V0	5	5/P	
12	6LJ12507000	BRKT-HDD-16X	2	1/P	
13	F0-01939000	VB-1006-95T	4	1/P	
14	6LH53114000	SCREW-HDD-CASE_M3	4	5/P	
15	G0-00677000	MK1661GSYG	1	1/C	
16	6LE78184000	HRNS-HDDFG-364	1	1/P	
17	X0-00426000	S/BID-M3X4-NI	4	10/P	
18	6LJ60985000	HRNS-HDD-210	1	1/P	
19	6LJ53113000	DUCT-SYS-FAN-H21X	1	1/P	
20	6LJ53114000	FAN_D-SYS-6015-H21X	1	1/D	
22	6LJ53173000	ASYS-IH-FAN-P7530-H21Y	1	1/C	
23 A	6LJ61445200	ASYB-IH-212E	1	1/SB	MJD,AUD,ASD,CND,ARD
23 B	6LJ61445100	ASYB-IH-212U	1	1/SB	NAD
24	X0-02484000	S/PAN/SWWP-M3X35-NI	2	10/P	
25	X0-02247000	S/TPP/FHEXM-3X8-NI	4	10/P	
27	6LJ61081000	PWA-H-DRV-212	1	1/SB	
28	F0-01248000	ESC-0912	1	10/P	
29	F0-01811000	LWS-0711S-V0	3	5/P	
30	F0-00334000	SPSN-8U	1	5/P	
31	6LH09585000	ASYB-SRAM-430S	1	1/C	
32	6LE90510000	LI-BAT-CR-2450	1	1/S	
33	6LH01123000	COVER-SRAM-BOARD	1	1/P	
37	6LJ60962000	HRNS-LGC-IH-212	1	1/P	
38	6LJ58786000	SHEET-CASE-IH	2	1/P	
39	6LJ53145000	DUCT-IH-COOL-H21Y	1	1/P	
40	6LJ61361000	SHEET-SHIELD-15X30-212	1	5/P	
41	6LJ61344000	SHEET-SHIELD-20X20-212	1	5/P	
43	6LJ52428000	USUITA-SPSEMS-4X6-6	2	5/P	



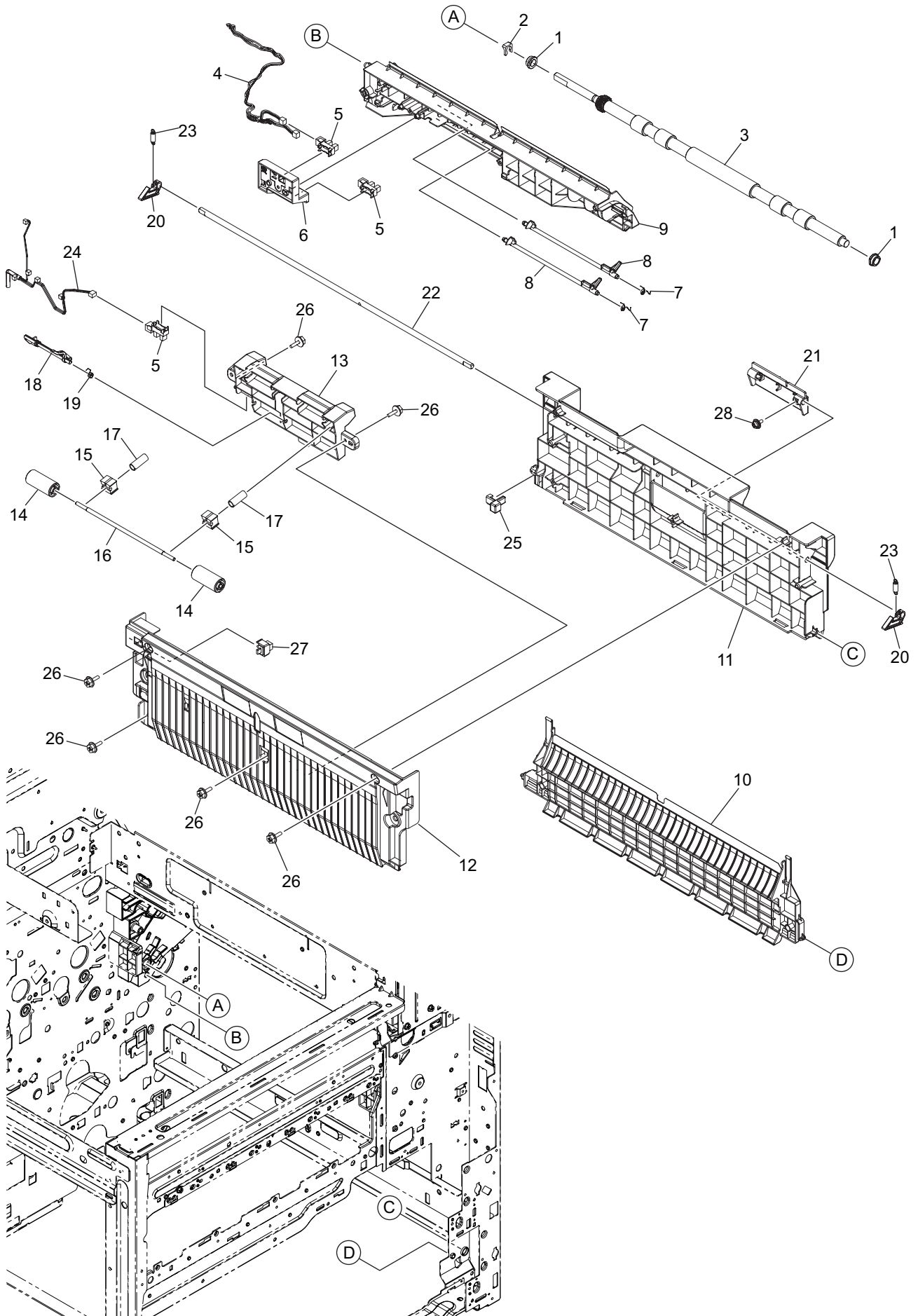
ITEM No.	PART No.	PART NAME	Q'TY / PAGE	Q'TY / PACK	REMARKS
1	X0-00077000	S/PAN/SWWP-M3X8-NI	2	10/P	
2	6LJ61303000	ASYS-HRNS-SCN-SYS-212	1	1/P	
4	6LJ59742000	GUIDE-HRNS-SCAN-H21X	1	1/C	
5	C0-17839000	LG2A14BL1	1	1/C	
6	X0-00430000	S/BID-M3X6-NI	5	10/P	
7 A	X0-02230000	S/FHEXM-M3X6-NI	4		MJD,AUD,ASD,CND,ARD
7 B	X0-02230000	S/FHEXM-M3X6-NI	5		NAD
8	6LJ59761000	BRKT-APS-H21X	1	1/P	
9	6LJ70380100	LENS-H21Y	1	1/S	
11 A	6LJ60495000	HRNS-SCN-D_H-210	1	1/P	AUD,ASD,CND,ARD
12 A	6LE63995000	SNSR-PS-181EL1-S42	1	1/C	MJD,AUD,ASD,CND,ARD
12 B	6LE63995000	SNSR-PS-181EL1-S42	2	1/C	NAD
13	6LJ60440000	HRNS-SCN-MOT-210	1	1/P	
14 A	6LJ61098000	HRNS-SCN-SNSR-212	1	1/P	NAD
15 A	6LJ61116000	HRNS-SCN-SNSR-A-212	1	1/P	MJD,AUD,ASD,CND,ARD
17 A	6LJ59770100	ASYS-D_H-SCAN-H21X-E	1	1/D	AUD,ASD,CND,ARD
18	X0-02232000	S/FHEXM-M3X10-NI	1	10/P	
19	6LJ52385000	BRKT-CNT-SCAN-R-H21X	2	N/A***	
20	X0-02231000	S/FHEXM-M3X8-NI	2	10/P	
21	X0-02420000	S/TPS/FHEXM/R-3X8-ZU3	2	10/P	
22	6LJ59840000	MYLAR-HP-SNSR-H21Y	1	5/P	



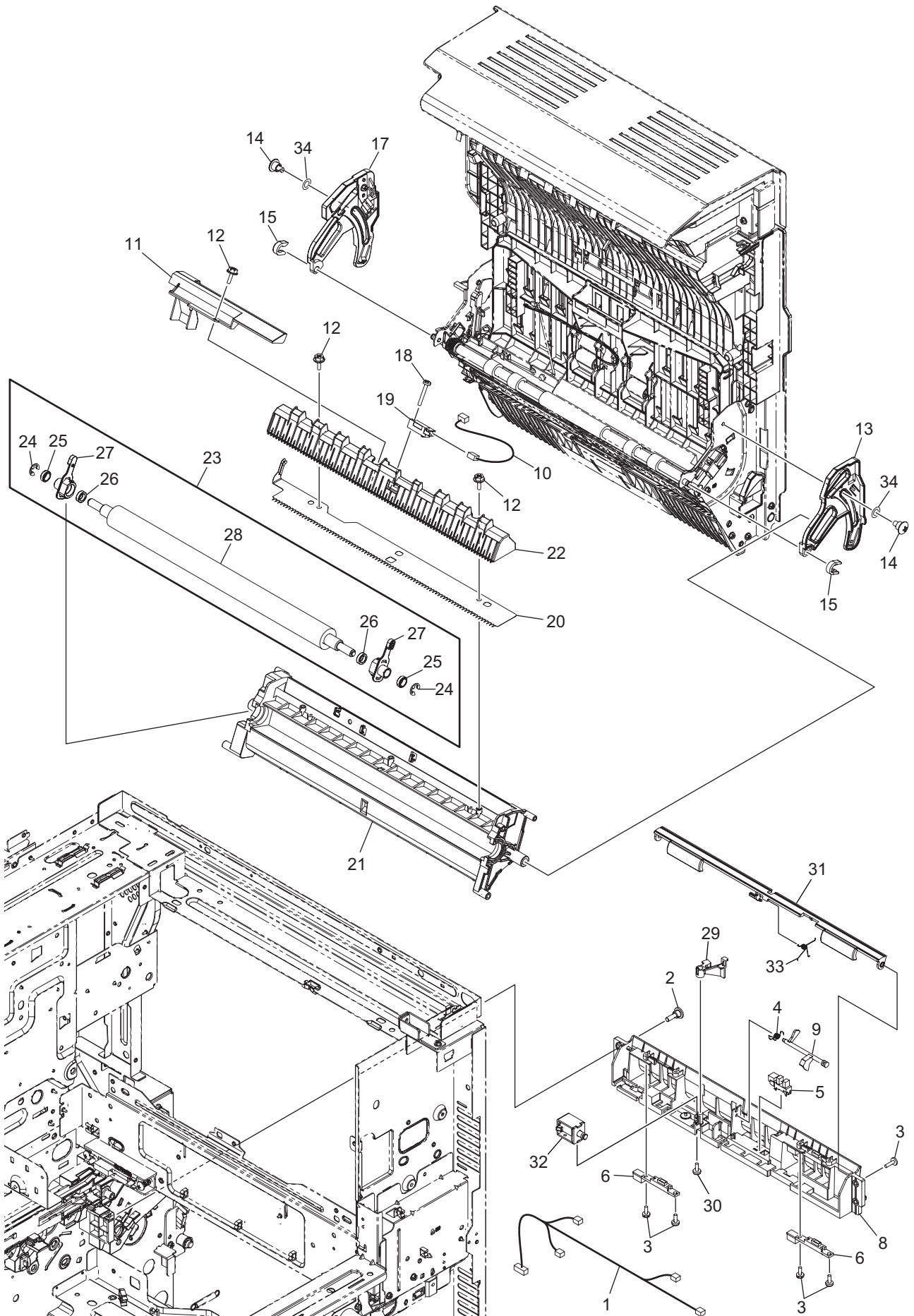
ITEM No.	PART No.	PART NAME	Q'TY / PAGE	Q'TY / PACK	REMARKS
1	6LJ70378200	CRG1-H21Y	1	1/S	
2	6LJ61097000	HRNS-SCN-LED-212	1	1/P	
3	6LJ59844000	ASYB-LAMP-SCN-LED-H21Y	1	1/C	
4	X0-02230000	S/FHEXM-M3X6-NI	1	10/P	
5	6LJ59748000	FOOT-CRG-H21X	4	1/P	
6	6LJ59737000	HLDR-HRNS-LED-H21X	1	1/P	
7	X0-00077000	S/PAN/SWWP-M3X8-NI	2	10/P	
8	44202810000	CUSH-GLASS	2	5/P	



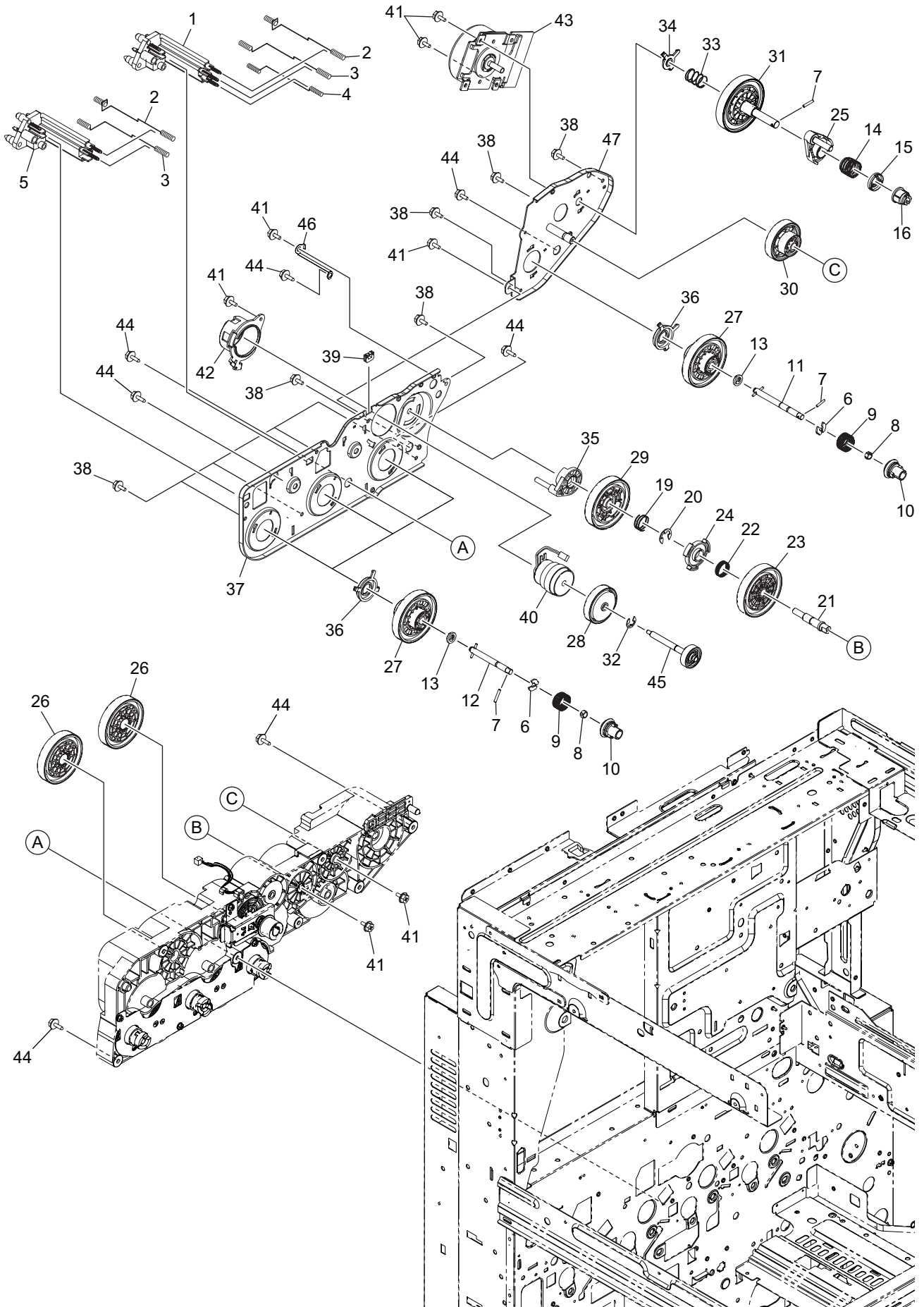
ITEM No.	PART No.	PART NAME	Q'TY / PAGE	Q'TY / PACK	REMARKS
1	6LJ70379100	CRG2-H21Y	1	1/S	
2	6LJ59737100	HLDR-HRNS-LED-210C2	1	1/P	
3	6LJ59748000	FOOT-CRG-H21X	4	1/P	
4	6LJ59707000	PLY-19-H21X	4	1/P	



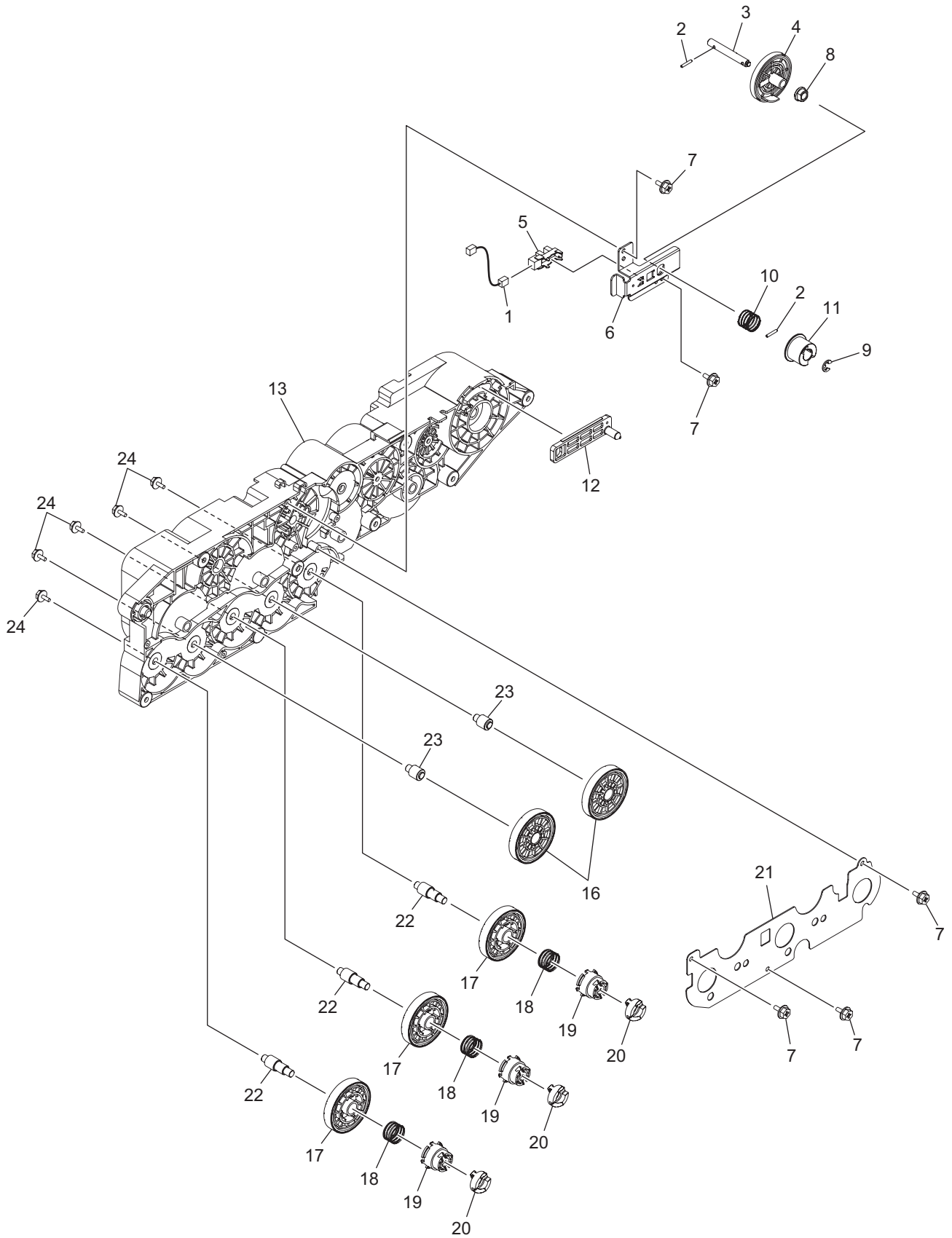
ITEM No.	PART No.	PART NAME	Q'TY / PAGE	Q'TY / PACK	REMARKS
1	6LJ56226000	BUSH-8X12-POM	2	1/P	
2	41306265000	STOP-RING-8	1	1/P	
3	6LJ56343000	ASYB-ROLLER-RGST-L-H21Y	1	1/KP	
4	6LJ61020000	HRNS-SNR-212	1	1/P	
5	C0-17839000	LG2A14BL1	3	1/C	
6	6LJ56205000	HOLDER-SNSR-RGST-H21X_L	1	1/P	
7	6LJ56200000	ACTR-FEED-H21X_L	2	1/KP	
8	6LJ56206000	SPG-ACT-FEED-H21X_L	2	1/P	
9	6LJ56348000	ASYS-GUIDE-RGST-L-H21X_L	1	1/PP	
10	6LJ56347000	ASYS-GID-TRNS-OPEN-H21Y	1	1/PP	
11	6LJ56303000	COVER-FEED-LOW-H21Y	1	1/PP	
12	6LJ56304000	GUIDE-FEED-R-LOW-H21Y	1	1/P	
13	6LJ56306000	HOLDER-ROL-IDL-TRNS-H21Y	1	1/P	
14	6LH57916000	ROL-RELAY-IDL-PFP	2	1/P	
15	6LH34715000	BUSH-FEED-IDL	2	5/P	
16	6LJ56308000	SHAFT-RELAY-IDL-H21Y	1	1/P	
17	6LJ56337000	SPG-C-ROL-TRNS-H21Y	2	1/P	
18	6LH57921000	ACTR-LOIRE-PFP	1	1/D	
19	6LH57936000	SPG-T-SNSR-LOW-350	1	5/P	
20	6LH58005000	HOOK-COVER-PFP	2	1/P	
21	6LH57995100	KNOB-COVER-LOIRE-N	1	1/P	
22	6LJ56309000	SHAFT-HOOK-COV-H21Y	1	1/P	
23	6LH58002000	SPG-E-4R9XR6X18R2-HOOK	2	1/P	
24	6LJ61096000	HRNS-PFU-COV-212	1	1/P	
25	44201629000	STOPPER-COV-FED	1	1/P	
26	X0-02247000	S/TPP/FHEXM-3X8-NI	6	10/P	
27	4402859600	SP-CS3A-B2BA	1	1/D	
28	X0-02551000	S/PAN/SWWP-M3X6-ZU3	1	10/P	
29	X0-02420000	S/TPS/FHEXM/R-3X8-ZU3	1	10/P	



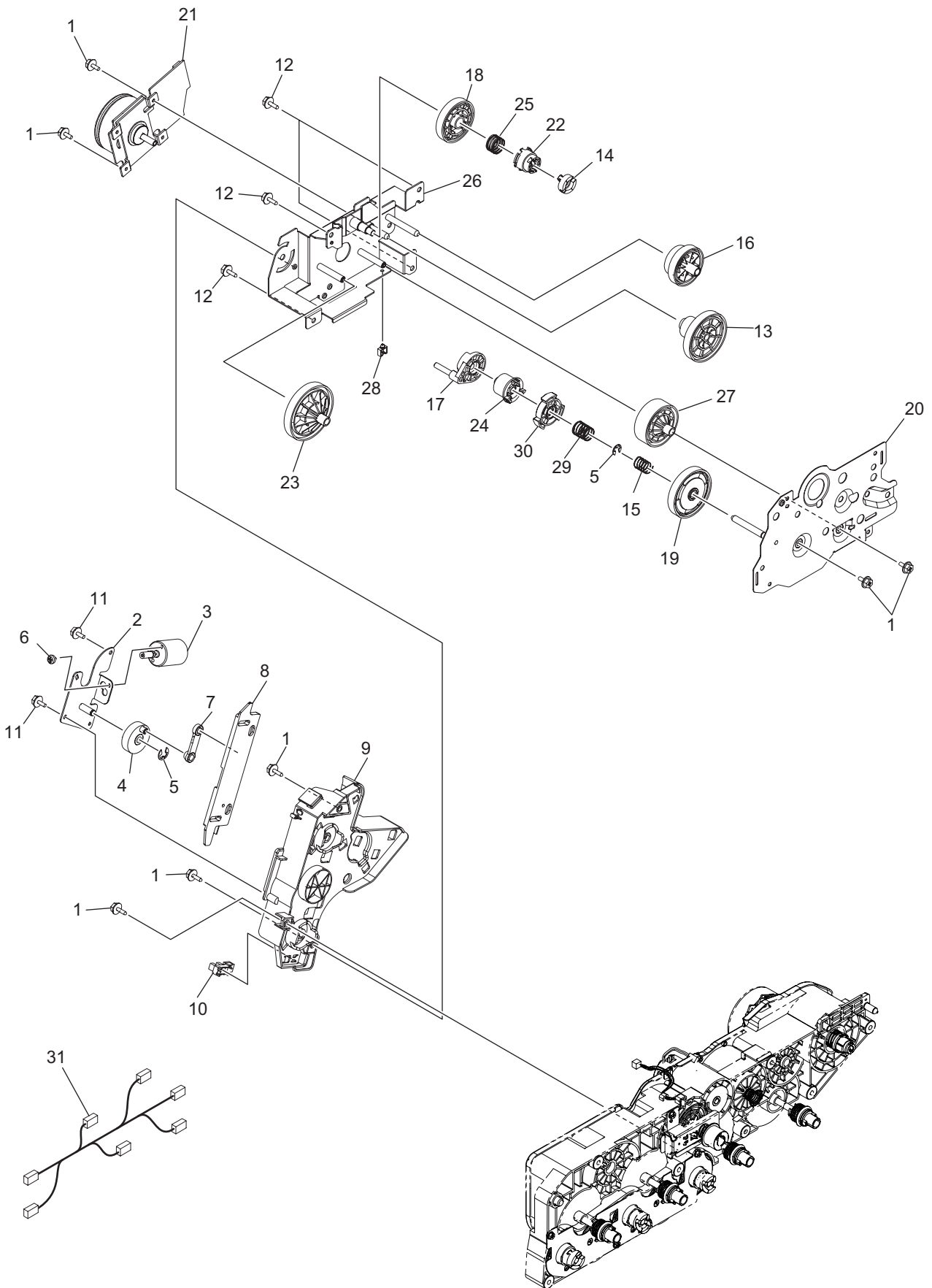
ITEM No.	PART No.	PART NAME	Q'TY / PAGE	Q'TY / PACK	REMARKS
1	6LJ60663000	HRNS-PSNR-210	1	1/P	
2	6LH05511000	SCREW-M3X8-3.2-P	1	5/P	
3	6LA80090000	S/TPP/BID-3X8-NI	5	5/P	
4	6LJ55926000	SPG-T-ACTR-IMG-POS	1	1/P	
5	C0-17839000	LG2A14BL1	1	1/C	
6	6LJ60494000	SNSR-POS-CTD-210	2	1/C	
8	6LJ55970000	ASYS-CASE-GUIDE-IMG-POS	1	1/PP	
9	6LJ55971000	ACTR-GUIDE-IMG-POS	1	1/P	
10	6LJ60320000	HRNS-TRU-210	1	1/P	
11	6LJ55937000	COVER-HRNS-TRU	1	1/P	
12	X0-02247000	S/TPP/FHEXM-3X8-NI	3	10/P	
13	6LJ55956000	HLDR-TRU-F	1	1/P	
14	6LA37669000	SCREW-LOCK-ARM	2	5/P	
15	4407972860	STOP-RING-6-5	2	5/P	
17	6LJ55957000	ASYB-HLDR-TRU-R	1	1/P	
18	X0-02127000	S/TPP/PAN-3X16-NI	1	10/P	
19	C0-15007000	PS119ED1	1	1/C	
20	6LJ55912000	PLT-EARTH-TRU-H21X	1	1/KP	
21	6LJ55933000	CASE-TRU-WEISS	1	1/PP	
22	6LJ55915000	GUIDE-TRU-H21X	1	1/PP	
23	6LJ55941000	ASYB-ROLLER-TR2-H21X-L	1	1/D	
24	X0-00965000	RR/E-4-SS	2	10/P	
25	6LJ55913000	RING-TRU-ROL	2	1/P	
26	F0-01872000	L-1280ZZHP0P25LY551	2	1/P	
27	6LJ55914000	BUSH-TRU-WEISS-E	2	1/P	
28	6LJ70397000	CR-FC30TR2	1	1/S	
29	6LJ55922000	LINK-SHUT-IMG-POS	1	1/P	
30	X0-02256000	S/PAN-M3X6-ZU3	1	10/P	
31	6LJ55972000	SHUT-IMG-POS	1	1/PP	
32	6LJ55944000	SOL-06A-IMG-POS	1	1/C	
33	6LJ55925000	SPG-T-SHUT-IMG-POS	1	1/P	
34	6LA06340000	WAS-06-95-Z13-P	2	10/P	



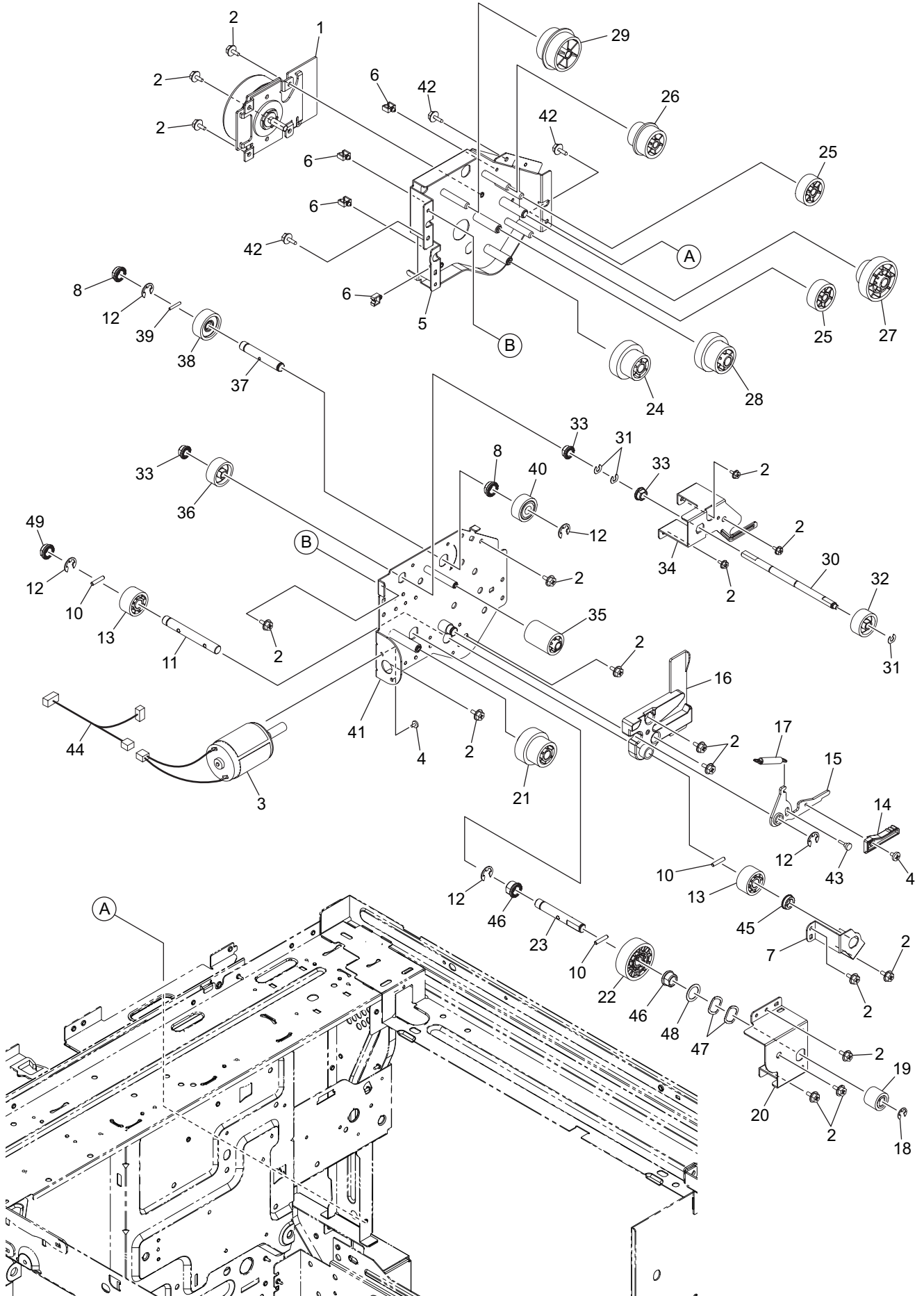
ITEM No.	PART No.	PART NAME	Q'TY / PAGE	Q'TY / PACK	REMARKS
1	6LJ55454000	RAIL-WIRE-HV-TBU	1	1/P	
2	6LJ55462000	SPG-HVT-MK-H21X	2	1/P	
3	6LJ55463000	SPG-HVT-YC-H21X	2	1/P	
4	6LJ55464000	SPG-HVT-TR2-H21X	1	1/P	
5	6LJ55481000	RAIL-WIRE-HV-TBU-YM	1	1/P	
6	44201801000	STOP-RING-6-1.5	4	5/P	
7	X0-01526000	P/PRL/AH7-2X12-SS	5	10/P	
8	6LJ55133000	CAP-SHAFT-DRUM	4	1/P	
9	6LJ55198000	SPG-C-DRIVE-DRUM	4	1/P	
10	6LJ55152000	COUPLE-DRUM-DRIVE	4	1/P	
11	6LJ55241000	ASYS-SHAFT-DRV-DRUM-K	1	1/P	
12	6LJ55242000	ASYS-SHAFT-DRV-DRUM-YMC	3	1/P	
13	6LJ55175000	CAP-SHAFT-DRUM-R	4	1/P	
14	6LJ55164000	SPG-C-DRIVE-TBU	1	1/P	
15	6LJ55141000	RING-DRIVE-TBU	1	1/P	
16	6LJ55244000	COUPLE-DRIVE-TBU	1	1/P	e-STUDIO2555C/4555C/5055C
19	6LJ55165000	SPG-C-DRUM-R	1	1/P	
20	X0-00968000	RR/E-7-SS	1	10/P	
21	6LJ55169000	SHAFT-RELAY-DRV-DRUM	1	1/P	
22	6LJ55166000	SPG-C-DRUM-F	1	1/P	
23	6LJ55102000	GEAR-04H132-C	1	1/P	
24	6LJ55127000	COUPLE-IDLE-DRUM-DRIVE	1	1/P	
25	6LJ55138000	CAM-DRV-TBU	1	1/P	
26	6LJ55120000	GEAR-04H132-IDLE	2	1/P	
27	6LJ55110000	GEAR-04H132-DRUM	4	1/P	
28	6LJ55104000	GEAR-04H95-10S28	1	1/P	
29	6LJ55103000	GEAR-04H132-K	1	1/P	
30	6LJ55209000	GEAR-5H65-4H57-H21Y	1	1/P	
31	6LJ55233000	ASYB-GEAR-DRV-TBU-H21Y	1	1/P	
32	X0-00966000	RR/E-5-SS	1	10/P	
33	6LJ55162000	SPG-C-DRV-TBU-R	1	1/P	
34	6LJ55213000	BUSH-TBU-DRIVE-H21Y	1	1/P	
35	6LJ55121000	CRANK-PUSH	1	1/P	
36	6LJ55212000	BUSH-DRUM-DRIVE-H21Y	4	1/P	
37	6LJ55205000	PLT-DRV-DRUM-H21Y	1	N/A***	
38	X0-02246000	S/TTP/FHEXM-3X6-NI	9	10/P	
39	F0-00120000	ES-0505	1	5/P	
40	6LJ01935000	CLUTCH-G28-06D-30AK	1	1/D	
41	X0-02230000	S/FHEXM-M3X6-NI	7	10/P	
42	6LJ55136000	COVER-CLUCH-G28	1	1/P	
43	6LJ55390000	MOTR_D-DRIVE-DRUM-H21Y	1	1/SB	
44	X0-02420000	S/TPS/FHEXM/R-3X8-ZU3	7	10/P	
45	6LJ55234000	ASYB-SHAFT-TR1-H21Y	1	1/P	
46	6LJ55192000	SPG-F-GND-DRIVE-DRUM	1	1/P	
47	6LJ55202000	ASYS-DRUM-MOT-BRKT-H21Y	1	1/P	



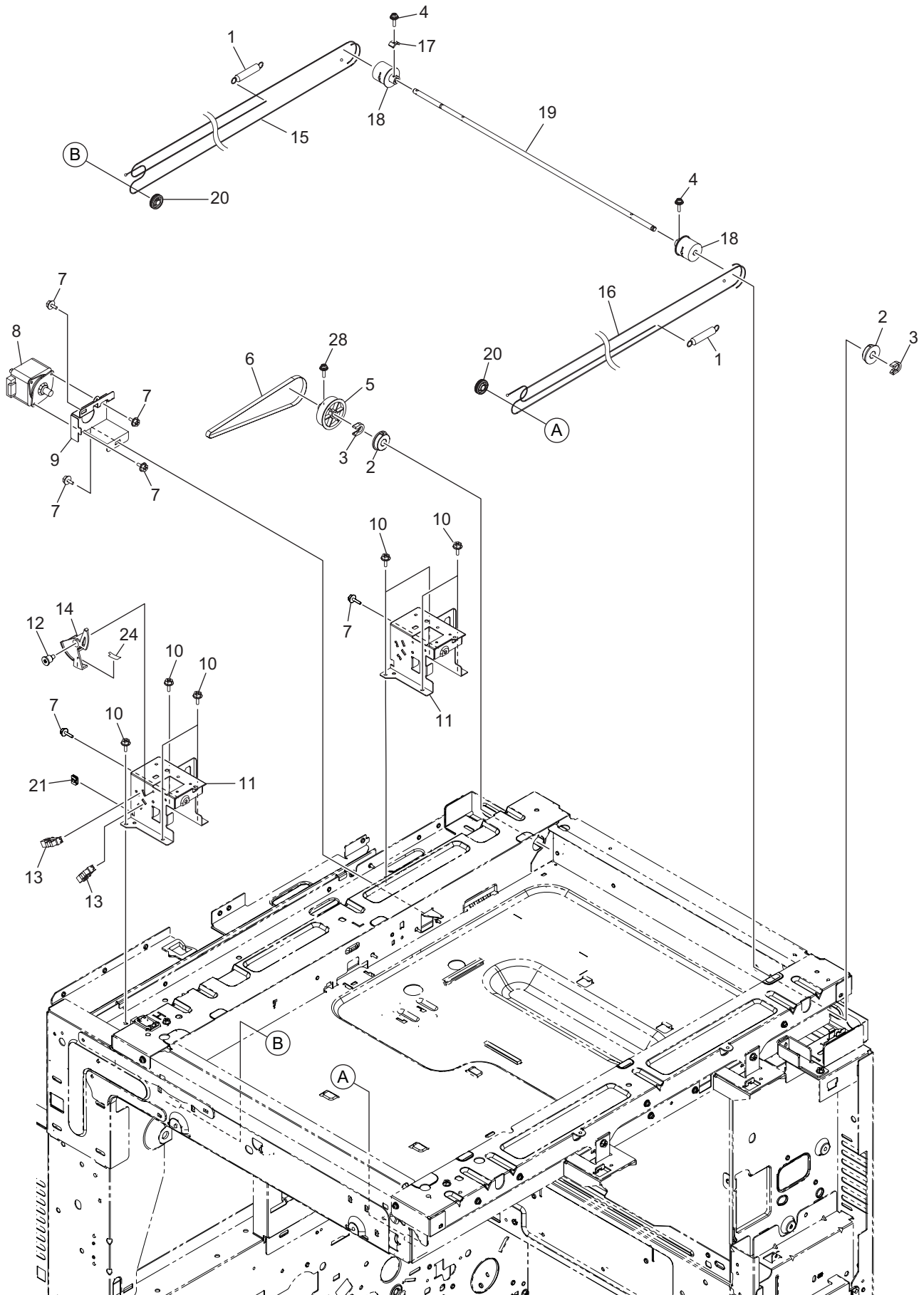
ITEM No.	PART No.	PART NAME	Q'TY / PAGE	Q'TY / PACK	REMARKS
1	6LJ61248000	HRNS-FSTTR-212	1	1/P	
2	X0-01526000	P/PRL/AH7-2X12-SS	2	10/P	
3	6LJ55132000	SHAFT-DRV-TR1-TBU-2	1	1/P	
4	6LJ55211000	GEAR-10S49-COUPLE-TBU	1	1/P	
5	C0-17839000	LG2A14BL1	1	1/C	
6	6LJ55206000	BRKT-DRIVE-TR1-H21Y	1	1/P	
7	X0-02246000	S/TPP/FHEXM-3X6-NI	5	10/P	
8	44201492000	BUSH-6-POM	1	5/P	
9	X0-00964000	RR/E-3-SS	1	10/P	
10	6LJ55197000	SPG-C-TR1-TBU	1	1/P	
11	6LJ55154000	COUPLE-SW-TBU-TR1	1	1/P	
12	6LJ55160000	LVR-COUPLE-DRV-TBU	1	1/P	
13	6LJ55201000	FRAME-DRV-DRUM-H21Y	1	1/PP	
16	6LJ55109000	GEAR-5H85-IDLE	2	1/P	
17	6LJ55108000	GEAR-5H85-CPL-DEV	3	1/P	
18	6LJ55167000	SPG-C-DEV-DRV-C	3	1/P	
19	6LJ55126000	COUPLE-DEV-DRIVE-R	3	1/P	
20	6LJ55226000	COUPLE-DEV-DRIVE-F-H21Y	3	1/P	
21	6LJ55129000	PLATE-DRIVE-DEV	1	1/P	
22	6LJ55223000	STUD-DRV-DEV-A-H21Y	3	1/P	
23	6LJ55224000	STUD-DRV-DEV-B-H21Y	2	1/P	
24	X0-02230000	S/FHEXM-M3X6-NI	5	10/P	



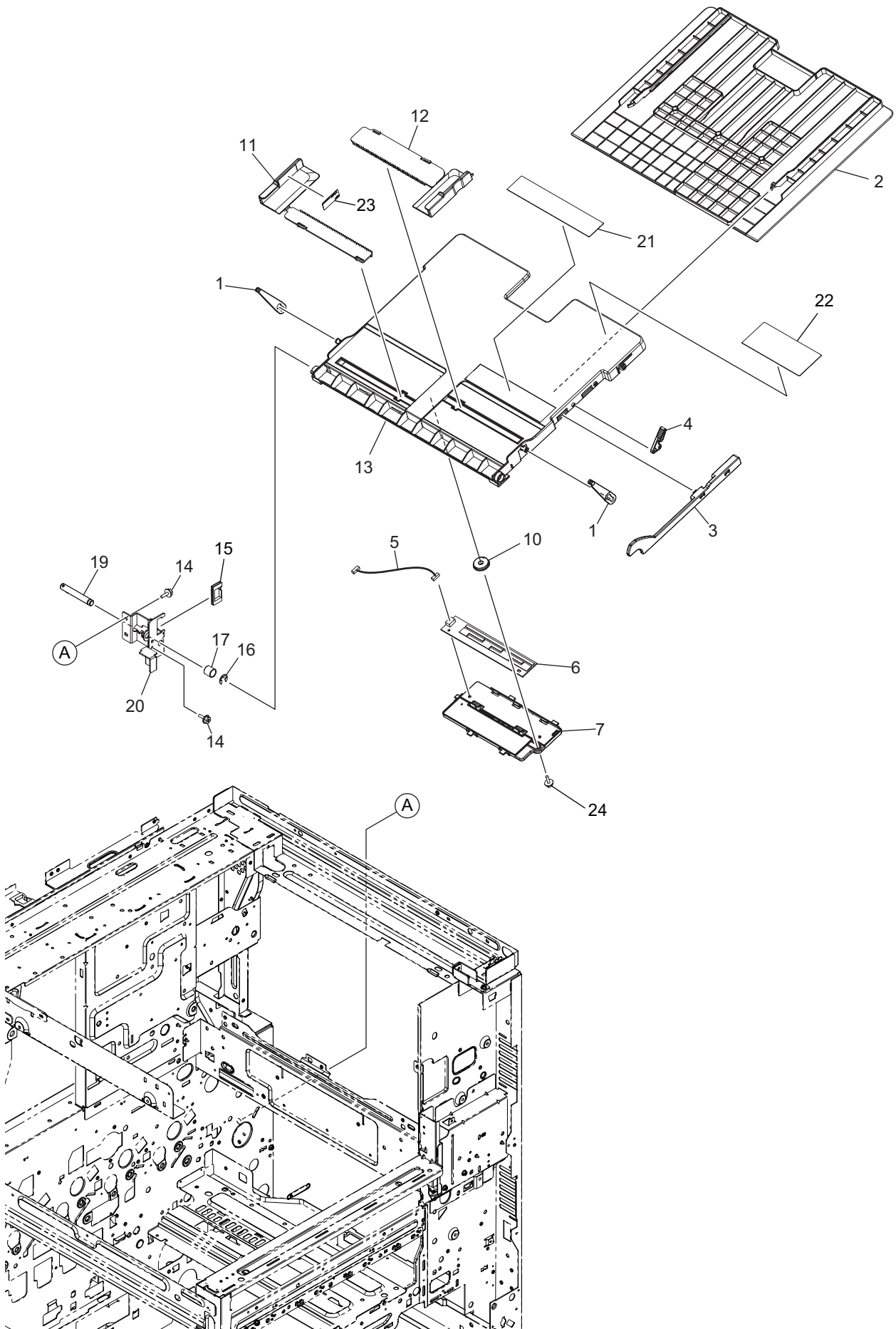
ITEM No.	PART No.	PART NAME	Q'TY / PAGE	Q'TY / PACK	REMARKS
1	X0-02230000	S/FHEXM-M3X6-NI	7	10/P	
2	6LJ55116000	ASYS-BRKT-CLANK	1	1/P	
3	6LJ55174000	MOTR_D-SWITCH-H21X	1	1/D	
4	6LJ55114000	GEAR-CRANK	1	1/P	
5	X0-00966000	RR/E-5-SS	2	10/P	
6	X0-02112000	S/PAN-M3X3-NI	1	10/P	
7	6LJ55122000	RELAY-CRANK	1	1/P	
8	6LJ55123000	PLATE-CRANK	1	1/P	
9	6LJ55115000	BASE-CRANK	1	1/PP	
10	C0-17839000	LG2A14BL1	1	1/C	
11	X0-02247000	S/TPP/FHEXM-3X8-NI	2	10/P	
12	X0-02420000	S/TPS/FHEXM/R-3X8-ZU3	4	10/P	
13	6LJ55229000	GEAR-05H42-05H98-H21Y	1	1/P	
14	6LJ55226000	COUPLE-DEV-DRIVE-F-H21Y	1	1/P	
15	6LJ55153000	SPG-DRV-CAM-DEV-F	1	1/P	
16	6LJ55228000	GEAR-05H78-08H38-H21Y	1	1/P	
17	6LJ55121000	CRANK-PUSH	1	1/P	
18	6LJ55108000	GEAR-5H85-CPL-DEV	1	1/P	
19	6LJ55232000	GEAR-5H98-COUPLE-H21Y	1	1/P	
20	6LJ55220000	ASYS-PLT-DEV-DRV-H21Y	1	1/P	
21	6LJ55380000	MOTR_D-DRIVE-DEV-H21Y	1	1/SB	
22	6LJ55126000	COUPLE-DEV-DRIVE-R	1	1/P	
23	6LJ55230000	GEAR-5H112-DEV-H21Y	1	1/P	
24	6LJ55231000	GEAR-5H42-CAM-H21Y	1	1/P	
25	6LJ55167000	SPG-C-DEV-DRV-C	1	1/P	
26	6LJ55214000	ASYS-FRM-DRV-DEV-H21Y	1	1/P	
27	6LJ55227000	GEAR-5H85-KDEV-H21Y	1	1/P	
28	F0-01250000	MSB-1207	1	5/P	
29	6LJ55172000	SPG-DRV-CAM-DEV-R	1	1/P	
30	6LJ55225000	COUPLE-IDLE-DEV-DRV-H21Y	1	1/P	
31	6LJ60866000	HRNS-LGC-DEV-212	1	1/P	



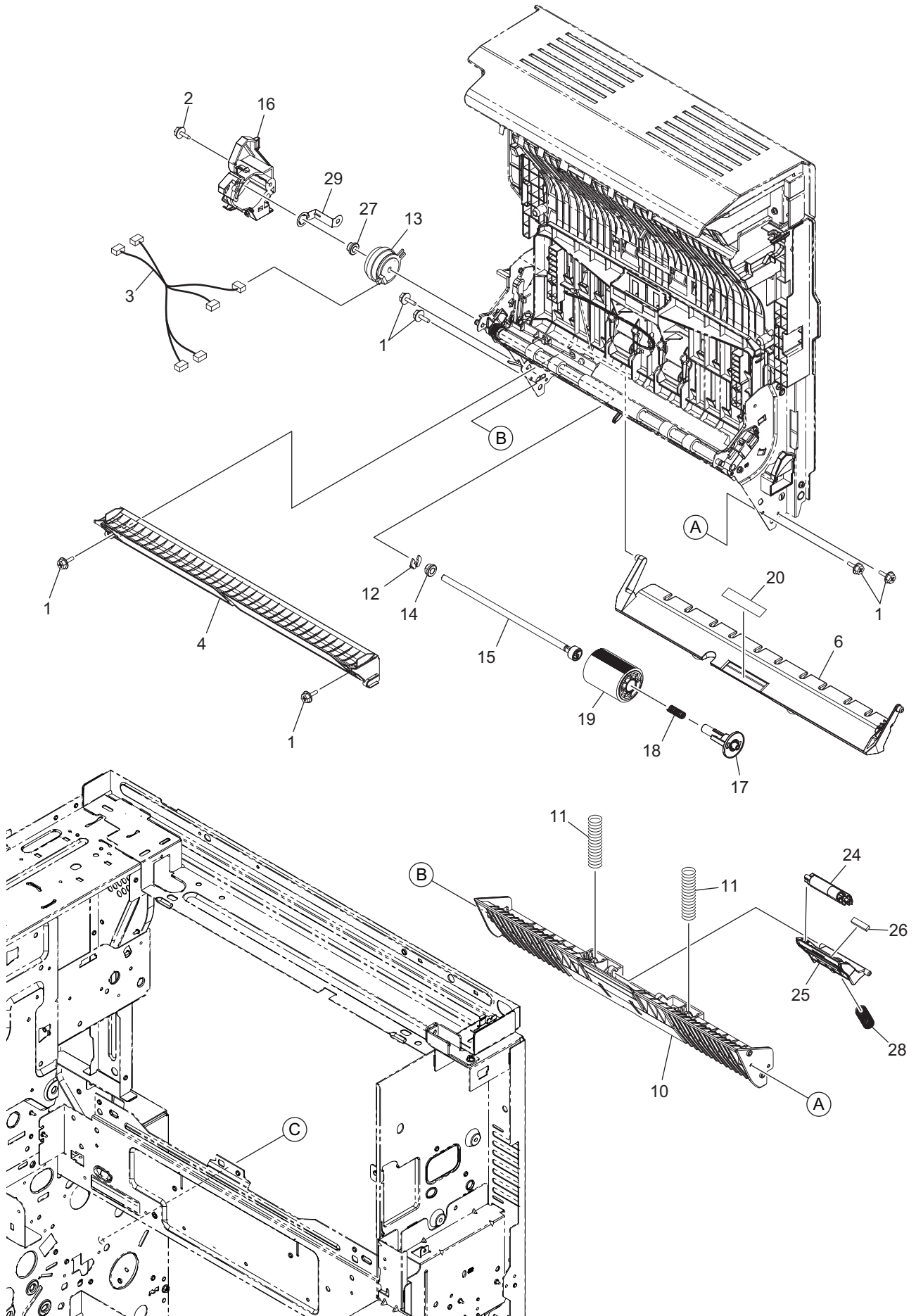
ITEM No.	PART No.	PART NAME	Q'TY / PAGE	Q'TY / PACK	REMARKS
1	6LJ55390000	MOTR_D-DRIVE-DRUM-H21Y	1	1/SB	
2	X0-02230000	S/FHEXM-M3X6-NI	17	10/P	
3	6LJ59219000	ASYS-FUSSETM-H21Y	1	1/D	
4	X0-00426000	S/BID-M3X4-NI	3	10/P	
5	6LJ58647000	ASYS-FRAME-DRV-FUS-H	1	1/P	
6	F0-01250000	MSB-1207	4	5/P	
7	6LJ58815000	BRKT-DRV-FUS-PR-H214	1	1/P	
8	6LJ55544000	BUSH-8X12X5R5F-BCF-050	2	1/P	
10	X0-01169000	P/PRL/AH7-3X14-SS	3	10/P	
11	6LJ58677000	SHAFT-DRV-FUS-PR	1	1/P	
12	X0-00968000	RR/E-7-SS	5	10/P	
13	6LJ58734000	GEAR-10H22-8	2	1/P	
14	6LJ58747000	COVER-LVR-FUS-R	1	1/P	
15	6LJ58746000	LEVER-FUS-R	1	1/P	
16	6LJ58674000	GUIDE-FUS-R	1	1/P	
17	6LJ58760000	SPG-E-LVR-LOCK-R-H21Y	1	1/P	
18	X0-00966000	RR/E-5-SS	1	10/P	
19	6LJ58889000	GEAR-10S17-8	1	1/P	
20	6LJ58681000	BRKT-DRV-FUS-SW	1	1/P	
21	6LJ58684000	GEAR-10H23-8H40-8	1	1/P	
22	6LJ58685000	GEAR-10H34-RIKAN	1	1/P	
23	6LJ58682000	SHAFT-DRV-FUS-CAM	1	1/P	
24	6LJ58663000	GEAR-8H40-10H23-8	1	1/P	
25	6LJ58661000	GEAR-8H31-6	2	1/P	
26	6LJ58665000	GEAR-8H26-10S27-6	1	1/P	
27	6LJ58660000	GEAR-8H46-8H27-8	1	1/P	
28	6LJ58658000	GEAR-5H65-8H31-8	1	1/P	
29	6LJ58668000	GEAR-10S34-10S31-6	1	1/P	
30	6LJ58680000	SHAFT-DRV-FUS-EXIT	1	1/P	
31	6LH03574000	RRG-4-P	3	1/P	
32	6LJ58673000	GEAR-10S23-EXIT	1	1/P	
33	44201492000	BUSH-6-POM	3	5/P	
34	6LJ58653000	BRKT-DRV-EXIT-H	1	1/P	
35	6LJ58669000	GEAR-10S21-6	1	1/P	
36	6LJ58670000	GEAR-10S24-6	1	1/P	
37	6LJ58787000	SHAFT-DRV-FUS-BLT	1	1/P	
38	6LJ58666000	GEAR-10S26-6	1	1/P	
39	X0-01165000	P/PRL/AH7-2X14-SS	1	10/P	
40	6LJ58667000	GEAR-10S23-8-OWR	1	1/P	
41	6LJ58739000	ASYS-FRM-DRV-FUS-BASE	1	1/P	
42	X0-00077000	S/PAN/SWWP-M3X8-NI	3	10/P	
43	6LA65683000	SCREW-HLDR-MG	1	10/P	
44	6LJ61406000	HRNS-LGC-FSRMOT-212	1	1/P	
45	F0-02187000	DDLDF-1280ZZHP0P25LY551	1	1/P	
46	6LA02368000	BUSH-0814-08F-M	2	5/P	
47	6LJ58887000	WSHR-W-13X17XR2.5-SS	2	5/P	
48	6LJ58884000	WASHER-DRV-FUS-CAM	1	5/P	
49	6LJ55544000	BUSH-8X12X5R5F-BCF-050	1	1/P	

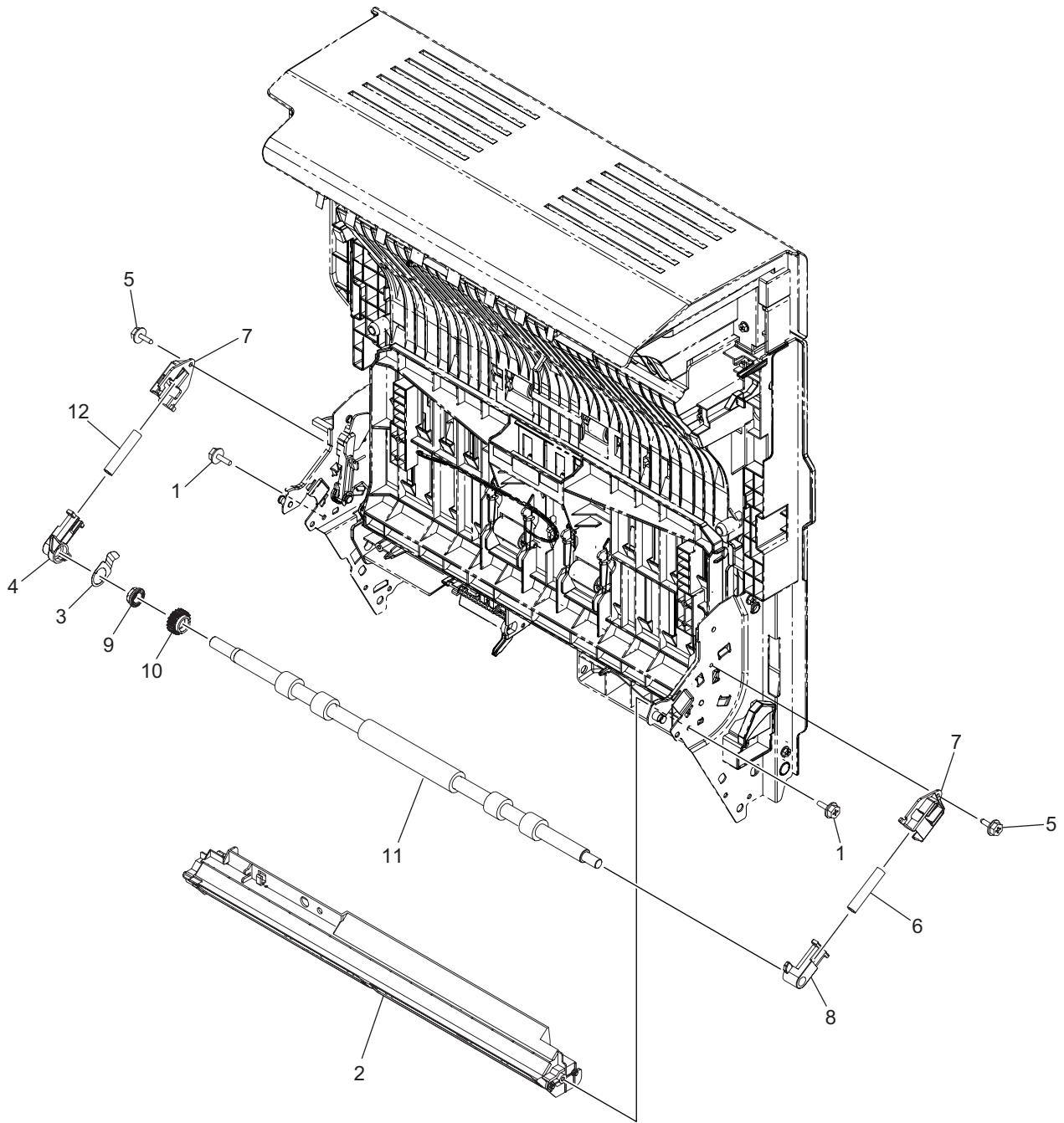


ITEM No.	PART No.	PART NAME	Q'TY / PAGE	Q'TY / PACK	REMARKS
1	6LJ15115000	SPE-WIRE-TNS-H16X-SUS	2	1/P	
2	6LJ59746000	BUSH-061505	2	1/P	
3	4407972860	STOP-RING-6-5	2	5/P	
4	X0-00094000	S/PAN/SWWP-M3X10-NI	2	10/P	
5	6LJ59706000	PULLEY-SCAN-H21X	1	1/P	
6	6LJ59743000	BLT_SY-S1.5M-378-6	1	1/P	
7	X0-02230000	S/FHEXM-M3X6-NI	6	10/P	
8	6LJ60445000	MOTR_S-SCN-210L	1	1/D	
9	6LJ59731000	BRKT-MOT-SCAN-H21X	1	1/P	
10	X0-02420000	S/TPS/FHEXM/R-3X8-ZU3	8	10/P	
11	6LJ59838000	ASYS-BRKT-DF-H21XH	2	1/P	
12	6LA04456000	SCREW-PINION	1	5/P	
13	C0-17839000	LG2A14BL1	2	1/C	
14	6LJ59763000	LVR-OPEN-SNS-H21X	1	1/P	
15	6LJ59702000	WIRE-SCAN-R-H21X	1	1/P	
16	6LJ59701000	WIRE-SCAN-F-H21X	1	1/P	
17	6LJ59727000	HOLD-PLY-SCR	1	1/P	
18	6LJ59729000	PLY-WIRE-SCAN-H21X	2	1/P	
19	6LJ59728000	SHAFT-DRV-SCAN-H21X	1	1/P	
20	6LJ59707000	PLY-19-H21X	2	1/P	
21	F0-00120000	ES-0505	1	5/P	
24	6LJ59801000	SHEET-LVR-OPEN-H21X	1	1/P	
28	X0-00077000	S/PAN/SWWP-M3X8-NI	1	10/P	

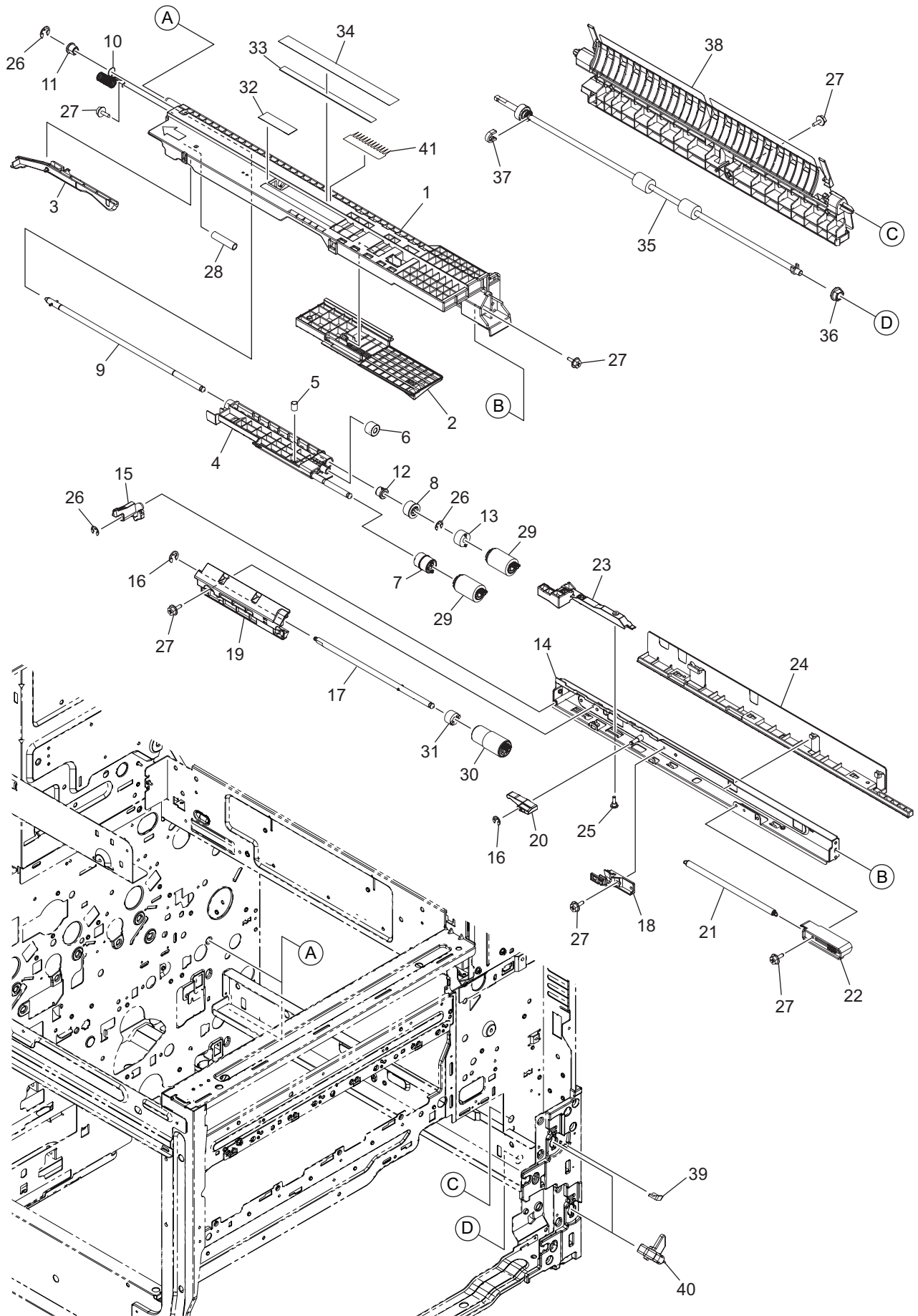


ITEM No.	PART No.	PART NAME	Q'TY / PAGE	Q'TY / PACK	REMARKS
1	6LJ57015000	ARM-SFB-H21X	2	1/P	
2	6LJ57001000	TRAY-LWR-SFB-H21X	1	1/PP	
3	6LJ57003000	LINK-TRAY-SFB-H21X-L	1	1/P	
4	6LJ57004000	LEVER-TRAY-SFB-H21X-L	1	1/P	
5	6LJ60213000	HRNS-SFB-SIZE-210	1	1/P	
6	6LJ60689000	PWA-H-SFB-210	1	1/SB	
7	6LJ57010000	HOLDER-PWA-SFB-H21X	1	1/PP	
10	4407726480	PINION-18-395	1	1/P	
11	6LJ57012000	GUIDE-TRAY-SFB-R-H21X	1	1/P	
12	6LJ57022000	ASYS-GUIDE-TRAY-SFB-F	1	1/PP	
13	6LJ57075000	TRAY-UPR-SFB-H21X	1	1/PP	
14	X0-02593000	S/TPD3/FHEXM-3X8-ZU3	2	10/P	
15	F0-01638000	EDS-1710L-V0	1	1/P	
16	X0-00968000	RR/E-7-SS	1	10/P	
17	6LJ57312000	SPC-HINGE-COV-SIDE-1	1	1/P	
19	6LJ57339000	ASYS-STUD-HINGE-ADU-R	1	1/P	
20	6LJ57307000	BRKT-HINGE-ADU-R	1	1/P	
21 A	6LJ57105000	LBL-TRAY-C-H21Y	1	1/P	CND
21 B	6LJ57104000	LBL-TRAY-E-H21Y	1	1/P	MJD,AUD,ASD,ARD
21 C	6LJ57102000	LBL-TRAY-U-H21Y	1	1/P	NAD
22	6LJ57043000	LBL_O-GUIDE-SFB-H21X	1	1/P	
23	6LJ57073000	LBL-HIGH-TRAY-H21X	1	1/P	
24	X0-02247000	S/TPP/FHEXM-3X8-NI	1	10/P	

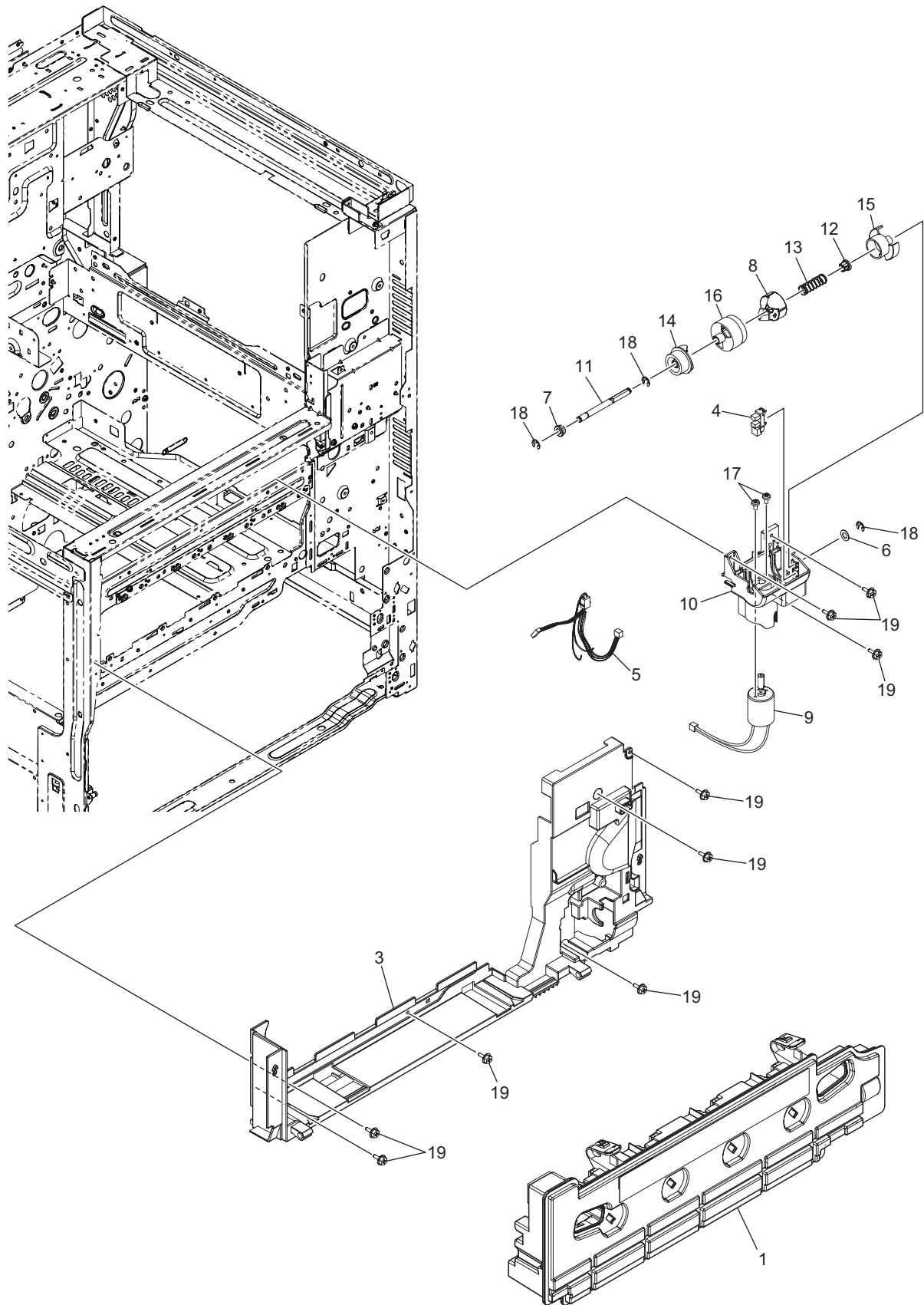




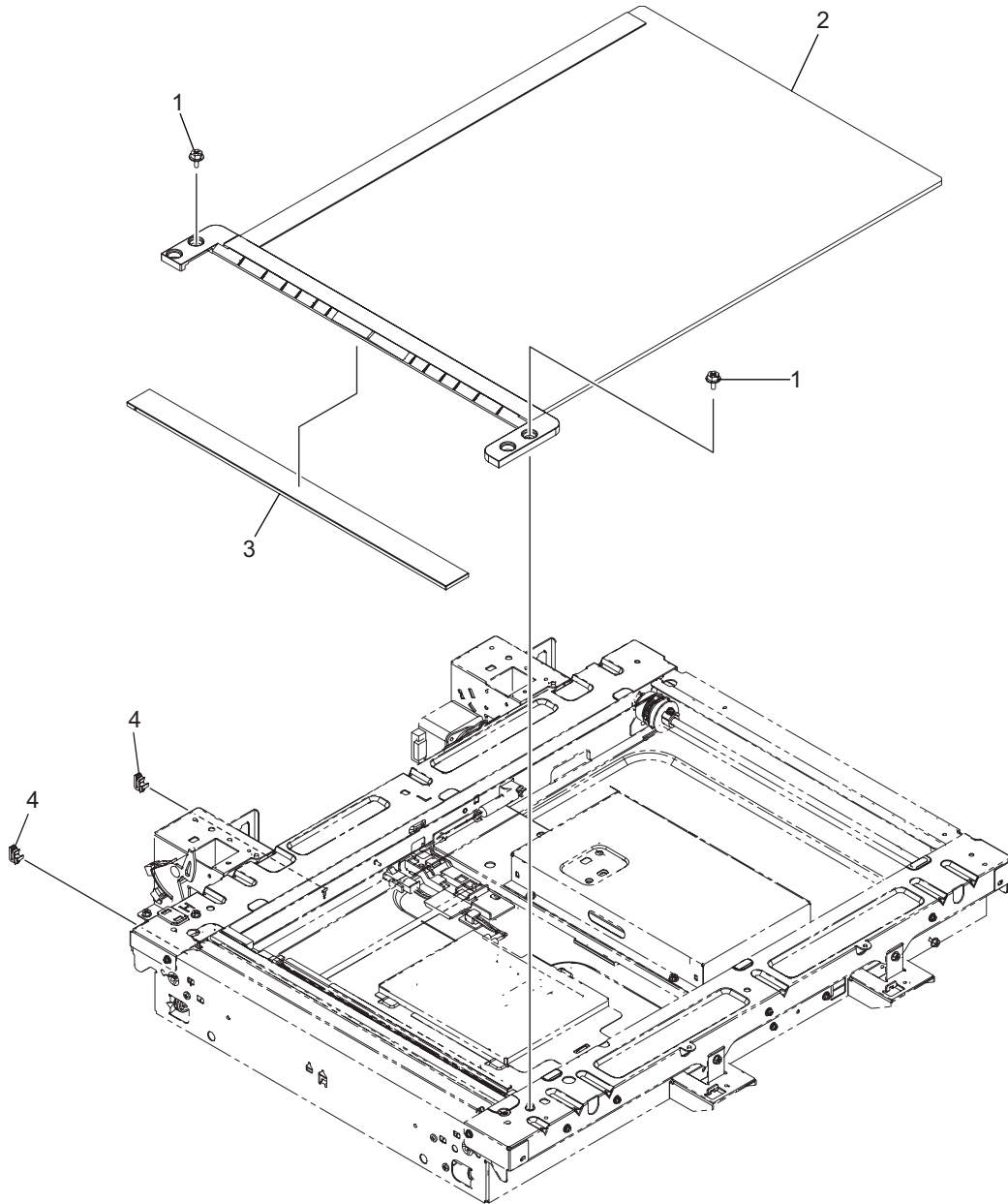
ITEM No.	PART No.	PART NAME	Q'TY / PAGE	Q'TY / PACK	REMARKS
1	X0-02247000	S/TPP/FHEXM-3X8-NI	2	10/P	
2	6LJ56214000	ASYS-GUIDE-RGST-R-H21X_L	1	1/P	
3	6LJ56234000	SPG-F-RGST-R-H21X_L	1	1/P	
4	6LJ56230000	BUSH-ROL-RGST-R-H21X	1	1/P	
5	X0-02420000	S/TPS/FHEXM/R-3X8-ZU3	2	10/P	
6	6LJ56293000	SPG-C-RGST-F-H21X	1	1/P	
7	6LJ56228000	HOLDER-RGST-SPE-H21X	2	1/P	
8	6LJ56229000	BUSH-ROL-RGST-F-H21X	1	1/P	
9	6LA65697000	BUSH-8X12X5R5F	1	5/P	
10	6LJ56291000	GEAR-8S19-8_D10	1	1/P	
11	6LJ56222000	ROLLER-RGST-R-H21X_L	1	1/C	
12	6LJ56294000	SPG-C-RGST-R-H21X	1	1/P	



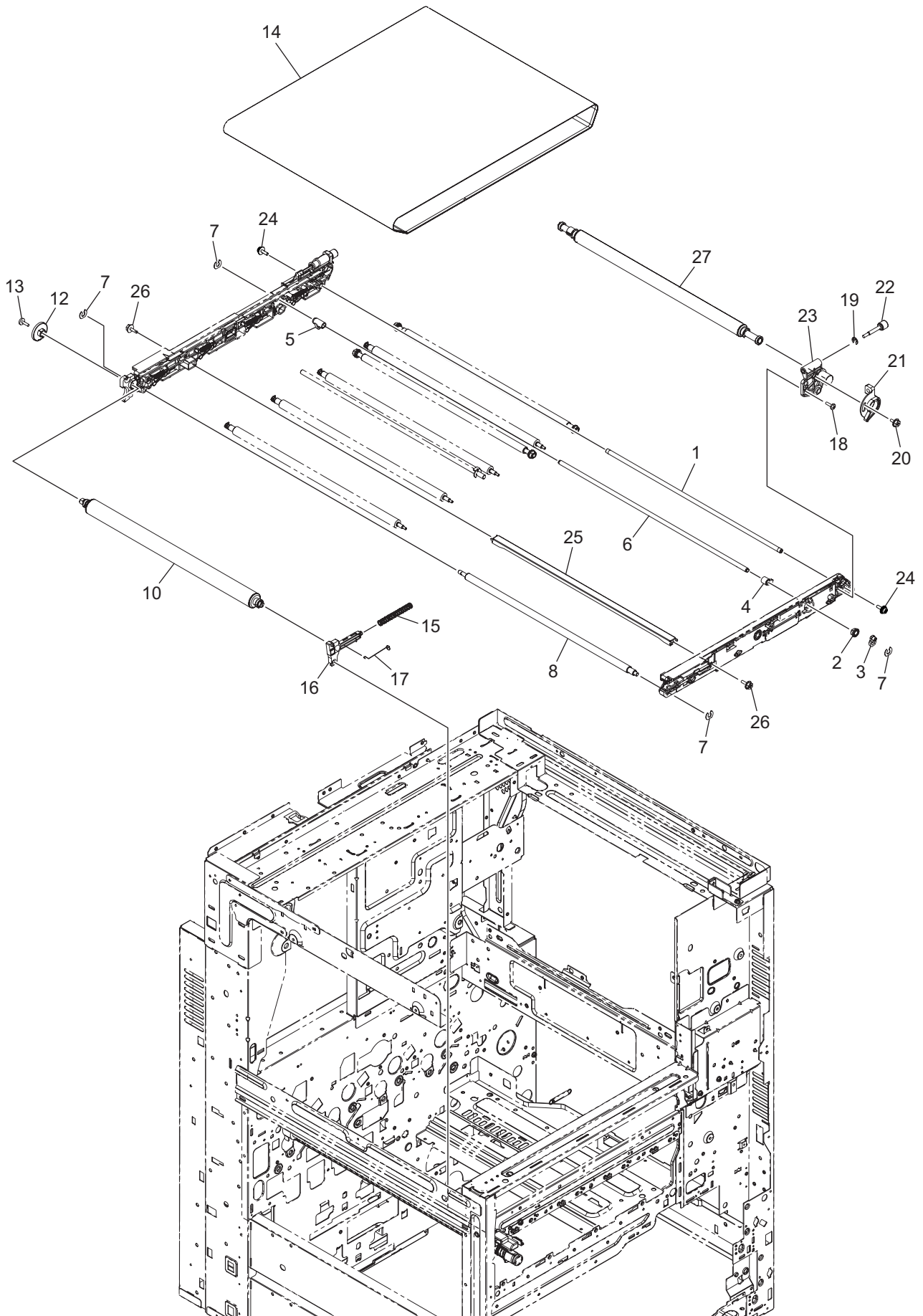
ITEM No.	PART No.	PART NAME	Q'TY / PAGE	Q'TY / PACK	REMARKS
1	6LJ56273000	FRAME-FEED-H21X_H	1	1/PP	
2	6LJ56263000	GUIDE-FEED-UP-F-H21X_H	1	1/PP	
3	6LJ56248000	ACTR-EMPTY-CST-H2X_H	1	1/P	
4	6LJ56275000	ARM-PICK-H21X_H	1	1/PP	
5 A	6LJ56268000	SPG-C-PU-H21X_H	1	1/P	e-STUDIO2555C/3055C/3555C
5 B	6LJ56359000	SPG-C-PU-H21Y	1	1/P	e-STUDIO4555C/5055C
6	6LJ56244000	GEAR-5S25-8	1	1/P	
7	6LJ56245000	GEAR-5S30-6	1	1/P	
8	6LJ56239000	ASYS-GEAR-5S30-6L	1	1/P	
9	6LJ56276000	ASYS-SFT-ROL-FEED-H21X_H	1	1/P	
10	6LJ56267000	SPG-EARTH-FEED-UNIT	1	1/P	
11	6LA03977000	BUSH-F6-GCB	1	5/P	
12	6LJ56246000	BUSH-6X10X9F-POM	1	1/P	
13	6LE69842000	CLUTCH-6-L	1	1/P	
14	6LJ56262000	ASYS-STAY-FEED-H21X_H	1	1/P	
15	6LJ56250000	LEVER-PU-LINK-H21X_H	1	1/P	
16	X0-00964000	RR/E-3-SS	2	10/P	
17	6LJ56279000	ASYS-SHAFT-ROL-SPT-H21X_H	1	1/P	
18	6LJ56258000	GUIDE-SFT-SPT-H21X_H	1	1/P	
19	6LJ56264000	GUIDE-FEED-R-H21X_H	1	1/P	
20	6LJ56249000	ARM-SFT-SPT-H21X_H	1	1/P	
21	6LJ56270000	SPG-E-SPT-H21X_H	1	1/P	
22	6LJ56247000	HOLDER-SPE-SPT-H21X_H	1	1/P	
23	6LJ56266000	SLIDER-SPT-H21X_H	1	1/P	
24	6LJ56272000	RAIL-FEED-UNIT-L-H21X_H	1	1/P	
25	6LH05511000	SCREW-M3X8-3.2-P	1	5/P	
26	X0-00966000	RR/E-5-SS	3	10/P	
27	X0-02420000	S/TPS/FHEXM/R-3X8-ZU3	6	10/P	
28	6LJ56271000	SPG-C-SLIDER-H21X_H	1	1/P	
29	6LJ56242000	ASYS-ROLL-FEED-H21X_H	2	1/P	
30	6LJ56243000	ASYS-ROLL-SPT-H21X_H	1	1/P	
31	6LJ56289000	TL-SEP-ORG-400	1	1/P	
32	6LJ66800000	MYLAR-BLIND-FEED-UNIT	1	5/P	
33	6LJ56296000	RUBBER-SPACE-FEED	1	1/P	
34	6LJ56295000	MYLAR-SPACE-FEED	1	1/P	
35	6LJ56339000	ASYB-ROL-TRANS-H21Y	1	1/KP	
36	44201492000	BUSH-6-POM	1	5/P	
37	4407972860	STOP-RING-6-5	1	5/P	
38	6LJ56340000	ASYB-GUIDE-FEED-L-H21Y	1	1/PP	
39	41306265000	STOP-RING-8	1	1/P	
40	6LJ56274000	LEVER-FEED-UNIT-H21X_H	2	1/P	
41	6LJ56361000	SHEET-ERS-FEED-H21Y	1	1/KP	



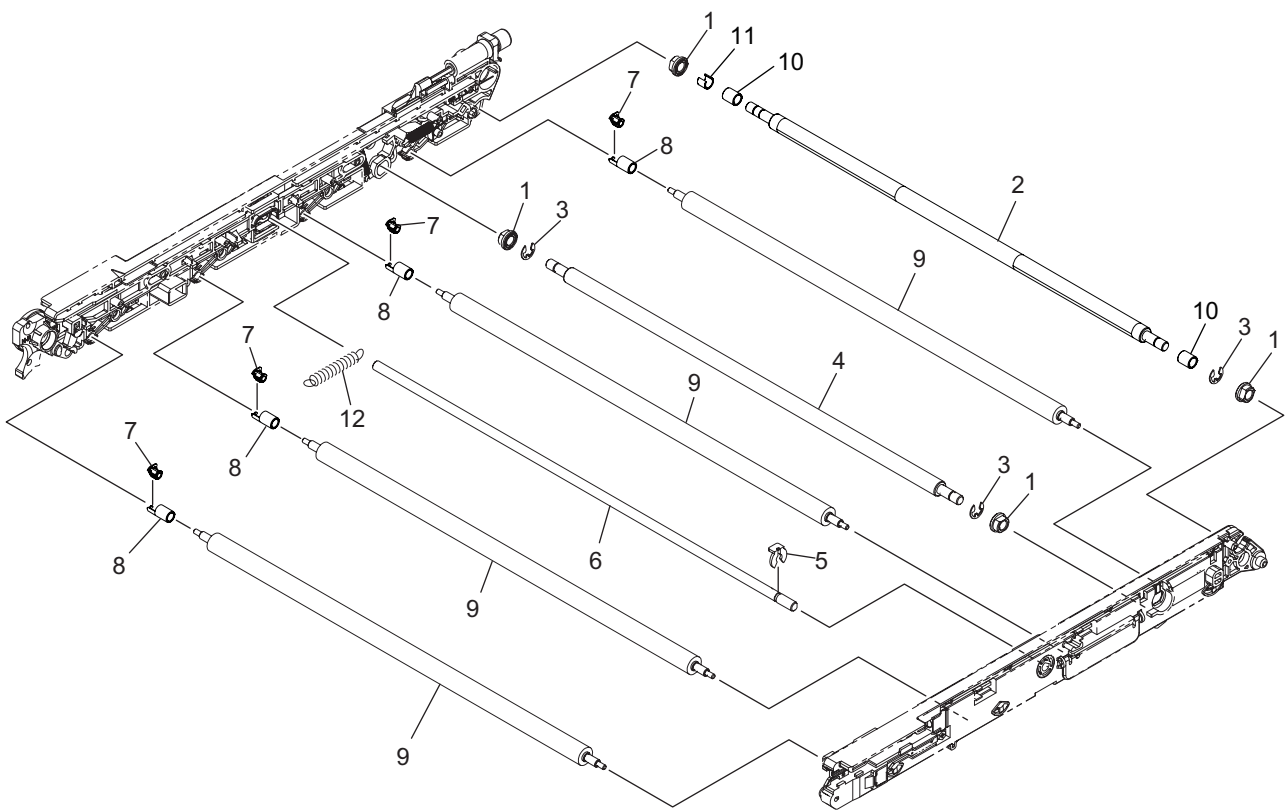
ITEM No.	PART No.	PART NAME	Q'TY / PAGE	Q'TY / PACK	REMARKS
1 A	6AG00005100	PS-TBFC50	1	SUPPLY	NAD,AUD,ASD,ARD
1 B	6AG00005101	PS-TBFC50E	1	SUPPLY	MJD
1 C	6AG00005102	PS-TBFC50C	1	SUPPLY	CND
3	6LJ53756000	ASYB-COVER-INNR-WTNR-H21Y	1	1/PP	
4	C0-17839000	LG2A14BL1	1	1/C	
5	6LJ60319000	HRNS-UTNR-210	1	1/P	
6	6LE28372000	WSHR-6R2X12XR5-APS	1	5/P	
7	44201492000	BUSH-6-POM	1	5/P	
8	6LJ54683000	COUPL-DRV-WTNR	1	1/P	
9	6LJ54694000	MOTRD-PDL-210	1	1/D	
10	6LJ54729000	HLDR-DRV-WTNR	1	1/P	
11	6LJ54640000	SHAFT-DRV-WTNR	1	1/P	
12	6LJ54636000	COLAR-DRV-WTNR	1	1/P	
13	6LJ54649000	SPG-C-10R7XR6X30R3R-WTNR	1	1/P	
14	6LJ54637000	GEAR-15S16-6-COUPL-WTNR	1	1/P	
15	6LJ54638000	SLIT-DRV-WTNR	1	1/P	
16	6LJ54639000	GEAR-5H66-6-DRV-WTNR	1	1/P	
17	X0-01670000	S/PAN-M2.6X4-NC	2	10/P	
18	X0-00966000	RR/E-5-SS	3	10/P	
19	X0-02420000	S/TPS/FHEXM/R-3X8-ZU3	9	10/P	



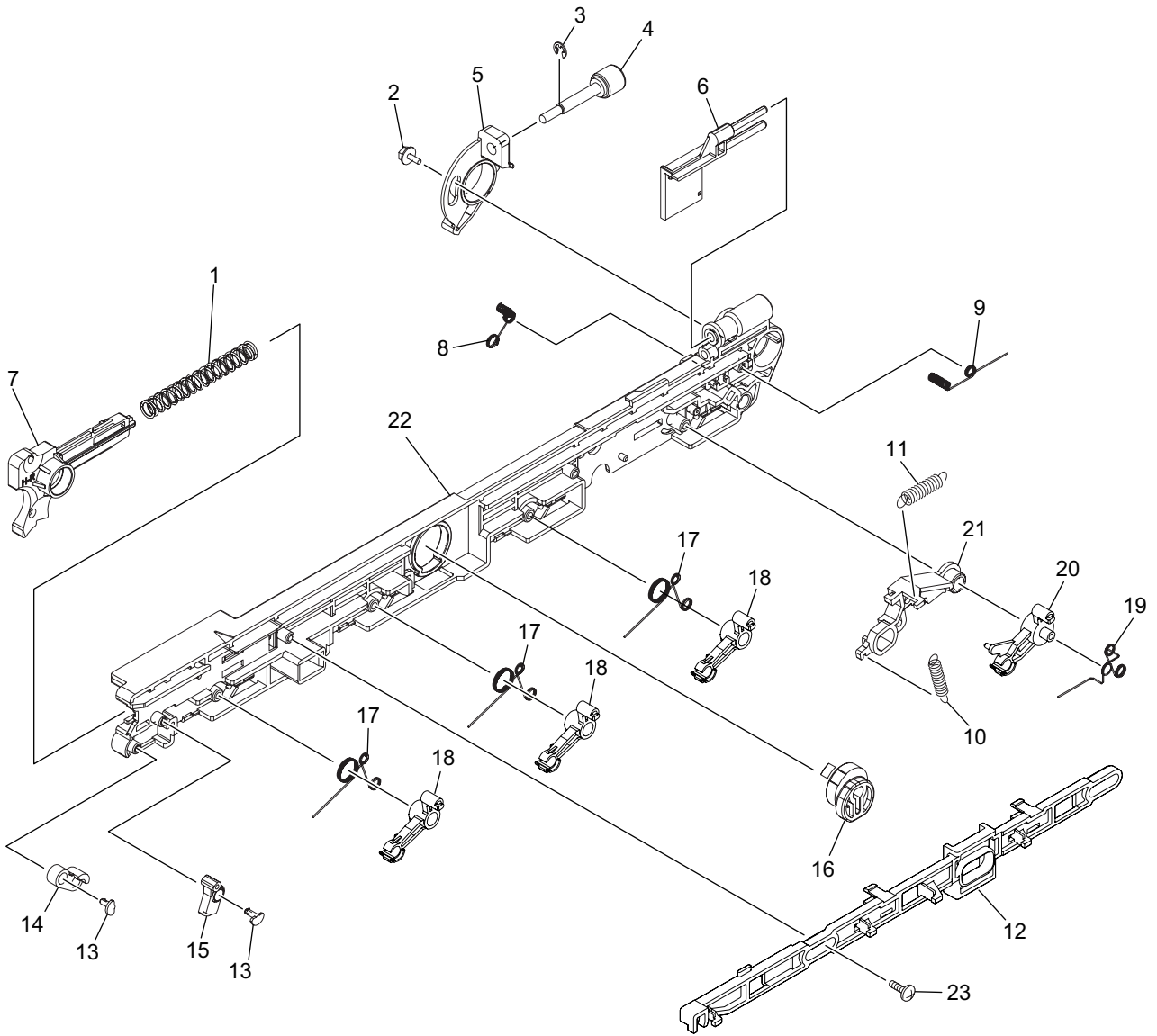
ITEM No.	PART No.	PART NAME	Q'TY / PAGE	Q'TY / PACK	REMARKS
1	X0-02230000	S/FHEXM-M3X6-NI	2	10/P	
2 A	6LJ59850000	ASYS-GLASS-H21Y-A	1	1/C	MJD,AUD,ASD,ARD
2 B	6LJ59850200	ASYS-GLASS-H21Y-K	1	1/C	CND
2 C	6LJ59850100	ASYS-GLASS-H21Y-L	1	1/C	NAD
3	6LJ59765000	ASYS-GLASS-ADF-H21X	1	1/C	
4	F0-01496000	RLMC-01TV0	2	5/P	



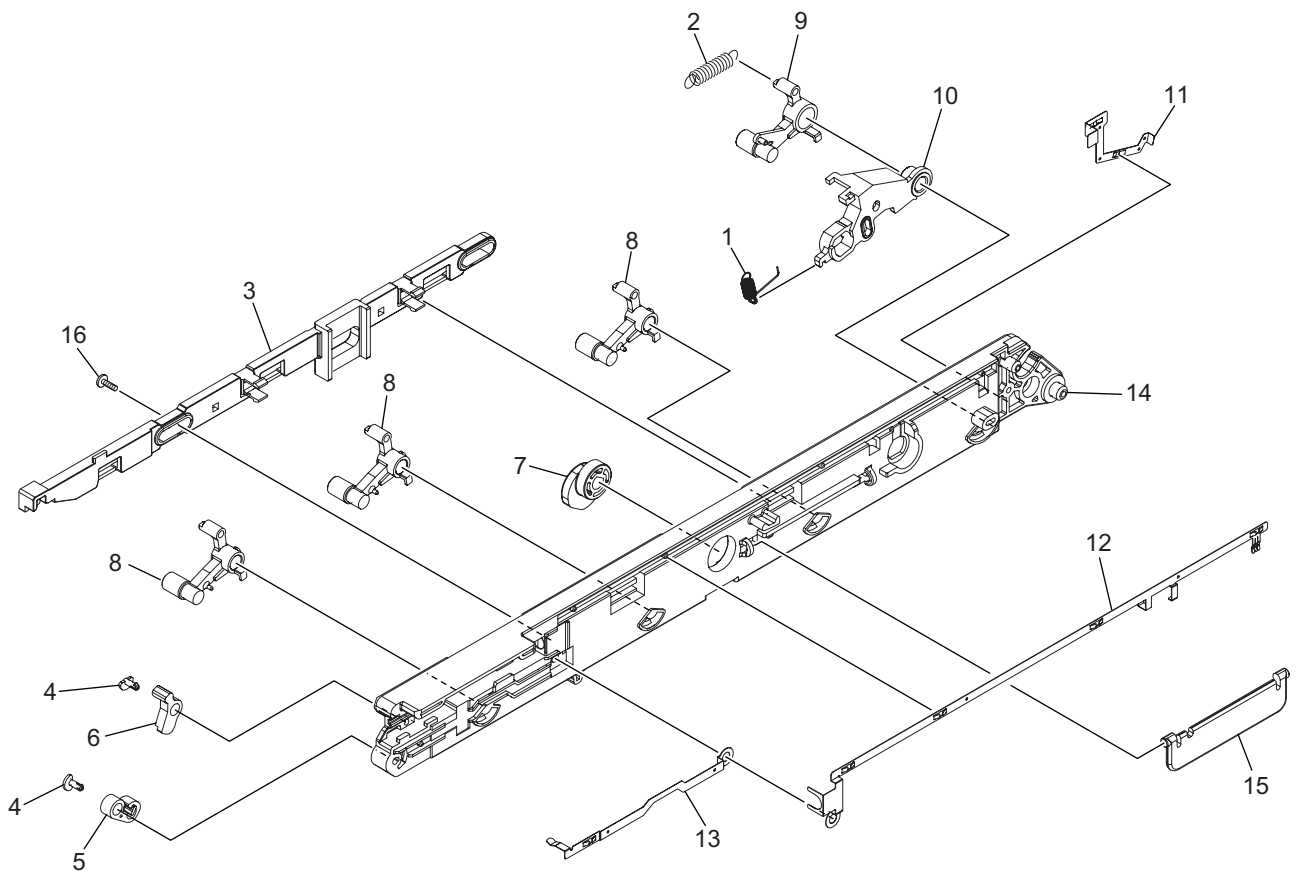
ITEM No.	PART No.	PART NAME	Q'TY / PAGE	Q'TY / PACK	REMARKS
1	6LJ55518000	SHAFT-STY-TBU	1	1/P	
2	4407734980	BUSH-6-GCB	1	5/P	
3	6LJ55588000	LIFT-ARM-TR1-K	1	1/P	
4	6LJ55578000	CAM-K-LIFT-F	1	1/P	
5	6LJ55489000	CAM-K-LIFT-R	1	1/P	
6	6LJ55494000	SHAFT-K-LIFT	1	1/P	
7	6LH03574000	RRG-4-P	4	1/P	
8	6LJ55433000	RLR-LIFT-TBU-H21X	1	1/KP	
10	6LJ55566000	ASYS-RLRCLN-H21Y	1	1/KP	
12	6LJ55430000	GEAR-S08-32-TBU	1	1/P	
13	X0-00434000	S/BID-M3X8-NI	1	10/P	
14	6LJ70648000	BELT-TBU-H21Y	1	1/S	
15	6LJ55472000	SPG-C-TNS-TBU-20N	1	1/P	
16	6LJ55561000	HLDR-TNSF-H21Y	1	1/P	
17	6LJ55450000	WIRE-GND-CLN-TBU	1	1/P	
18	6LA80090000	S/TPP/BID-3X8-NI	1	5/P	
19	X0-00964000	RR/E-3-SS	1	10/P	
20	X0-02247000	S/TPP/FHEXM-3X8-NI	1	10/P	
21	6LJ55576000	LOCK-TBU-F	1	1/P	
22	6LJ55516000	SCREW-TBU-LOCK	1	1/P	
23	6LJ55550000	ASYS-HLDR-TR2-F	1	1/P	
24	X0-00077000	S/PAN/SWWP-M3X8-NI	2	10/P	
25	6LJ55438000	STAY-TBU-H21X	1	1/P	
26	X0-02231000	S/FHEXM-M3X8-NI	2	10/P	
27	6LJ55582000	ASYS-RLR-TR2-TBU-H21X	1	1/KP	



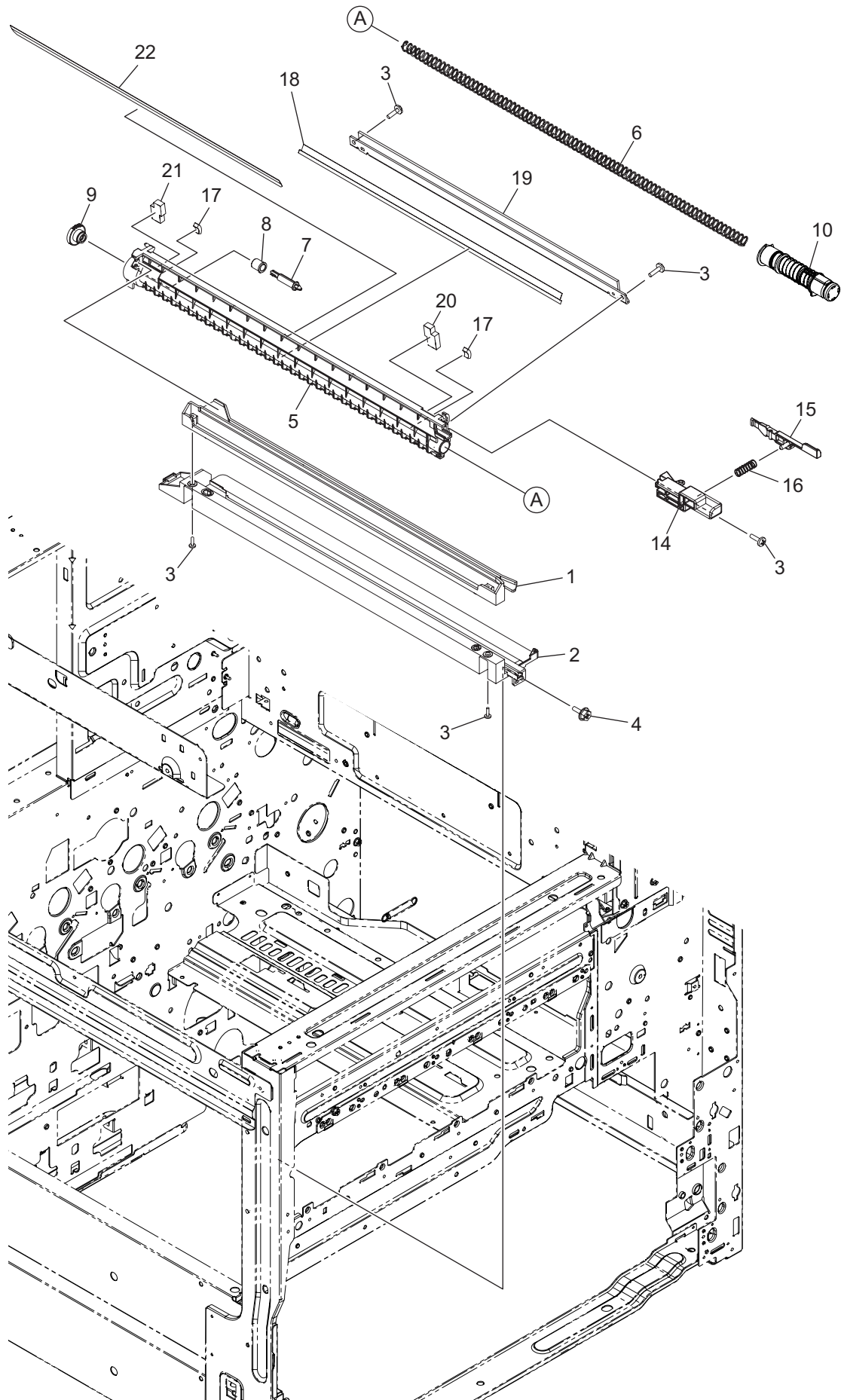
ITEM No.	PART No.	PART NAME	Q'TY / PAGE	Q'TY / PACK	REMARKS
1	4407734980	BUSH-6-GCB	4	5/P	
2 A	6LJ55535000	RLR-RIGID-TBU-H21X-TP04	1	1/KP	e-STUDIO2555C/3555C
2 B	6LJ55589000	RLR-RIGID-TBU-H21X-TP04	1	1/KP	e-STUDIO4555C/5055C
3	X0-00966000	RR/E-5-SS	3	10/P	
4	6LJ55512000	RLR-KSET-TBU-H21X	1	1/P	
5	44201801000	STOP-RING-6-1.5	1	5/P	
6	6LJ55410000	SHAFT-LINK-TBU	1	1/P	
7	6LJ5553000	BUSH-EL-TR1-H21X	4	1/P	
8	6LJ5554000	BUSH-TR1-H21X	4	1/P	
9	6LJ70588000	CR-FC50TR1	4	1/S	
10	6LJ55536000	COLLAR-TBU-H21X	2	1/P	
11	6LJ55537000	COL-RIGID-TBU-H21X	1	1/P	
12	6LJ55548000	SPG-E-LINK-TBU	1	1/P	



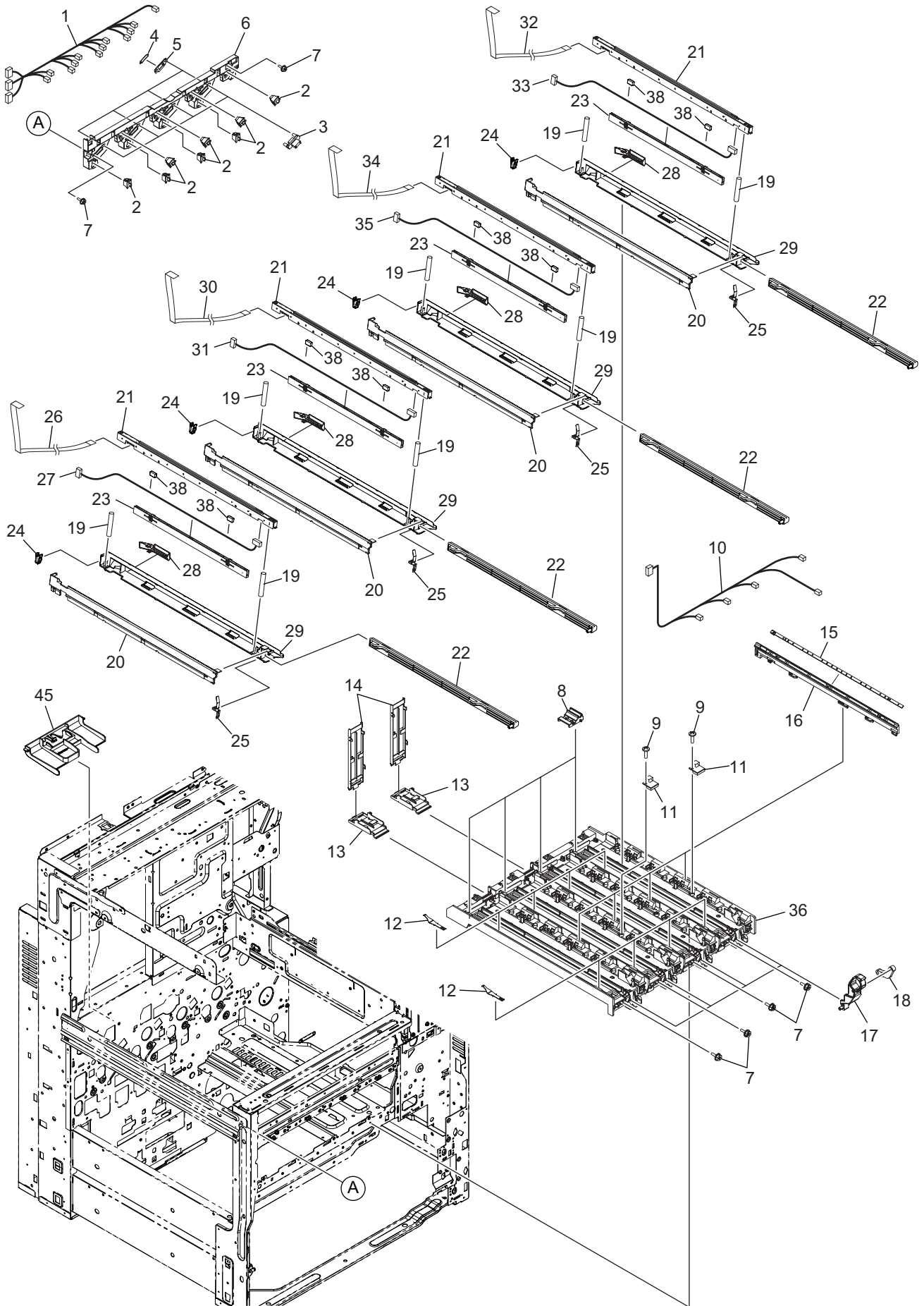
ITEM No.	PART No.	PART NAME	Q'TY / PAGE	Q'TY / PACK	REMARKS
1	6LJ55472000	SPG-C-TNS-TBU-20N	1	1/P	
2	X0-02246000	S/TPP/FHEXM-3X6-NI	1	10/P	
3	X0-00964000	RR/E-3-SS	1	10/P	
4	6LJ55516000	SCREW-TBU-LOCK	1	1/P	
5	6LJ55467000	LOCK-TBU-R	1	1/P	
6	6LJ55515000	LINK-LOCK-TBU	1	1/P	
7	6LJ55562000	HLDR-TNSR-H21Y	1	1/P	
8	6LJ55473000	SPG-T-HV-TR2-OUTSIDE	1	1/P	
9	6LJ55474000	SPG-T-HV-TR2-INSIDE	1	1/P	
10	6LJ55498000	SPG-E-K-LIFT-R	1	1/P	
11	6LJ55470000	SPG-E-TR1-TBU	1	1/P	
12	6LJ55551000	LINK-TBU-R-H21X	1	1/PP	
13	6LJ55513000	STOP-RING-LIFT	2	1/P	
14	6LJ55573000	HLDR-LIFT-TBU-R	1	1/P	
15	6LJ55591000	CAM-LIFT-R-H21X	1	1/P	
16	6LJ55412000	COUPL-CAM-TBU-R	1	1/P	
17	6LJ55475000	SPG-T-HV-TR1	3	1/P	
18	6LJ55556000	ARM-TR1-R	3	1/P	
19	6LJ55509000	SPG-T-HV-TR1-K	1	1/P	
20	6LJ55555000	ARM-TR1-K-R	1	1/P	
21	6LJ55492000	HLDR-ROL-K-R	1	1/P	
22	6LJ55594000	ASYS-FRAME-TBU-R-H21X	1	1/PP	
23	6LA80090000	S/TPP/BID-3X8-NI	1	5/P	



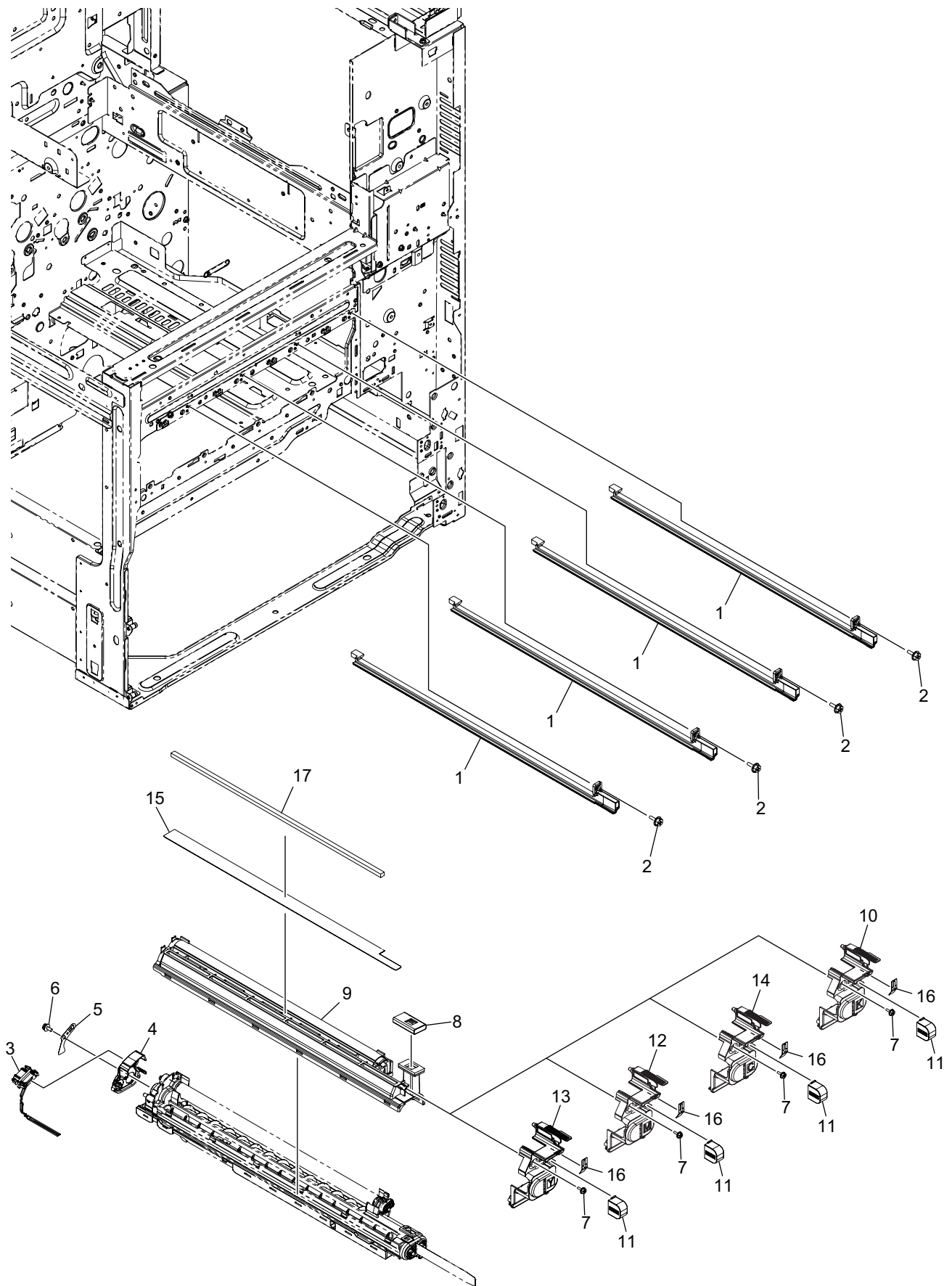
ITEM No.	PART No.	PART NAME	Q'TY / PAGE	Q'TY / PACK	REMARKS
1	6LJ55497000	SPG-E-K-LIFT-F	1	1/P	
2	6LJ55470000	SPG-E-TR1-TBU	1	1/P	
3	6LJ55437000	LINK-TBU-F-H21X	1	1/PP	
4	6LJ55513000	STOP-RING-LIFT	2	1/P	
5	6LJ55574000	HLDR-LIFT-TBU-F	1	1/P	
6	6LJ55590000	CAM-LIFT-F-H21X	1	1/P	
7	6LJ55411000	CAM-TR1-TBU-F	1	1/P	
8	6LJ55417000	ARM-TR1-F	3	1/P	
9	6LJ55500000	ARM-TR1-K-F	1	1/P	
10	6LJ55491000	HLDR-ROL-K-F	1	1/P	
11	6LJ55449000	SPG-F-GND-RIGID-TBU	1	1/P	
12	6LJ55447000	SPG-F-GND-K-TBU	1	1/PP	
13	6LJ55448000	SPG-F-GND-LIFT-TBU	1	1/P	
14	6LJ55592000	FRAME-TBU-F-H21X	1	1/PP	
15	6LJ55517000	HANDLE-TBU-F-H21X	1	1/P	
16	6LA80090000	S/TPP/BID-3X8-NI	1	5/P	



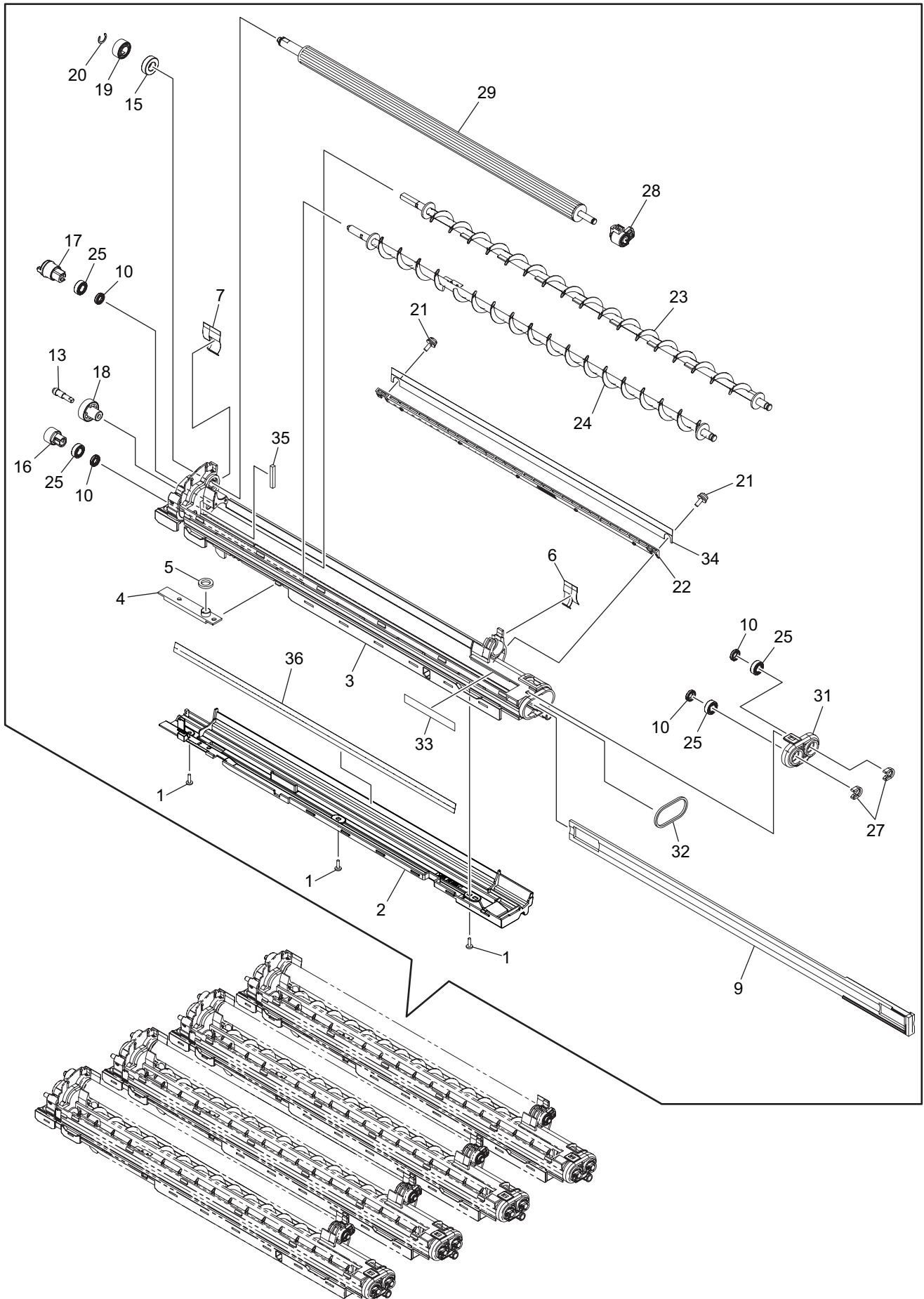
ITEM No.	PART No.	PART NAME	Q'TY / PAGE	Q'TY / PACK	REMARKS
1	6LJ55431000	GUIDE-CLN-TBU-UPPER	1	1/P	
2	6LJ55432000	GUIDE-CLN-TBU-LOWER	1	1/PP	
3	6LA80090000	S/TPP/BID-3X8-NI	5	5/P	
4	X0-02420000	S/TPS/FHEXM/R-3X8-ZU3	1	10/P	
5	6LJ55400000	FRAME-CLN-TBU-H21X	1	1/PP	
6	6LJ55415000	SP-AUGER-G10-P5-S1	1	1/P	
7	6LJ5552000	BUSH-JOINT-TBU-H21X	1	1/P	
8	6LJ55503000	BUSH-AUGER-TBUCLN	1	1/P	
9	6LJ55403000	GEAR-CLN-TBU-H21X	1	1/P	
10	6LJ55549000	ASYB-NOZZLE-CLNR-H21X	1	1/D	
14	6LJ55502000	HANDLE-TBUCLN	1	1/P	
15	6LJ55506000	HANDLE-LOCK-TBUCLN	1	1/P	
16	6LJ55507000	SPG-C-LOCK-TBUCLN	1	1/P	
17	6LJ55446000	SEAL-BLADE-BACK-TBU	2	1/P	
18	6LJ55442000	SHEET-AUGER-TBU-H21X	1	1/KP	
19	6LJ70396000	BL-FC30TR	1	1/S	
20	6LJ55444000	SEAL-SIDE-TBU-F	1	1/P	
21	6LJ55445000	SEAL-SIDE-TBU-R	1	1/P	
22	6LJ55443000	SHEET-REC-TBU-H21X	1	1/KP	



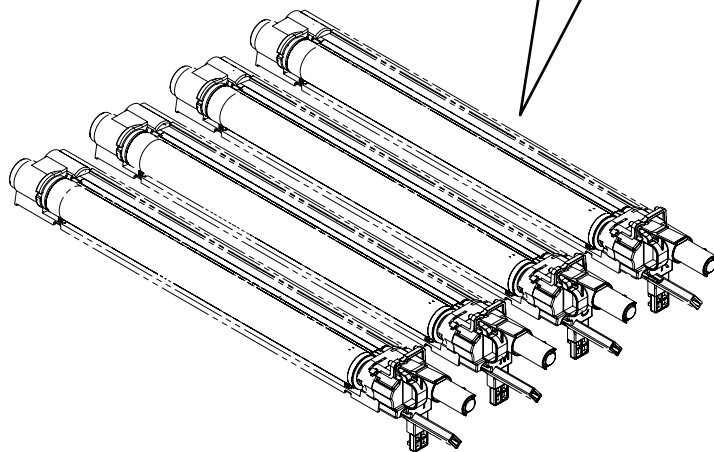
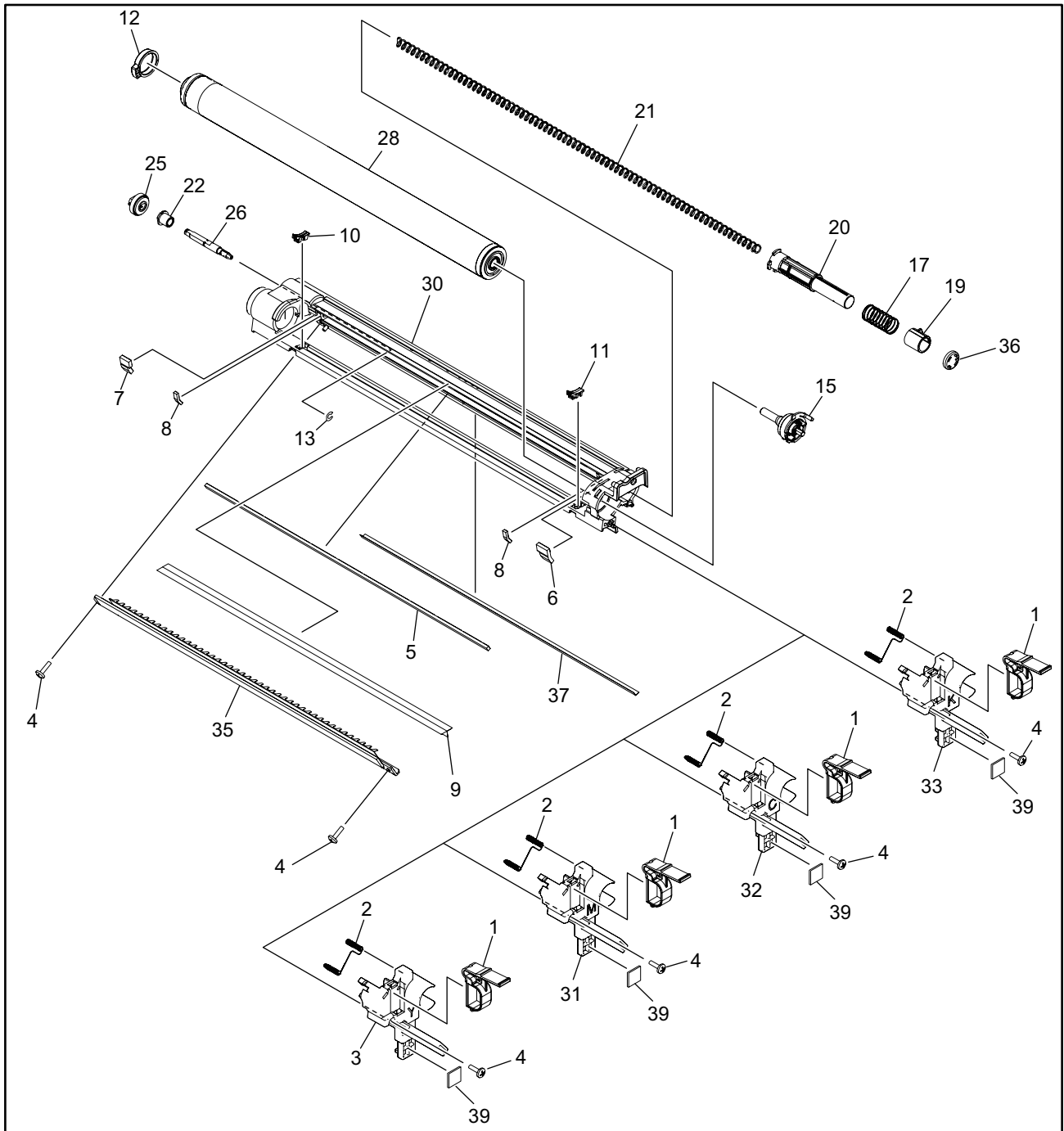
ITEM No.	PART No.	PART NAME	Q'TY / PAGE	Q'TY / PACK	REMARKS
1	6LJ60862000	HRNS-LGC-ATEPU-212	1	1/P	
2	E0-01853000	CS1A-B2CA	8	1/D	
3	E0-14465000	06R-RIZ-K4GG-FL (LF)(SN)	4	1/P	
4	6LJ54089000	SPG-E-DRW	4	1/P	
5	6LJ54088000	PLATE-HOLD-DRW	4	1/P	
6	6LJ54181000	BASE-DRW-RER-B	1	1/PP	
7	X0-02420000	S/TPS/FHEXM/R-3X8-ZU3	6	10/P	
8	6LJ54657000	COVER-HRNS	4	1/P	
9	6LA80090000	S/TPP/BID-3X8-NI	2	5/P	
10	6LJ60873000	HRNS-LGC-DLED-212	1	1/P	
11	6LJ60539000	THMS-DRM-H210	2	1/SB	
12	6LJ54669000	SPG-F-PUSHER-DEV-21X	8	1/P	
13	6LJ54746000	GUIDE-HRNS-LED-MID	2	1/P	
14	6LJ54665000	GUIDE-HRNS-LED	2	1/P	
15	6LJ61245000	LAMP-ERASE-H212	4	1/SB	
16	6LJ54745000	HOLDER-LED-ERASE	4	1/PP	
17	6LJ54741000	LEVER-LED	4	1/P	
18	6LJ54666000	LINK-LED-LEVER	4	1/P	
19	6LJ54634000	SPG-C-8R1XR7X46R5-LED	8	1/P	
20	6LJ54661000	CASE-LED-LEFT	4	1/PP	
21	6LJ54736000	ASYS-LED-HEAD	1	1/D	
22	6LJ54743000	LEVER-LED-DOWN	4	1/P	
23	6LJ54658000	LINK-GUIDE-HRNS-LED	4	1/PP	
24	6LJ54668000	SPG-F-EARTH-RER	4	1/P	
25	6LJ54667000	SPG-F-EARTH-FRT	4	1/C	
26	6LJ61212100	ASYS-HRNS-LGC-HEADY-212YS	1	1/P	
27	6LJ60882000	HRNS-LGC-YLEDP-212	1	1/P	
28	6LJ54663000	DUCT-COVER-OZONE	4	1/P	
29	6LJ54730000	CASE-LED-RIGHT	4	1/PP	
30	6LJ61213100	ASYS-HRNS-LGC-HEADM-212YS	1	1/P	
31	6LJ60883000	HRNS-LGC-MLEDP-212	1	1/P	
32	6LJ61215100	ASYS-HRNS-LGC-HEADK-212YS	1	1/P	
33	6LJ60885000	HRNS-LGC-KLEDP-212	1	1/P	
34	6LJ61214100	ASYS-HRNS-LGC-HEADC-212YS	1	1/P	
35	6LJ60884000	HRNS-LGC-CLEDP-212	1	1/P	
36 A	6LJ54752100	ASYS-GUIDE-EPU-H2	1	1/PP	e-STUDIO4555C/5055C
36 B	6LJ54752000	ASYS-GUIDE-EPU-H1	1	1/PP	e-STUDIO2555C/3055C/3555C
38	6LJ54742000	SHEET-GUIDE-HRNS	8	5/P	
42	6LJ54734000	SPACER-LED	4	5/P	
45	6LJ54723000	GUIDE-HRNS-LED-H21Y	1	1/P	



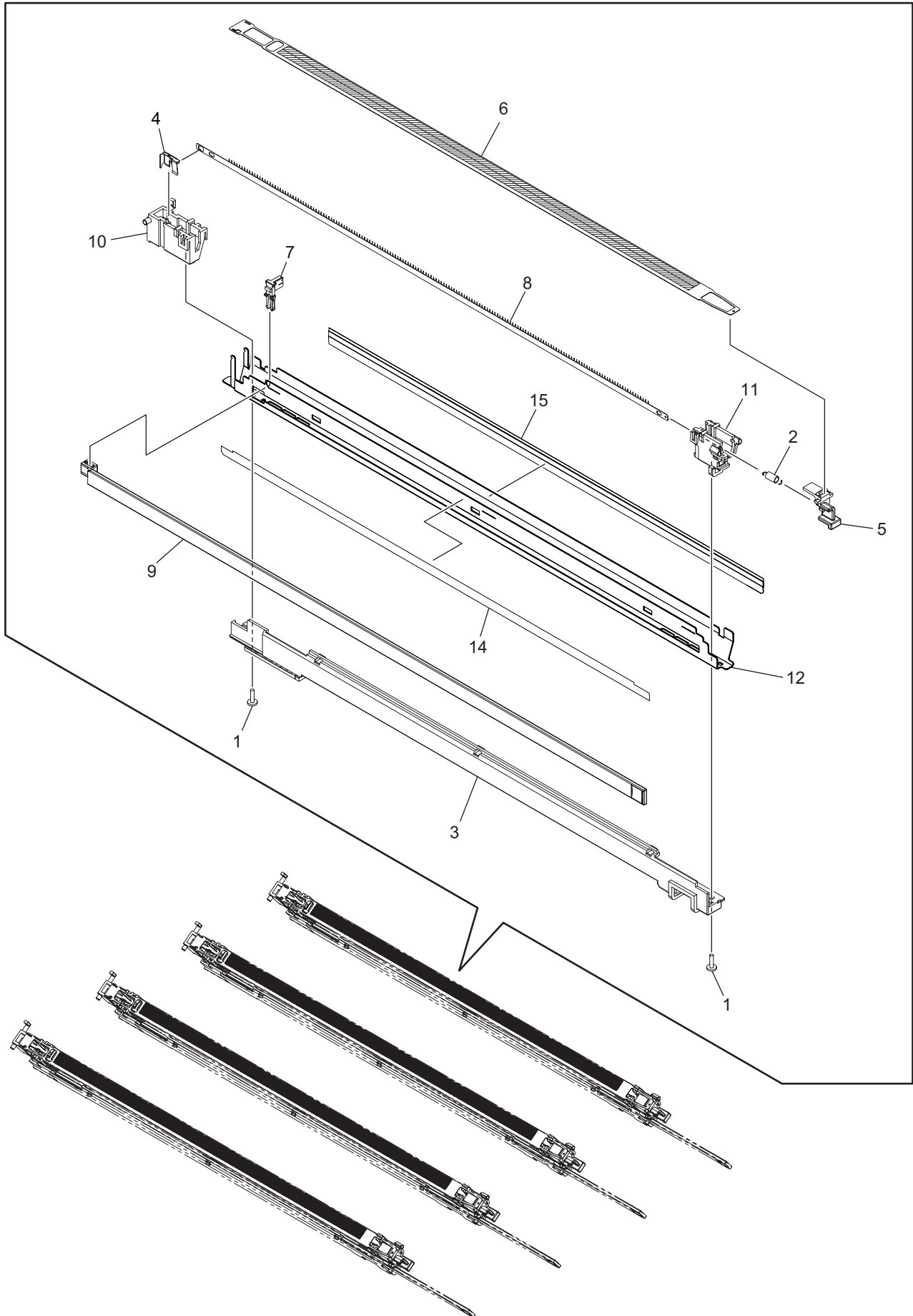
ITEM No.	PART No.	PART NAME	Q'TY / PAGE	Q'TY / PACK	REMARKS
1	6LJ54755000	RAIL-CLNR-UNIT-H21X	4	1/KP	
2	X0-02420000	S/TPS/FHEXM/R-3X8-ZU3	4	10/P	
3	6LJ60214000	HRNS-ATTNR-210	4	1/P	
4	6LJ54043000	BRKT-STUD-GEAR-IDLE	4	1/P	
5	6LJ54063000	ADJSTR-MG-21X	4	1/P	
6	X0-00059000	S/PAN/SWWS-M3X6-NI	4	10/P	e-STUDIO2555C/3055C/3555C e-STUDIO4555C/5055C
7	X0-02247000	S/TPP/FHEXM-3X8-NI	4	10/P	
8	6LJ54053000	SHUT-TNR-DEV-21X	4	1/P	
9 A	6LJ54193100	ASYS-COV-DEV-21Y	4	1/PP	
9 B	6LJ54193200	ASYS-COV-DEV-21YH2	4	1/P	
10 A	6LJ54163400	COV-DEV-FRT-21X-HK	1	1/PP	e-STUDIO4555C/5055C
10 B	6LJ54163000	COV-DEV-FRT-21X-K	1	1/PP	e-STUDIO2555C/3555C
10 C	6LJ54163400	COV-DEV-FRT-21X-HK	1	1/PP	e-STUDIO4555C/5055C
11	6LJ54109000	HNDL-DEV-FRT-21X	4	1/P	
12 A	6LJ54163600	COV-DEV-FRT-21X-HM	1	1/PP	e-STUDIO4555C/5055C
12 B	6LJ54163200	COV-DEV-FRT-21X-M	1	1/PP	e-STUDIO2555C/3555C
13 A	6LJ54163700	COV-DEV-FRT-21X-HY	1	1/PP	e-STUDIO4555C/5055C
13 B	6LJ54163300	COV-DEV-FRT-21X-Y	1	1/PP	e-STUDIO2555C/3555C
14 A	6LJ54163500	COV-DEV-FRT-21X-HC	1	1/PP	e-STUDIO4555C/5055C
14 B	6LJ54163100	COV-DEV-FRT-21X-C	1	1/PP	e-STUDIO2555C/3555C
15	6LJ54085000	SHEET-PRIN-DEV	4	1/KP	
16	6LJ54693000	LBL-ARROW-CLN	4	1/P	
17	6LJ54200000	SEAL-COV-DEV-2	4	1/KP	



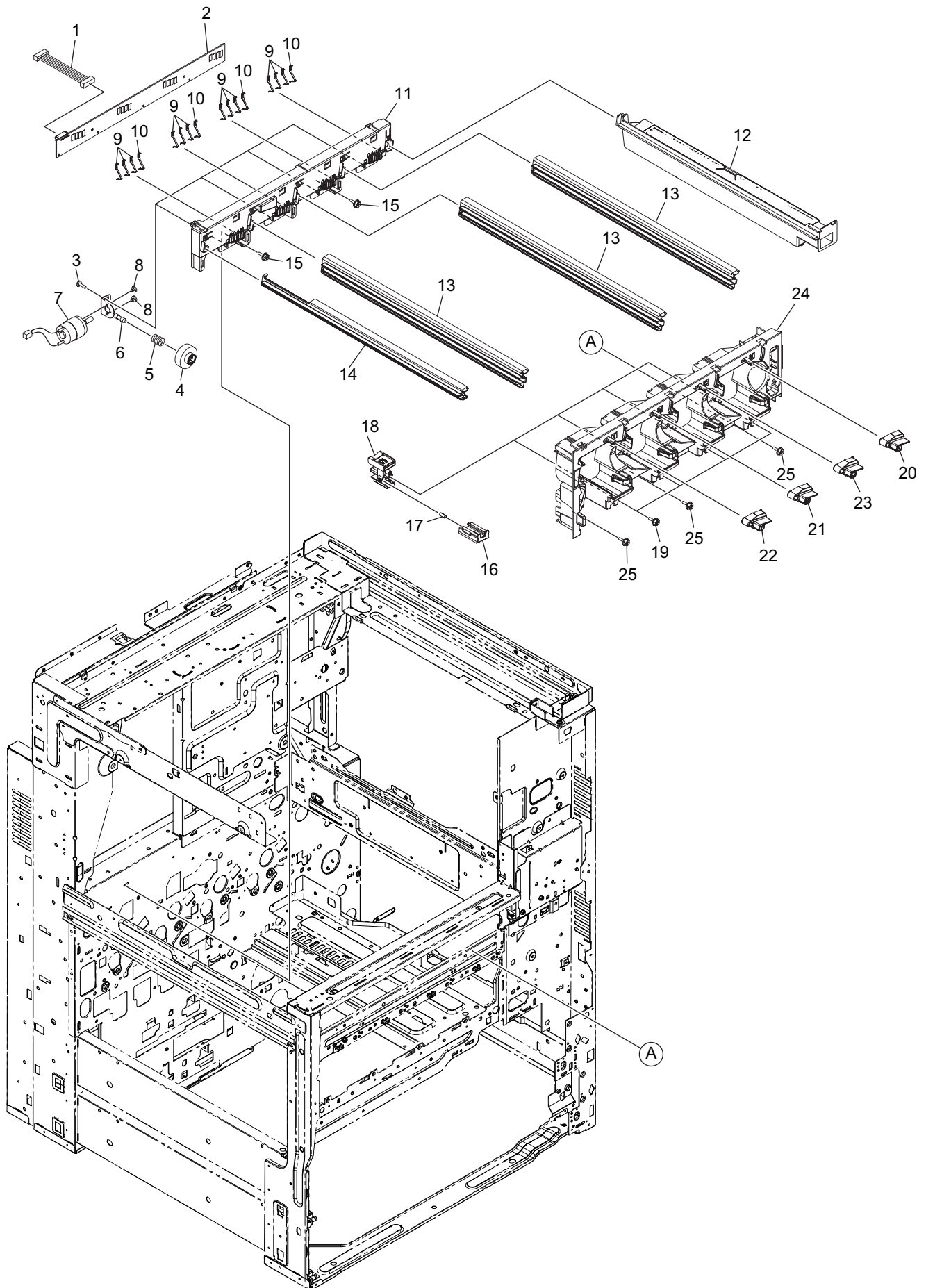
ITEM No.	PART No.	PART NAME	Q'TY / PAGE	Q'TY / PACK	REMARKS
1 2 A 2 B 3 4	6LA80090000 6LJ54167000 6LJ54209000 6LJ54186000 6LJ60501000	S/TPP/BID-3X8-NI DUCT-COOL-DEV-21Y ASYS-DUCT-COOL-DEV-21Y ASYS-CASE-DEV-SEAL-21Y SNSR-ATC-H210	12 4 4 4 4	5/P 1/P 1/P 1/PP 1/C	e-STUDIO2555C/3055C/3555C e-STUDIO4555C/5055C
5 6 7 9 10	6LA29904000 6LJ54072000 6LJ54073000 6LJ54236000 4401949290	SEAL-ATC-BLK SEAL-RLR-MAGT-SIDE-FRT SEAL-RLR-MAGT-SIDE-RER ASYS-SPRTR-DEV-21X SEAL-VC6-10-2.5	4 4 4 4 16	5/P N/A*** N/A*** 1/P 1/P	
13 15 16 17 18 A	6LJ54145000 F0-02111000 6LJ54056000 6LJ54055000 6LJ54169000	STUD-GEAR-IDLE L-1680DDRP0P25LY551 GEAR-04H-29-9-MIX-SPLR GEAR-04H-29-9-MIX-AGIR ASYS-GEAR-IDLE-21Y	4 4 4 4 4	N/A*** 1/P 1/P 1/P 1/P	e-STUDIO4555C/5055C
18 B 19 20 21 22	6LJ54057000 6LJ54058000 F0-01499000 X0-00059000 6LJ54196000	GEAR-04H-42-6-IDLE-21X GEAR-04H-35-8-RLR-MG S5103-31 3BC S/PAN/SWWS-M3X6-NI ASYS-HLDR-DRM-H21X	4 4 4 8 1	1/P 1/P 10/P 10/P 1/KP	e-STUDIO2555C/3555C
23 24 25 A 25 B 27	6LJ54202000 6LJ54204000 F0-02074000 6LJ54048000 4407972860	MIXER-DEV-SPLR ASYS-MIXR-DEV-AGIR L-1260X2DDRP0P25LY551 BUSH-6X12X4-671 STOP-RING-6-5	4 4 16 16 8	1/KP 1/KP 1/P 1/P 5/P	e-STUDIO4555C/5055C e-STUDIO2555C/3555C
28 29 31 32 33	6LJ54049000 6LJ54183000 6LJ54233000 6LJ54144000 6LJ54704000	BUSH-RLR-MAGT-FRT-21X RLR-MAGT-21X-100-2 BUSH-DEV-FRT-21X SEAL-BUSH-DEV-FRT-21X SHEET-DEV-SIDE	4 4 4 4 4	1/P 1/KP 1/P 1/P 1/P	
34 35 36	6LJ54153000 6LJ54155000 6LJ54182000	SEAL-DRUM-DEV SEAL-SPRTR-RER SHEET-DOC-COOL-21Y	4 4 4	1/KP 1/P 1/KP	



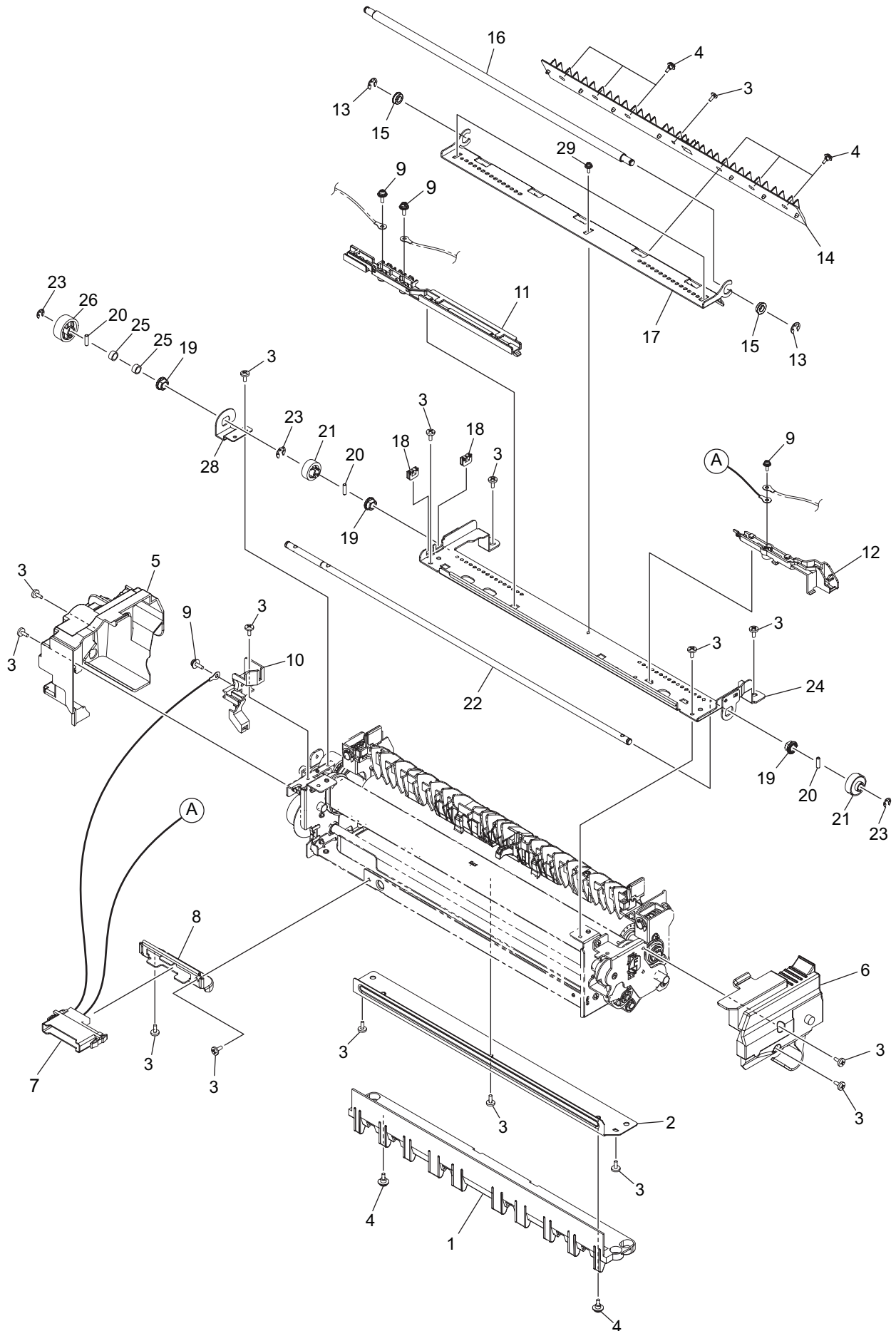
ITEM No.	PART No.	PART NAME	Q'TY / PAGE	Q'TY / PACK	REMARKS
1	6LJ54094000	HOOK-CLNR-DRUM-H21X	4	1/P	
2	6LJ54036000	SPG-DRUM-EARTH-H21X	4	1/P	
3	6LJ54007700	COV-DRUM-CLNR-F-H21X-HY	1	1/P	
4	6LA80090000	S/TPP/BID-3X8-NI	12	5/P	
5	6LJ54033000	SEAL-CASE-CLNR-H21X	4	1/KP	
6	6LJ54037000	SEAL-SIDE-FRT-H21X	4	5/P	
7	6LJ54038000	SEAL-SIDE-RER-H21X	4	5/P	
8	6LJ54034000	SEAL-BLADE-BACK-H21X	8	5/P	
9	6LJ54029000	BLADE-REC-H21X	4	1/KP	
10	6LJ54012000	SPACER-LED-RER-H21X	4	1/P	
11	6LJ54011000	SPACER-LED-FRT-H21X	4	1/P	
12	6LJ54005000	BUSH-DRUM-RER-H21X	4	1/P	
13	6LJ54091000	RRG-4-P-N	4	1/P	
15	6LJ54110000	ASYB-BUSH-DRUM-FRT-H21X	4	1/D	
17	6LJ54040000	SPG-SHUT-CNLR-DRUM-H21X	4	1/P	
19	6LJ54015000	SHUT-NOZZLE-CLNR-H21X	4	1/P	
20	6LJ54014000	NOZZLE-CLNR-AUGER-H21X	4	1/P	
21	6LJ54003000	SPG-AUGER-8-5_5-H21X	4	1/P	
22	6LJ54001000	BUSH-AUGER-RER-H21X	4	1/P	
25	6LJ54030000	GEAR-6S30-6-AUGER	4	1/P	
26	6LJ54013000	HOLDER-DOG-H21X	4	1/P	
28	6LJ70598000	OD-FC50	4	1/S	
30	6LJ54198000	ASYS-CASE-CLNR-DRUM-H21X	1	1/C	
31	6LJ54007600	COV-DRUM-CLNR-F-H21X-HM	1	1/P	
32	6LJ54007500	COV-DRUM-CLNR-F-H21X-HC	1	1/P	
33	6LJ54007400	COV-DRUM-CLNR-F-H21X-HK	1	1/P	
35	6LJ70395000	BL-FC30D	4	1/S	
36	6LJ54126000	CAP-NOZZLE-CLNR-D-H21X	4	1/P	
37	6LJ54146000	BLADE-CLN-H21X	4	1/KP	
39	6LJ54161000	SHEET-PUSHER-CLNR	4	5/P	



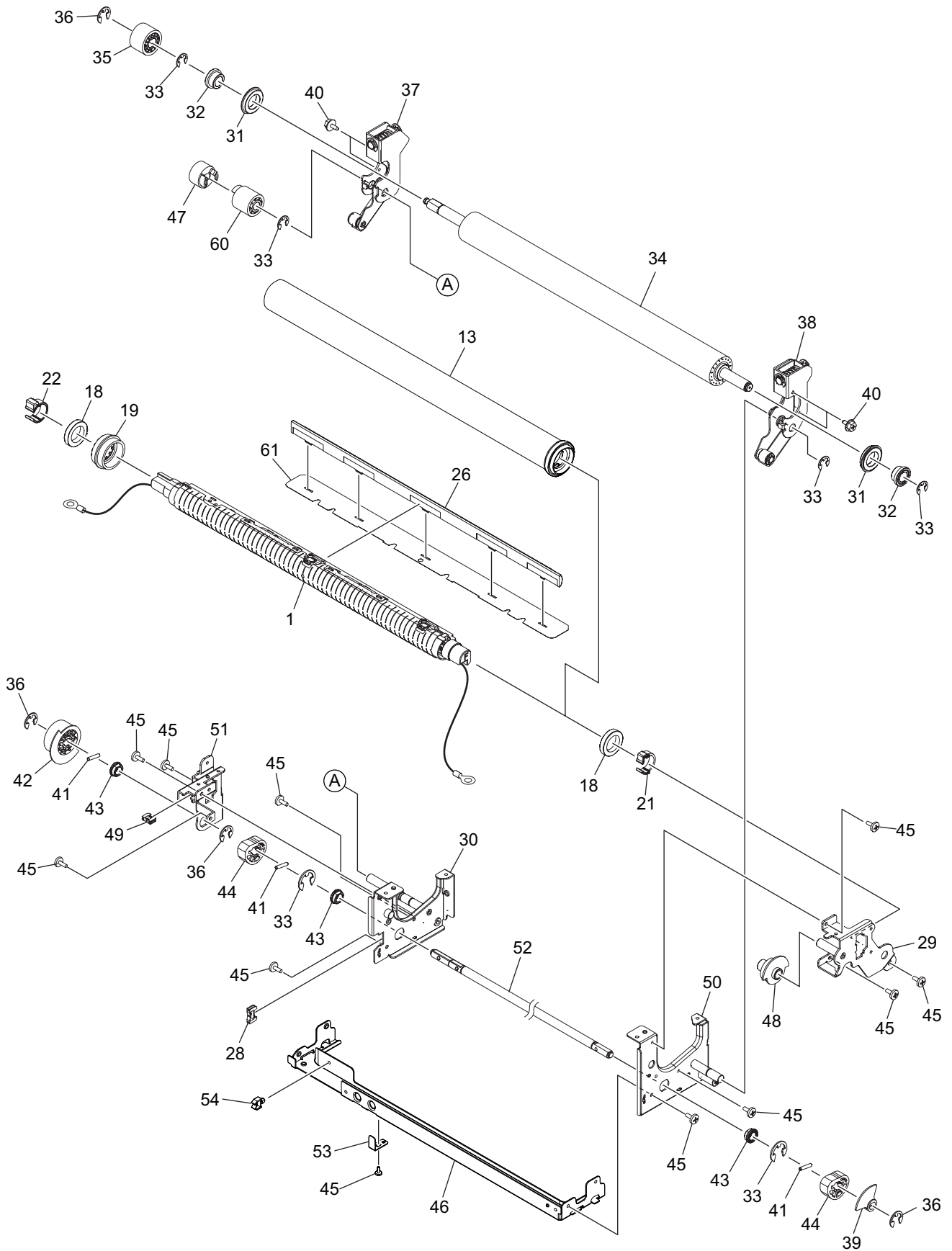
ITEM No.	PART No.	PART NAME	Q'TY / PAGE	Q'TY / PACK	REMARKS
1	6LA80090000	S/TPP/BID-3X8-NI	8	5/P	
2	6LE23557000	SPG-E-4XR5X11R2-CHARGR	4	5/P	
3	6LJ54112000	ASYS-DUCT-CHARGR-H21X	4	1/P	
4	6LJ54028000	SPG-F-BIAS-CHGR-H21X	4	1/P	
5	6LJ54234000	LEVER-GRID-CHARGR-H21X	4	1/P	
6	6LJ54180000	GRID-CHARGR-MAIN-H21Y	4	1/KP	
7	6LJ54093000	ASYS-HLDR-CLNR-CH-H21X	4	1/P	
8	6LJ54090000	PIN-ARRAY-CHARGR-H21X	4	1/KP	
9	6LJ54009000	ROD-CHARGR-MAIN-H21X	4	1/P	
10	6LJ54158100	TEARM-CHARGR-MAIN-R-H21Y	4	1/P	
11	6LJ54019000	TEARM-CHARGR-MAIN-F-H21X	4	1/P	
12	6LJ54017000	CASE-CHARGR-MAIN-H21X	4	1/P	
14	6LJ54021000	SHEET-CHARGR-LED	4	N/A***	
15	6LJ54022000	SHEET-CHARGR-RGT-H21X-B	4	N/A***	



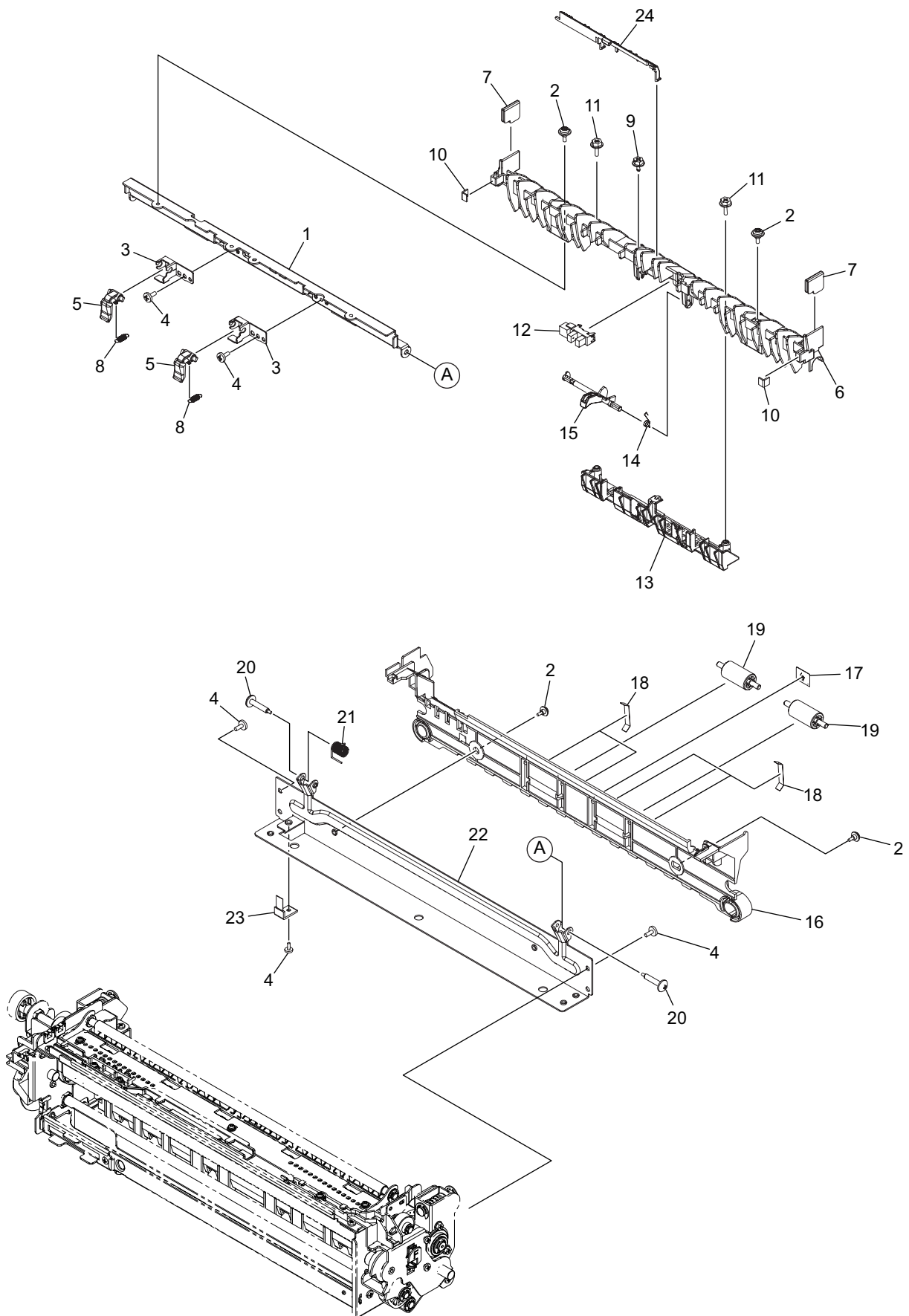
ITEM No.	PART No.	PART NAME	Q'TY / PAGE	Q'TY / PACK	REMARKS
1	6LJ60863000	HRNS-LGC-TNRIC-212	1	1/P	
2	6LJ60734000	ASYB-CTIF-210	1	1/SB	
3	6LA80090000	S/TPP/BID-3X8-NI	4	5/P	
4 A	6LJ54816300	GEAR-5H68-6-H21X-J	1	1/P	ASD
4 B	6LJ54816200	GEAR-5H68-6-H21X-D	1	1/P	AUD
4 C	6LJ54816000	GEAR-5H68-6-H21X-E	1	1/P	MJD,CND
4 D	6LJ54816100	GEAR-5H68-6-H21X-U	1	1/P	NAD,ARD
5	6LH39254000	SPG-C-11R8XR8X24R	4	1/P	
6	6LJ54809000	ASYS-TNRBKT-H21X	4	1/P	
7	6LH53764000	ASYS-MOTRD-TNR-470	4	1/C	
8	X0-02557000	S/BID-M2.6X3-NI	8	10/P	
9	6LJ54889000	SPG-F-TNRIC-H21X	12	1/P	
10	6LJ54890000	SPG-F-TNRIC-H21X-G	4	1/P	
11	6LJ54879000	HLDR-TNRDRV-H21X	1	1/PP	
12 A	6LJ53171000	ASYS-DUCT-STAY-FUS-H21Y	1	1/P	e-STUDIO2555C/3055C/3555C
12 B	6LJ53171100	ASYS-DUCT-STAY-FUS-H21YH	1	1/P	e-STUDIO4555C/5055C
13	6LJ54813000	STAY-TNR-H21X	3	1/P	
14	6LJ54812000	STAY-TNR-H21X-Y	1	1/P	
15	X0-02420000	S/TPS/FHEXM/R-3X8-ZU3	2	10/P	
16	6LJ54834000	ASYS-SHUTPIPE-H21X	4	1/P	
17	6LJ54893000	SPG-C-SHUT-TONER-N1	4	1/P	
18	6LJ54845000	ASYS-PIPE-H21X	4	1/P	
19	X0-02247000	S/TPP/FHEXM-3X8-NI	4	10/P	
20	6LJ54853300	ASYS-LVRTNR-H21X-K	1	1/P	
21	6LJ54853100	ASYS-LVRTNR-H21X-M	1	1/P	
22	6LJ54853000	ASYS-LVRTNR-H21X-Y	1	1/P	
23	6LJ54853200	ASYS-LVRTNR-H21X-C	1	1/P	
24	6LJ54880000	ASYS-COV-INNER-H21Y	1	1/PP	
25	X0-02231000	S/FHEXM-M3X8-NI	3	10/P	



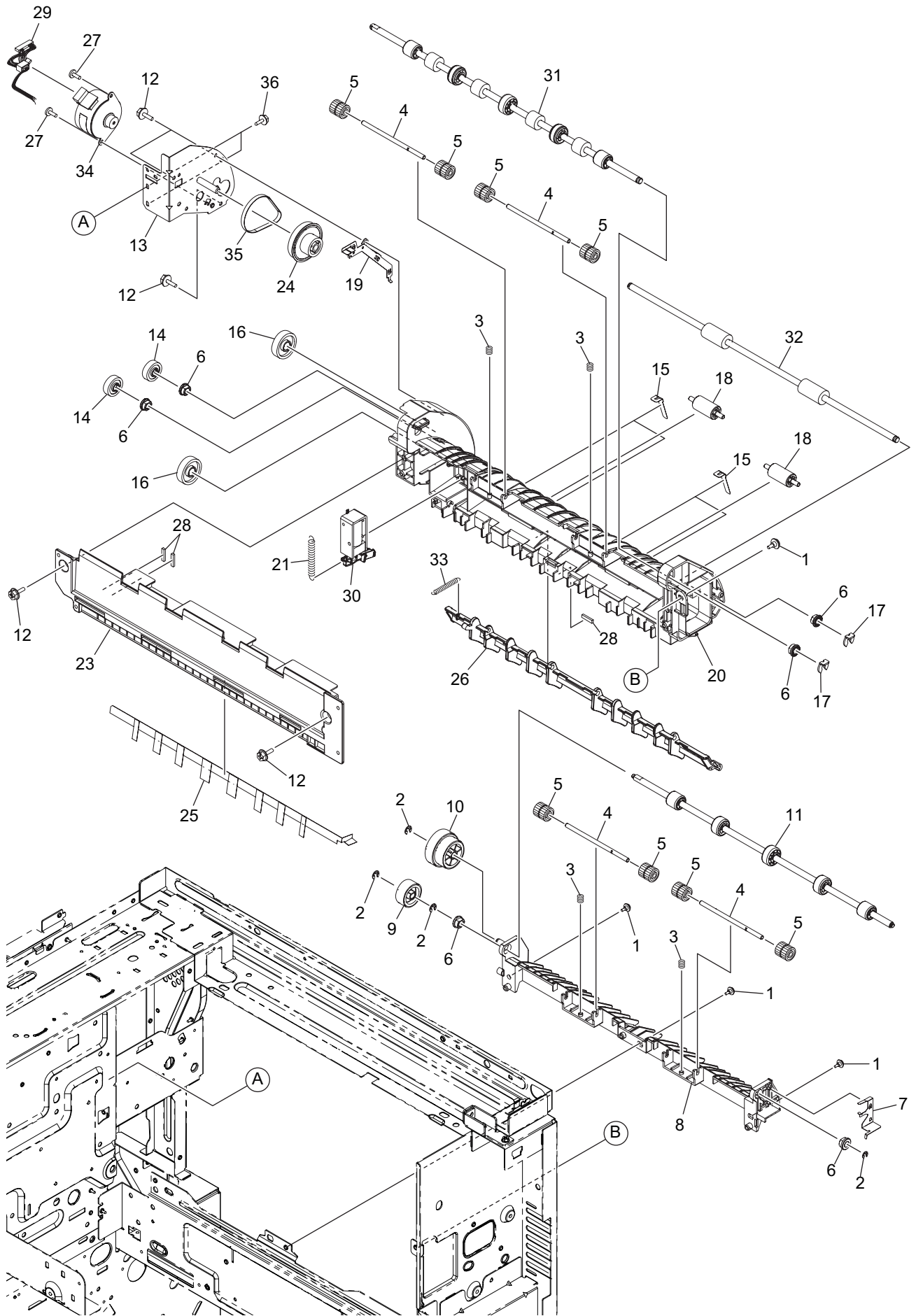
ITEM No.	PART No.	PART NAME	Q'TY / PAGE	Q'TY / PACK	REMARKS
1	6LJ58802000	GUIDE-ENT-PR-H212	1	1/P	
2	6LJ58638000	PLT-ENT-PR-H212	1	1/P	
3	X0-00430000	S/BID-M3X6-NI	16	10/P	
4	6LH36359000	SCREW-M3-D4X2.3	8	10/P	
5	6LJ58635000	COVER-FUS-R-H212	1	1/P	
6	6LJ58636000	COVER-FUS-F-H21Y	1	1/P	
7	6LJ60965000	HRNS-FUS-212	1	1/P	
8	6LJ58873000	BRKT-DRW-FUS-H212	1	1/P	
9	X0-00077000	S/PAN/SWWP-M3X8-NI	7	10/P	
10	6LJ58715000	ASYS-HLDR-HRNS-FUS-R-H212	1	1/P	
11	6LJ58765000	ASYS-HLDR-FUSE-INI	1	1/P	
12	6LJ58856000	ASYS-HLDR-HRNS-FUS-U-H212	1	1/P	
13	X0-00966000	RR/E-5-SS	2	10/P	
14	6LJ58891000	SCRAPER-H-02T	1	1/PP	
15	F0-02170000	LF-1060ZZHP0P25LY551	2	1/P	
16	6LJ58827000	RLR-FUS-EXIT-H21Y-SILICON	1	1/KP	
17	6LJ58735000	BRKT-SCRIP-M1	1	1/P	
18	F0-01844000	ES-0505-2-46	2	5/P	
19	6LH68707000	BUSH-6	3	1/P	
20	X0-01535000	P/PRL/AH7-3X12-SS	3	5/P	
21	6LJ58866000	GEAR-BL-I4	2	1/P	
22	6LJ58626000	SFT-BLT-D	1	1/P	
23	X0-00965000	RR/E-4-SS	3	10/P	
24	6LJ58751000	ASYS-STAY-GUIDE-FUS-SCRIP	1	1/P	
25	6LH23444000	BUSH-GCB-6-4-NU4	2	1/P	
26	6LJ58701000	GEAR-BELT-F	1	1/P	
28	6LJ58631000	BRKT-GEAR-BELT-H212	1	1/P	
29	6LE43405000	S/PAN/SWWP-M3X6-ZU3-B	3	10/P	



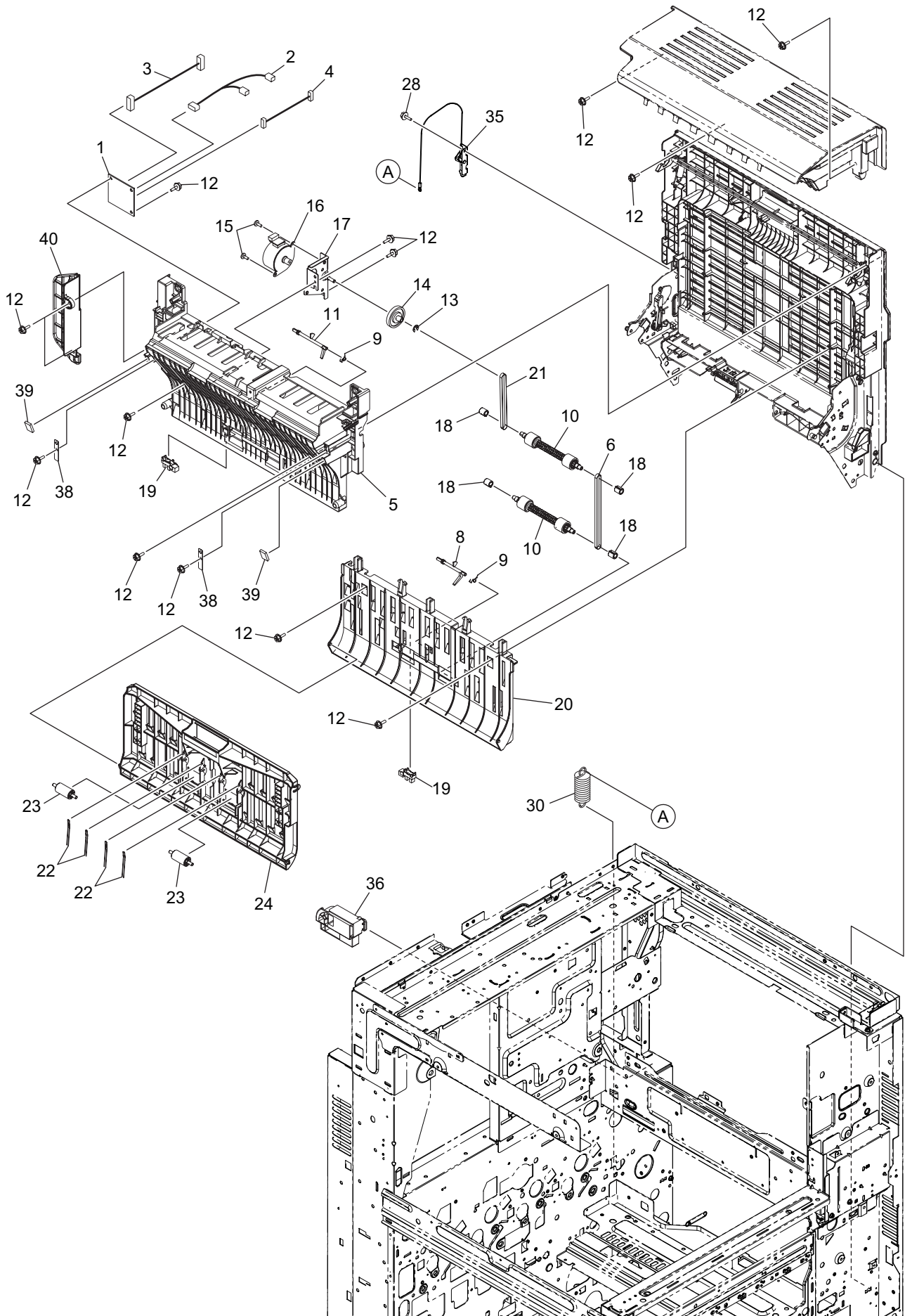
ITEM No.	PART No.	PART NAME	Q'TY / PAGE	Q'TY / PACK	REMARKS
1 A	6LJ70676000	BELT-HLDUNIT-H212	1	1/S	e-STUDIO2555C/3055C/3555C
1 B	6LJ70665000	BELT-HLDUNIT-H214	1	1/S	e-STUDIO4555C/5055C
13	6LJ70595000	BT-FC50-FU	1	1/S	
18	F0-01383000	6803ZZS1C4KZ	2	1/P	
19	6LJ58855000	GEAR-BL-R	1	1/P	
21	6LJ58691000	BUSH-BELT-F	1	1/P	
22	6LJ58692000	BUSH-BELT-R	1	1/P	
26 A	6LJ58718000	PAD-BELT-R20-H212	1	1/KP	e-STUDIO2555C/3055C/3555C
26 B	6LJ58890000	PAD-BELT-R60-H214	1	1/KP	e-STUDIO4555C/5055C
28	F0-01845000	ES-0510-46	1	1/P	
29	6LJ58143000	ASYS-BRKT-HLD-BLT-F	1	1/P	
30	6LJ58615000	ASYS-FRM-FUS-R	1	1/P	
31	F0-01976000	6802ZZNRS1C4KZ	2	1/P	
32	6LJ58627000	BUSH-PR-H212	2	1/P	
33	X0-00968000	RR/E-7-SS	6	10/P	
34 A	6LJ70596000	HR-FC50-L	1	1/S	e-STUDIO2555C/3055C/3555C
34 B	6LJ70668000	HR-FC50H-L	1	1/S	e-STUDIO4555C/5055C
35	6LJ58703000	GEAR-10H24-PR	1	1/P	
36	X0-00966000	RR/E-5-SS	4	10/P	
37 A	6LJ58870000	ASYB-PUSHER-R	1	1/P	e-STUDIO2555C/3055C/3555C
37 B	6LJ58870100	ASYB-PUSHER-RH	1	1/P	e-STUDIO4555C/5055C
38 A	6LJ58869000	ASYB-PUSHER-F	1	1/P	e-STUDIO2555C/3055C/3555C
38 B	6LJ58869100	ASYB-PUSHER-FH	1	1/P	e-STUDIO4555C/5055C
39	6LJ58730000	ACTR-PR-F-H212	1	1/P	
40	X0-02230000	S/FHEXM-M3X6-NI	4	10/P	
41	X0-01169000	P/PRL/AH7-3X14-SS	3	10/P	
42	6LJ58885000	ASYS-GEAR-10S32-CAM-8	1	1/P	
43	6LJ55544000	BUSH-8X12X5R5F-BCF-050	3	1/P	
44	6LJ58864000	CAM-FUS-HH	2	1/P	
45	X0-00430000	S/BID-M3X6-NI	11	10/P	
46	6LJ58877000	FRAME-FUS-LOW	1	1/P	
47	6LJ58810000	GEAR-10H21-IDL-FUS-DRV	1	1/P	
48	6LJ58809000	GEAR-SNSR-ROTATION	1	1/P	
49	F0-01844000	ES-0505-2-46	1	5/P	
50	6LJ58610000	ASYS-FRM-FUS-F	1	1/P	
51	6LJ58614000	BRKT-HLD-BLT	1	1/P	
52 A	6LJ58642000	SFT-CAM-FUS-H21Y	1	1/P	e-STUDIO2555C/3055C/3555C
52 B	6LJ58846000	ASYB-SFT-CAM-FUS-H21Y	1	1/P	e-STUDIO4555C/5055C
53	6LJ58818000	BRKT-FUS-LOW	1	1/P	
60	6LJ58822000	GEAR-10H21-IDL-FUS-PR	1	1/P	
61	6LJ58874000	SHEET-PAD-BELT	1	1/KP	



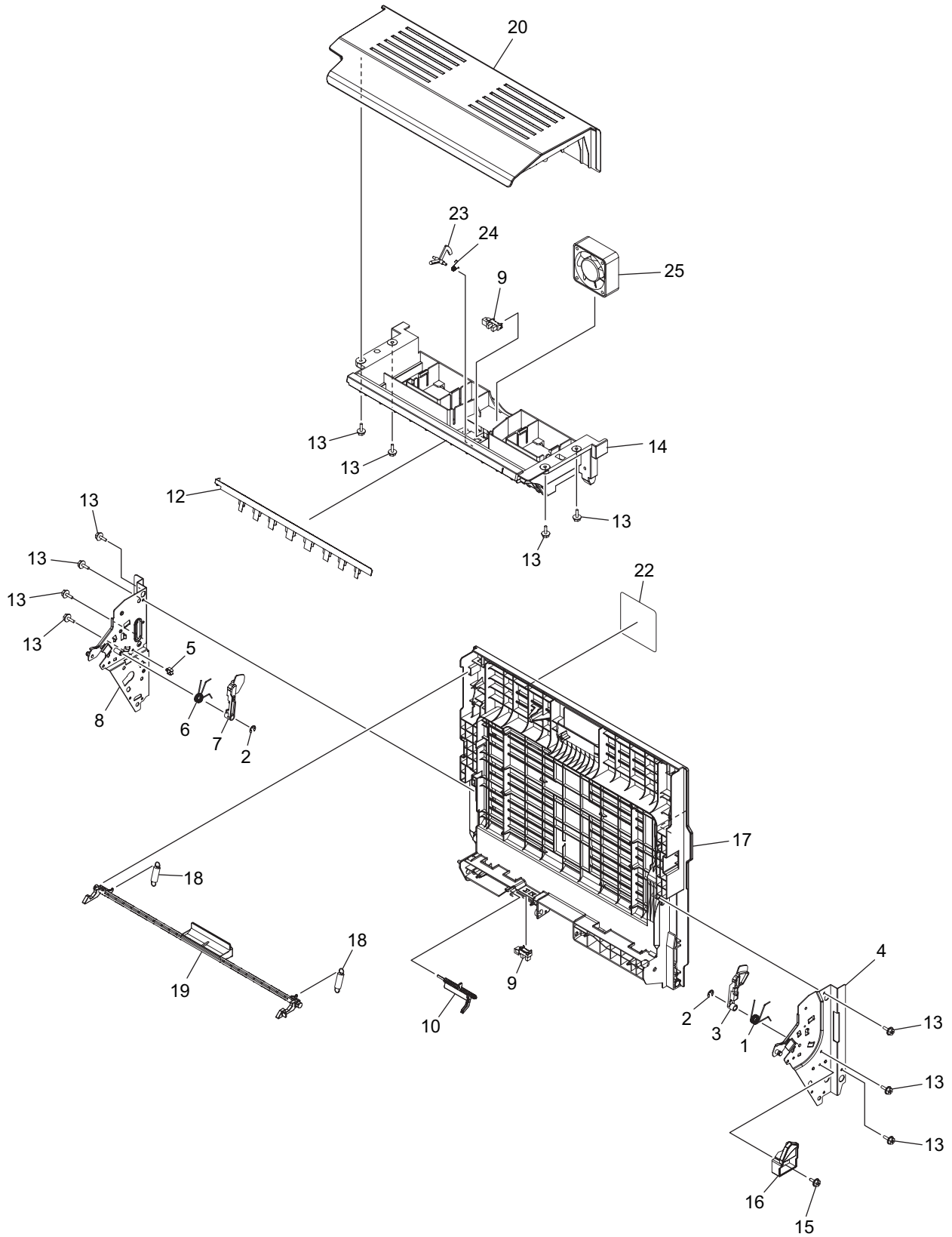
ITEM No.	PART No.	PART NAME	Q'TY / PAGE	Q'TY / PACK	REMARKS
1	6LJ58639000	STAY-GUIDE-RTN-H212	1	1/P	
2	6LH36359000	SCREW-M3-D4X2.3	4	10/P	
3	6LJ58640000	BRKT-PR-SCR-FUS-H212	2	1/P	
4	X0-00430000	S/BID-M3X6-NI	5	10/P	
5	6LJ58138000	SCRAPER-HR-H210-S	2	2/P	
6	6LJ58851000	GUIDE-EXIT-RTN-H21Y	1	1/PP	
7	6LJ58762000	SHEET-FUS-HANDLE-H21Y	2	5/P	
8	6LJ58641000	SPG-E-SCRIP-PR-H21Y	2	1/P	
9	X0-02419000	S/TPS/FHEXM/R-3X6-ZU3	1	10/P	
10	6LJ58783000	SHEET-FUS-OPEN-H21Y	2	5/P	
11	X0-02247000	S/TPP/FHEXM-3X8-NI	2	10/P	
12	C0-17839000	LG2A14BL1	1	1/C	
13	6LJ58602000	COVER-SNSR-H212	1	1/P	
14	6LJ58795000	SPG-T-ACT-FUS-H212	1	1/P	
15	6LJ58733000	ACTR-EXIT-FUS-H212	1	1/P	
16	6LJ58633000	GUIDE-PR-ADU-H21Y	1	1/P	
17	41307995000	LBL/W-FUSER	1	5/KP	
18	6LH55245000	PLT-SP-IDLE-47X	4	1/D	
19	41316101000	ROLL-TRANS-IDLE	2	1/P	
20	4406326040	SCREW-D4-18-M3	2	10/P	
21	6LJ58794000	SPG-T-GUIDE-EXIT-RTN-R-1	1	1/P	
22	6LJ58643000	FRAME-FUS-RGT-H212	1	1/P	
23	6LJ02533000	BRUSH-FUSER-H14X	1	1/C	
24	6LJ58603000	COV-WH-GUIDE-RTN-H212	1	1/P	



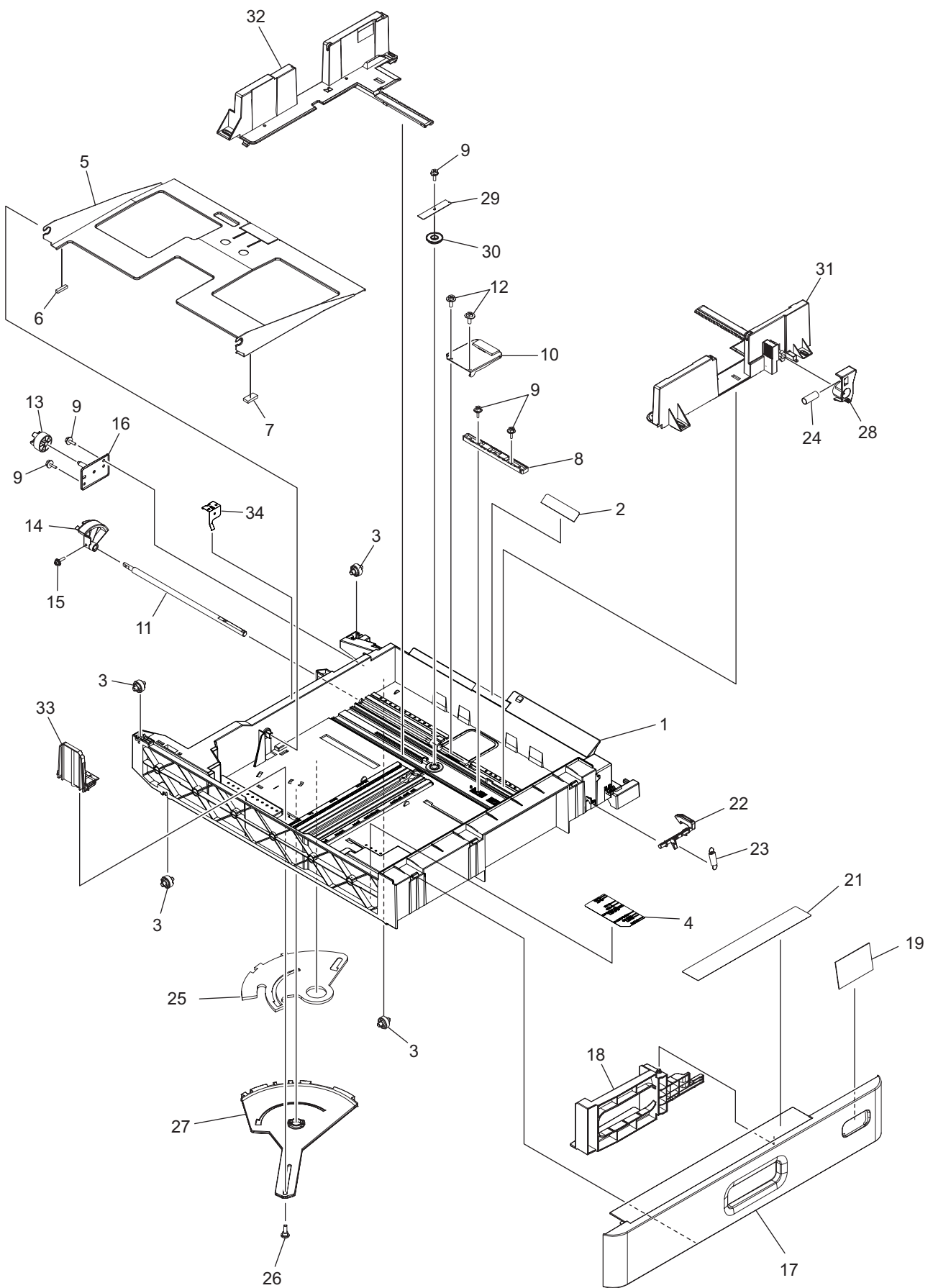
ITEM No.	PART No.	PART NAME	Q'TY / PAGE	Q'TY / PACK	REMARKS
1	6LA08937000	SCREW-BKT-DEV	4	10/P	
2	X0-00965000	RR/E-4-SS	4	10/P	
3	6LJ57614000	SPG-C-ROLL-EXIT-H21Y	4	1/P	
4	6LJ57801000	SHAFT-ROL-EXIT-L	4	1/P	
5	6LJ02514000	RLR-EXIT-L-EX	8	1/P	
6	6LJ55543000	BUSH-6-BCF-050	6	1/P	
7	6LJ57808000	SPG-F-GND-EXIT-H21X	1	1/P	
8	6LJ58740000	ASYS-GUIDE-EXIT-H21Y	1	1/PP	
9	6LJ58673000	GEAR-10S23-EXIT	1	1/P	
10	6LJ58672000	GEAR-10S28-10S34-6	1	1/P	
11	6LJ58725000	ASYB-ROLL-EXIT-LOW-H21Y	1	1/KP	
12	X0-02247000	S/TPP/FHEXM-3X8-NI	5	10/P	
13	6LJ57601000	ASYS-BRKT-DRV-EXIT-U-H21Y	1	1/P	
14	6LH54006000	GEAR-10S20-06	2	1/P	
15	6LJ57610000	SPG-F-ROL-REV-H21Y	4	1/P	
16	6LH54009000	GEAR-10S27-08	2	1/P	
17	44201801000	STOP-RING-6-1.5	2	5/P	
18	41316101000	ROLL-TRANS-IDLE	2	1/P	
19	6LJ57611000	SPG-F-GND-EXIT-UPR-H21Y	1	1/P	
20	6LJ57632000	GUIDE-EXIT-UPR-H21Y	1	1/PP	
21	6LJ57612000	SPG-E-ARM-GATE-H21Y	1	1/P	
23	6LJ57616000	COV-EXIT-UPR-H21Y	1	1/PP	
24	6LJ57609000	GEAR-10S20_PS2M60-6-H21Y	1	1/P	
25	6LJ57617000	BRUSH-EXIT-L-H21Y	1	1/KP	
26	6LJ57607000	GATE-ADU-H21Y	1	1/PP	
27	X0-02069000	S/TPS/BID-3X6-ZU3	2	10/P	
28	6LJ57623000	DAMP-GATE-H21Y	3	5/P	
29	6LJ61030000	HRNS-EXTMOT-212	1	1/P	
30	6LJ57626000	ASYS-SOL-07B-H21Y	1	1/C	
31	6LJ57604000	ASYB-ROLL-EXIT-U-H21Y	1	1/KP	
32	6LJ57606000	ROLL-TRANS-UPR-H21Y	1	1/KP	
33	6LJ57613000	SPG-E-GATE-EXIT-H21Y	1	1/P	
34	6LJ57816000	MOTR_S-EXIT-L-H21X	1	1/D	
35	6LJ57810000	BLT_SY-S2M-144-4	1	1/P	
36	X0-02420000	S/TPS/FHEXM/R-3X8-ZU3	2	10/P	



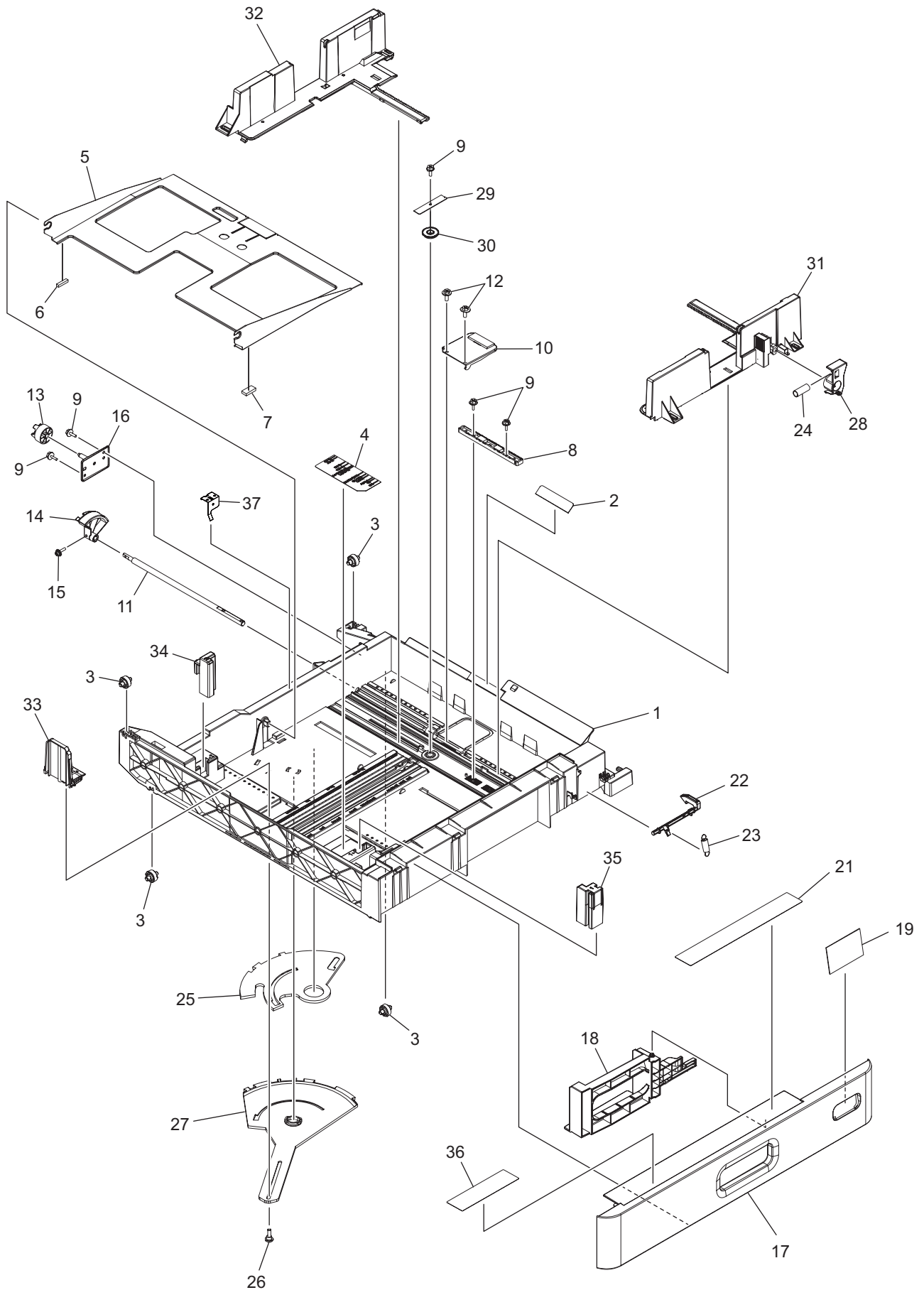
ITEM No.	PART No.	PART NAME	Q'TY / PAGE	Q'TY / PACK	REMARKS
1	6LJ60489000	PWA-H-ADU-210	1	1/SB	e-STUDIO2555C/3055C/3555C e-STUDIO4555C/5055C
2	6LJ61194000	HRNS-ADU-SNR-212	1	1/P	
3 A	6LJ60889000	HRNS-ADU-212	1	1/P	
3 B	6LJ61372000	HRNS-ADU-214	1	1/P	
4	6LJ60235000	HRNS-ADU-MOT-210	1	1/P	
5	6LJ57374000	GUIDE-ADU-U-H21Y	1	1/PP	
6	6LJ57314000	BLT.SY-S2M-264-4	1	1/P	
8	6LJ57322000	ACTR-ADU-L-H21X	1	1/P	
9	6LJ57327000	SPG-ACT-ADU-H21X	2	1/P	
10	6LJ57331100	ASYS-ROL-ADU-H21Y	2	1/KP	
11	6LJ57323000	ACTR-ADU-U-H21X	1	1/P	
12	X0-02247000	S/TPP/FHEXM-3X8-NI	14	10/P	
13	X0-00964000	RR/E-3-SS	1	10/P	
14	6LJ57321000	GEAR-08S40_S2M012-7	1	1/P	
15	X0-02069000	S/TPS/BID-3X6-ZU3	2	10/P	
16	6LJ57330000	ASYS-MOTR-S-ADU-H21X	1	1/D	
17	6LJ57377000	ASYS-BRKT-DRV-ADU-H21Y	1	1/P	
18	6LJ57387100	BUSH-ADU-POMSW	4	1/P	
19	C0-17839000	LG2A14BL1	2	1/C	
20	6LJ57316000	GUIDE-ADU-L-H21X	1	1/PP	
21	6LJ57313000	BLT.SY-S2M-200-4	1	1/P	
22	6LJ57315000	SPR-IDLE-ADU	4	1/P	
23	41316101000	ROLL-TRANS-IDLE	2	1/P	
24	6LJ57318000	GUIDE-OPEN-L	1	1/PP	
28	X0-02420000	S/TPS/FHEXM/R-3X8-ZU3	1	10/P	
30	6LJ57363000	SPG-ADU-WIRE	1	1/P	
35	6LJ57382000	ASYB-BRKT-HOLD-WIRE-H21Y	1	1/P	
36	6LJ57371000	HOLDER-WIRE-ADU-H21Y	1	1/P	
38	6LJ57379000	SPG-F-GUIDE-EXIT-H21Y	2	1/P	
39	6LJ57615000	DAMP-SOL-GATE-H21Y	2	1/P	
40	6LJ57380000	COVER-ADU-R-H21Y	1	1/PP	



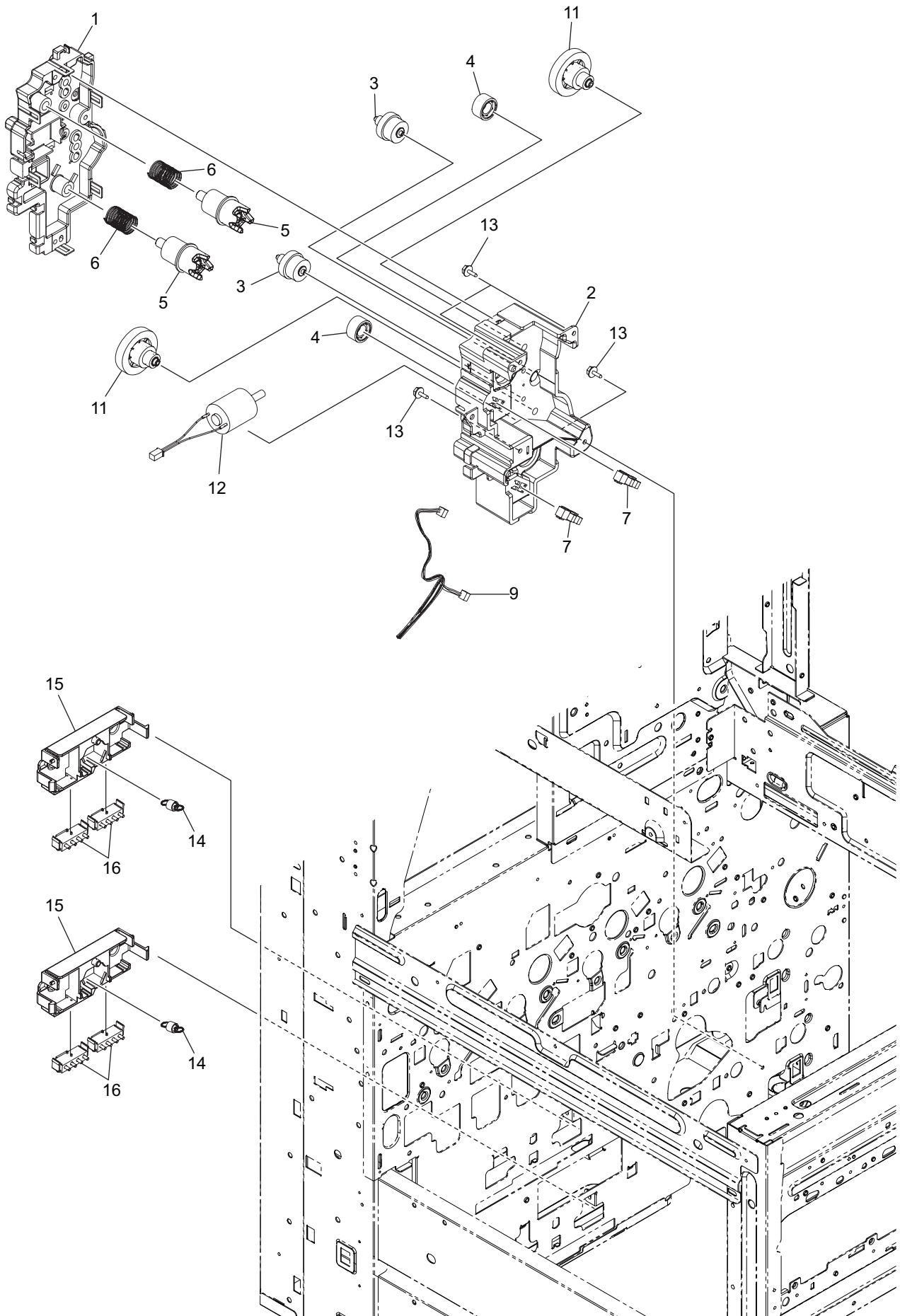
ITEM No.	PART No.	PART NAME	Q'TY / PAGE	Q'TY / PACK	REMARKS
1	6LJ55948000	SPG-T-TRU-RTN-F-2	1	1/P	
2	X0-00966000	RR/E-5-SS	2	10/P	
3	6LJ55928000	PUSHER-TRU-OPEN-F	1	1/P	
4	6LJ57309000	ASYS-FRM-ADU-F-H21X	1	N/A***	
5	F0-00044000	UAMS-05-2	1	5/P	
6	6LJ55949000	SPG-T-TRU-RTN-R-2	1	1/P	
7	6LJ55929000	PUSHER-TRU-OPEN-R	1	1/P	
8	6LJ57308000	ASYS-FRM-ADU-R-H21X	1	N/A***	
9	C0-17839000	LG2A14BL1	2	1/C	
10	6LJ57016000	ACTR-EMPTY-SFB-H21X	1	1/P	
12	6LJ57619000	ASYS-BRUSH-EXIT-UPR-H21Y	1	1/KP	
13	X0-02247000	S/TPP/FHEXM-3X8-NI	11	10/P	
14 A	6LJ57392000	GUIDE-ADU-UPR-H21Y	1	1/PP	e-STUDIO2555C/3055C/3555C
14 B	6LJ57389000	ASYS-GUIDE-ADU-UPR-H21YH	1	1/PP	e-STUDIO4555C/5055C
15	X0-02420000	S/TPS/FHEXM/R-3X8-ZU3	1	10/P	
16	6LJ55901000	LOCK-CAM-TRU-F	1	1/P	
17 A	6LJ57381000	COVER-ADU-H21X-L	1	1/PP	e-STUDIO2555C/3055C/3555C
17 B	6LJ57390000	ASYS-COVER-ADU-H21YH	1	1/PP	e-STUDIO4555C/5055C
18	6LH51228000	SPG-C-COV-SIDE	2	1/P	
19	6LJ57393000	LEVER-ADU-H21X	1	1/PP	
20	6LJ57376000	COVER-ADU-TOP-H21Y	1	1/PP	
23	6LH54010000	ACTR-EXIT-UPR-473	1	1/P	
24	6LJ12930000	SPG-T-ACT-EXIT-UPR-16X	1	1/P	
25	6LJ01024000	ASYS-DUCT-FAN-60-H140	1	1/D	



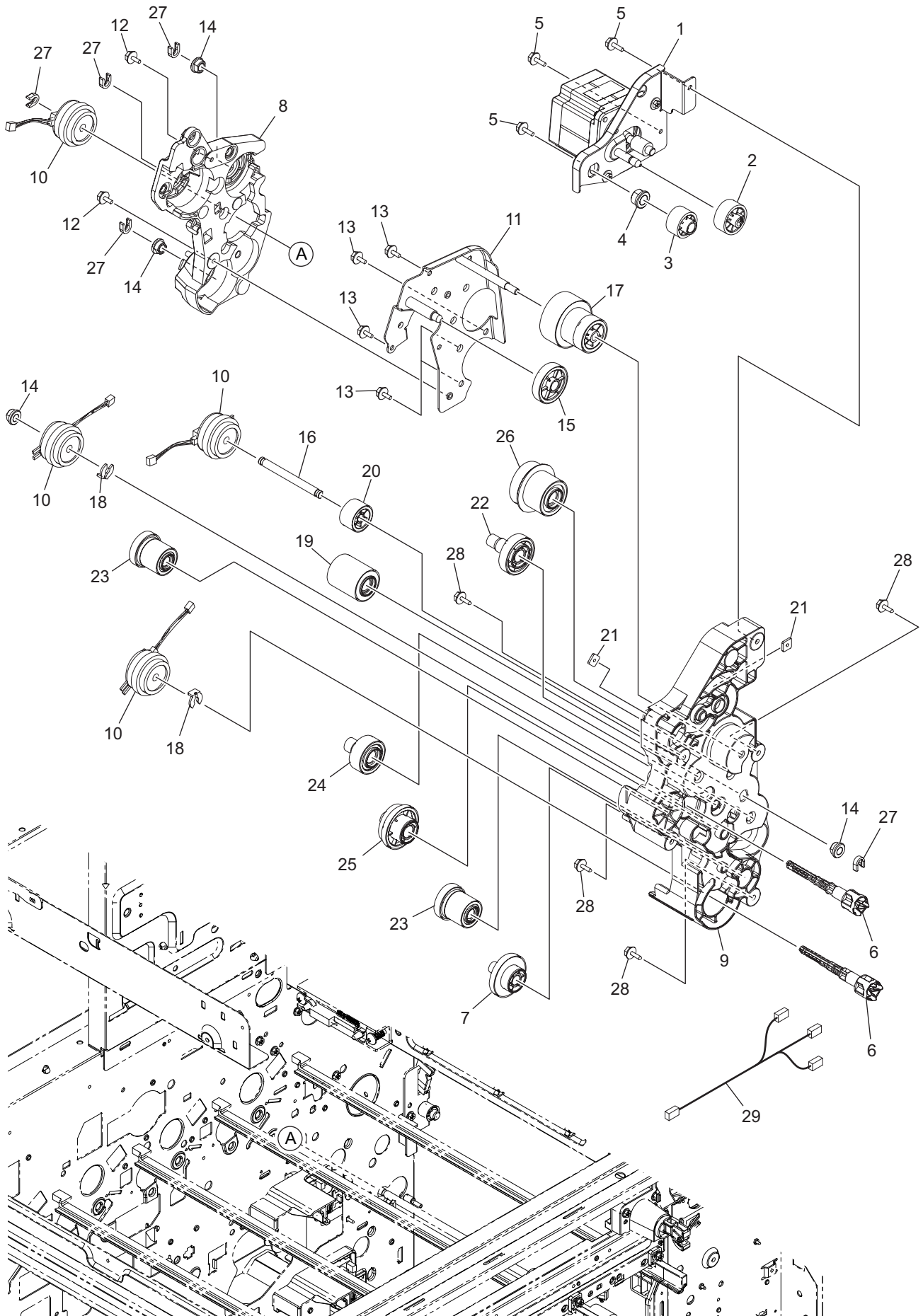
ITEM No.	PART No.	PART NAME	Q'TY / PAGE	Q'TY / PACK	REMARKS
1	6LJ56937000	CST-H21X-U-A3	1	1/PP	
2	6LJ66823000	SHEET-CST-H21X	1	1/P	
3	6LJ56845000	ROLL-CST-H21X	4	1/P	
4	6LJ56857000	LBL-PAPER-SIZE-LDA3-H21X	1	1/P	
5	6LJ56873000	ASYS-TRAY-CST-H-H21X	1	1/PP	
6	6LH51643000	CHSH-CST-F47X	1	1/P	
7	6LH05741000	CUSH-CST-S	1	1/P	
8	6LJ56815000	WALL-STOP-H21X	1	1/P	
9	X0-02247000	S/TPP/FHEXM-3X8-NI	5	10/P	
10	6LH05746000	ASYS-LEVER-ELV-CST-F43X	1	1/P	
11	6LJ56910000	SHAFT-ELV-CST-H21X	1	1/P	
12	X0-02235000	S/FHEXM-M4X8-NI	2	10/P	
13	6LJ56847000	CPG-TRAY-UP-H21X	1	1/P	
14	6LJ56832000	GEAR-DRV-TRAYUP-SFT-H21X	1	1/P	
15	X0-00094000	S/PAN/SWWP-M3X10-NI	1	10/P	
16	6LJ56851000	ASYS-PLATE-DRV-CST-H21X	1	1/P	
17	6LJ56926000	COVER-CST-H-H21X	1	1/PP	
18	6LJ56838000	HNDL-CST-H21X	1	1/P	
19 A	6LH31900000	SIZE-CST-450-A4	1	1/KP	MJD,AUD,ASD,CND,ARD
19 B	6LH31900100	SIZE-CST-450-LT	1	1/KP	NAD
21	6LJ56881000	LBL_O-GUIDE-CST-MY1040	1	1/KP	
22	6LJ56924000	LVR-CST1-H-H21X_E_SHAFT	1	1/P	
23	6LJ56839000	SPG-E-8R9XR9X29R5	1	1/P	
24	6LA56695000	SPC-LVR-WALL-F	1	1/P	
25	6LH05721000	PUSHER-SIDE-CST-F43X	1	1/P	
26	6LH05511000	SCREW-M3X8-3.2-P	1	5/P	
27	6LJ56817000	PUSHER-END-CST-H21X	1	1/PP	
28	6LJ56802000	LEVER-LOCK-WALL-H21X	1	1/P	
29	6LJ46917000	PLT-WALL-GEAR-G	1	1/P	
30	6LE53717000	GEAR-10S18-8-TRAY	1	1/P	
31	6LJ56841000	SLIDE-WALL-F-H21X-H	1	1/KP	
32	6LJ56872000	ASYS-SLIDE-WALL-R-H21X-H	1	1/P	
33	6LJ56827000	WALL-END-CST-H-H21X	1	1/P	
34	6LJ56943000	SPG-F-TRAY-CST-H21Y	1	1/P	



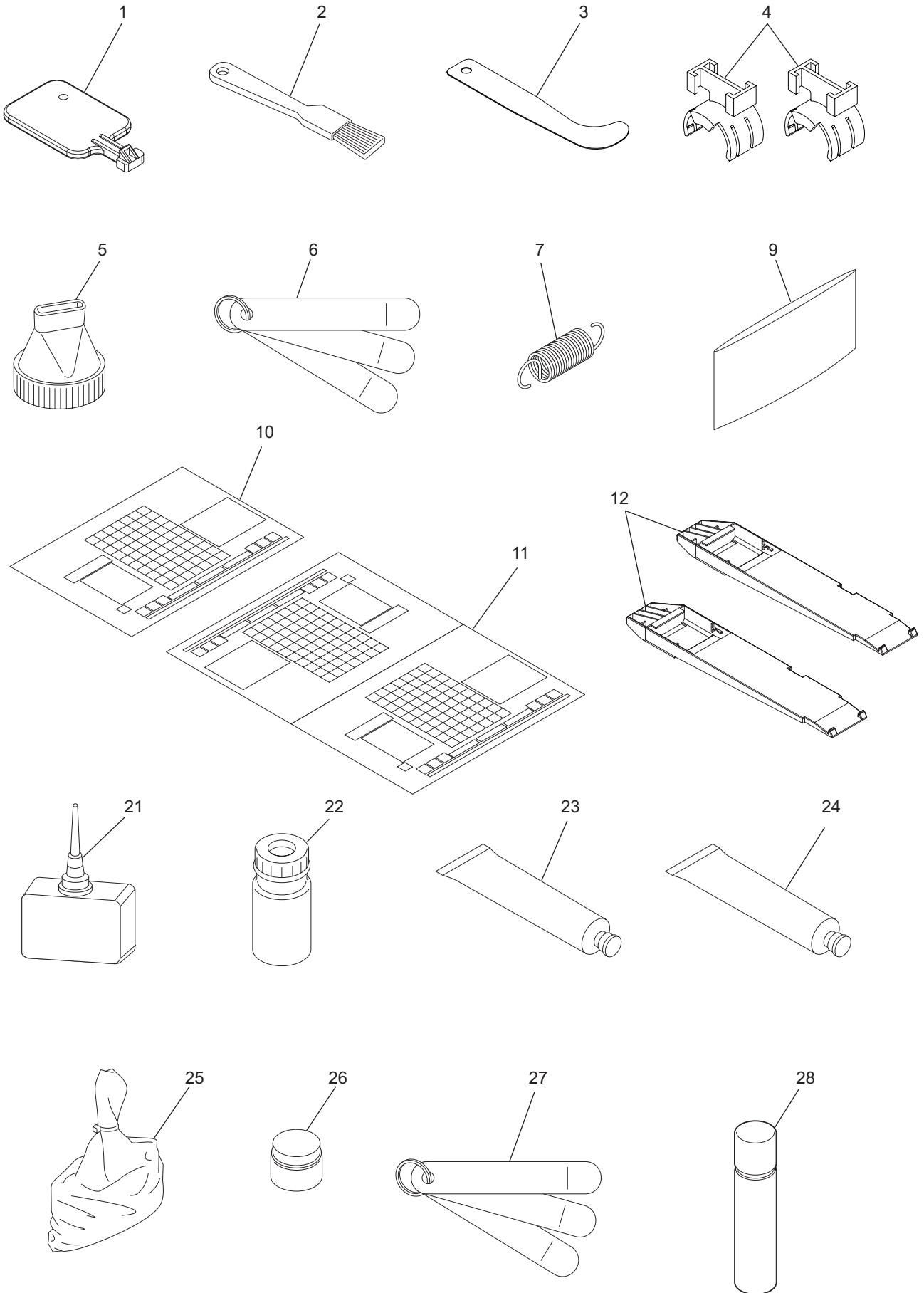
ITEM No.	PART No.	PART NAME	Q'TY / PAGE	Q'TY / PACK	REMARKS
1	6LJ56938000	CST-H21X-SR	1	1/PP	
2	6LJ66823000	SHEET-CST-H21X	1	1/P	
3	6LJ56845000	ROLL-CST-H21X	4	1/P	
4	6LJ56876000	LBL-PAPER-SIZE-SRA3-H21X	1	1/P	
5	6LJ56873000	ASYS-TRAY-CST-H-H21X	1	1/PP	
6	6LH51643000	CHSH-CST-F47X	1	1/P	
7	6LH05741000	CUSH-CST-S	1	1/P	
8	6LJ56815000	WALL-STOP-H21X	1	1/P	
9	X0-02247000	S/TPP/FHEXM-3X8-NI	5	10/P	
10	6LH05746000	ASYS-LEVER-ELV-CST-F43X	1	1/P	
11	6LJ56910000	SHAFT-ELV-CST-H21X	1	1/P	
12	X0-02235000	S/FHEXM-M4X8-NI	2	10/P	
13	6LJ56847000	CPG-TRAY-UP-H21X	1	1/P	
14	6LJ56832000	GEAR-DRV-TRAYUP-SFT-H21X	1	1/P	
15	X0-00094000	S/PAN/SWWP-M3X10-NI	1	10/P	
16	6LJ56851000	ASYS-PLATE-DRV-CST-H21X	1	1/P	
17	6LJ56926000	COVER-CST-H-H21X	1	1/PP	
18	6LJ56838000	HNDL-CST-H21X	1	1/P	
19 A	6LH31900000	SIZE-CST-450-A4	1	1/KP	MJD,AUD,ASD,CND,ARD
19 B	6LH31900100	SIZE-CST-450-LT	1	1/KP	NAD
21	6LJ56881000	LBL_O-GUIDE-CST-MY1040	1	1/KP	
22	6LJ56925000	LVR-CST2-H-H21X_E_SHAFT	1	1/P	
23	6LJ56839000	SPG-E-8R9XR9X29R5	1	1/P	
24	6LA56695000	SPC-LVR-WALL-F	1	1/P	
25	6LH05721000	PUSHER-SIDE-CST-F43X	1	1/P	
26	6LH05511000	SCREW-M3X8-3.2-P	1	5/P	
27	6LJ08007000	PUSHER-END-CST-F43X	1	1/P	
28	6LJ56802000	LEVER-LOCK-WALL-H21X	1	1/P	
29	6LJ46917000	PLT-WALL-GEAR-G	1	1/P	
30	6LE53717000	GEAR-10S18-8-TRAY	1	1/P	
31	6LJ56841000	SLIDE-WALL-F-H21X-H	1	1/KP	
32	6LJ56872000	ASYS-SLIDE-WALL-R-H21X-H	1	1/P	
33	6LJ56827000	WALL-END-CST-H-H21X	1	1/P	
34	6LJ56834000	WALL-LONGPAPER-R-H-H21X	1	1/P	
35	6LJ56833000	WALL-LONGPAPER-F-H-H21X	1	1/P	
36	6LJ56883000	LBL_O-GUIDE-SRA3	1	1/P	
37	6LJ56943000	SPG-F-TRAY-CST-H21Y	1	1/P	



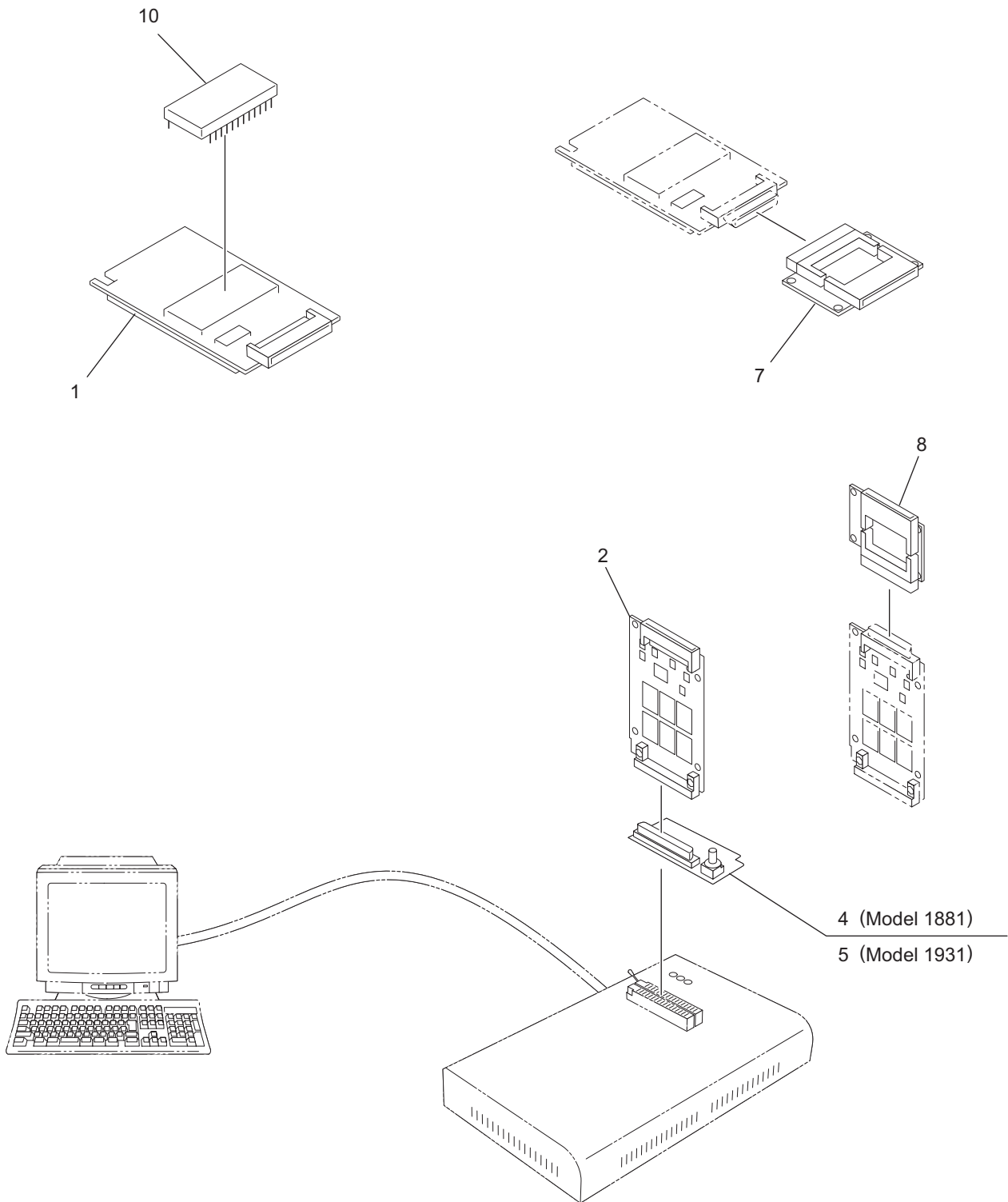
ITEM No.	PART No.	PART NAME	Q'TY / PAGE	Q'TY / PACK	REMARKS
1	6LJ56918000	CASE-TRAYUP-GEAR-R-H21Y	1	1/C	
2	6LJ56917000	CASE-TRAYUP-GEAR-F-H21Y	1	1/C	
3	44201854000	G05H-45-G05S-15	2	1/P	
4	6LH05707000	GEAR-8S25-10	2	1/P	
5	6LJ56846000	GEAR-8S26-H21X	2	1/P	
6	4401966050	SPC172-100-3400	2	1/P	
7	C0-17839000	LG2A14BL1	2	1/C	
9	6LJ61010000	HRNS-DRV-NEMPSN-212	1	1/P	
11	44201853000	G06S-13-G05S-80	2	1/P	
12	6LJ56929000	MOTR.D-TRAY-CST-S	1	1/D	
13	X0-02420000	S/TPS/FHEXM/R-3X8-ZU3	4	10/P	
14	6LJ56887000	SPG-E-8R8XR9X19R9	2	1/P	
15	6LJ56818000	HOLDER-SNSR-CST-H21X	2	1/P	
16	E0-14485000	PS-42C02-F NS	4	1/C	



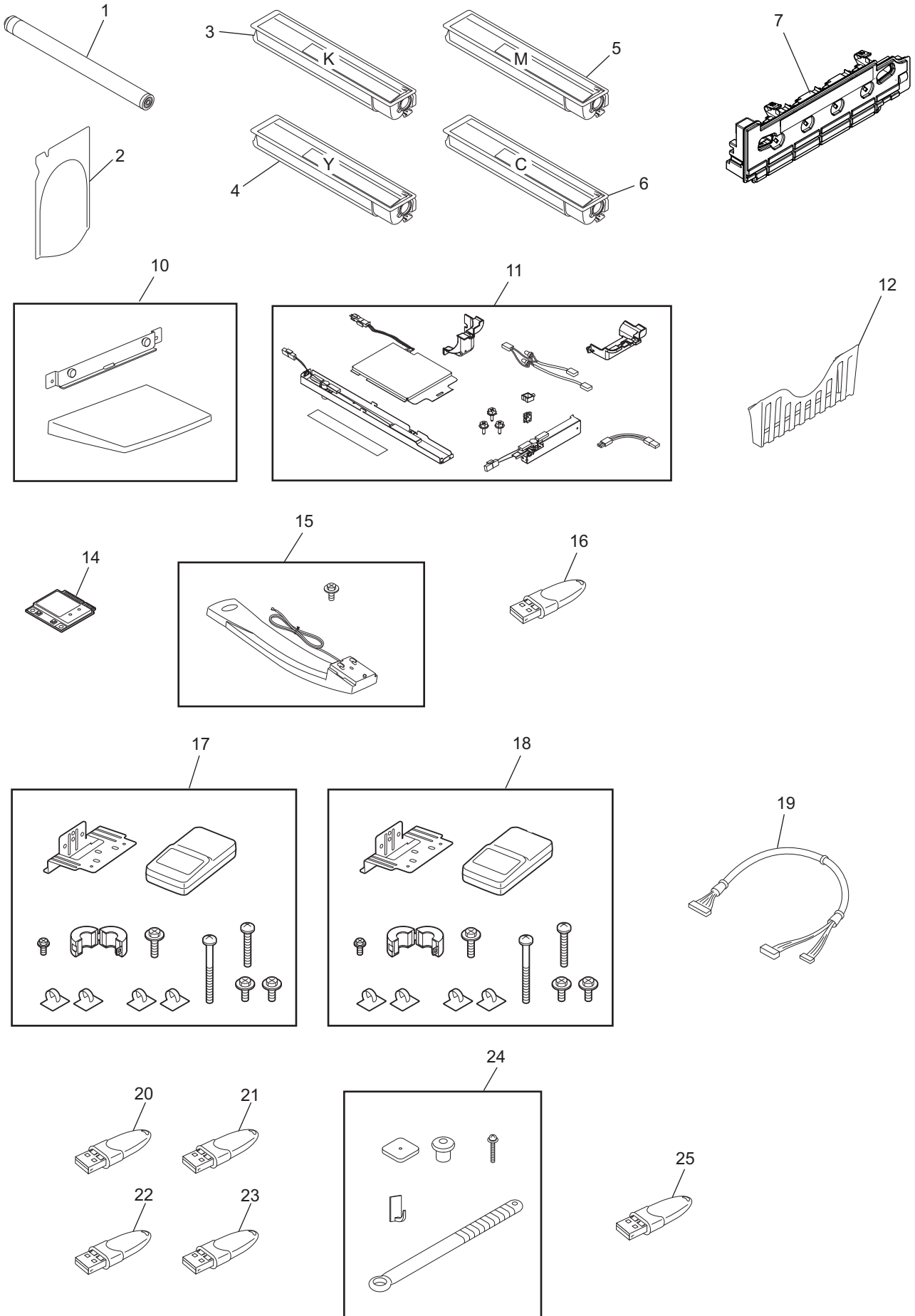
ITEM No.	PART No.	PART NAME	Q'TY / PAGE	Q'TY / PACK	REMARKS
1	6LJ56346000	ASYS-DRV-RGST-H21Y	1	1/C	
2	6LJ56314000	GEAR-8S31-6	1	1/P	
3	6LJ56315000	GEAR-8S27-8	1	1/P	
4	4400802080	BUSH-8	1	5/P	
5	X0-02231000	S/FHEXM-M3X8-NI	3	10/P	
6	6LJ56332000	COUPL-CST-H21Y	2	1/P	
7	6LJ56328000	GEAR-8H39	1	1/P	
8	6LJ56333000	HLDR-CL-FED-H21Y	1	1/P	
9	6LJ56317000	CASE-DRV-FEED-H21Y	1	1/PP	
10	6LH53742000	CLUTCH-50R-G28-6	4	1/D	
11	6LJ56318000	ASYS-FRM-DRV-FED-H21Y	1	1/P	
12	X0-02230000	S/FHEXM-M3X6-NI	2	10/P	
13	X0-02246000	S/TPP/FHEXM-3X6-NI	5	10/P	
14	44201492000	BUSH-6-POM	4	5/P	
15	6LJ56326000	GEAR-8H35-8	1	1/P	
16	6LJ56334000	SHAFT-DRV-CL-FED-H21Y	1	1/P	
17	6LJ56322000	GEAR-10S26_8H45-6	1	1/P	
18	44201801000	STOP-RING-6-1.5	2	5/P	
19	6LJ56316000	GEAR-8H29	1	1/P	
20	6LJ56330000	GEAR-8S26-6	1	1/P	
21	6LH55260000	PLT-NUT	2	5/P	
22	6LJ56329000	GEAR-8S37	1	1/P	
23	6LJ56325000	GEAR-10S26_8H25	2	1/P	
24	6LJ56327000	GEAR-8H31	1	1/P	
25	6LJ56324000	GEAR-10S29_8H40	1	1/P	
26	6LJ56323000	GEAR-10S33_8H33	1	1/P	
27	4407972860	STOP-RING-6-5	5	5/P	
28	X0-02420000	S/TPS/FHEXM/R-3X8-ZU3	4	10/P	
29	6LJ60974000	HRNS-DRV-CLT-212	1	1/P	



ITEM No.	PART No.	PART NAME	Q'TY / PAGE	Q'TY / PACK	REMARKS
1	6LJ71600000	JIG-SW-FCOV-H21X	1	1/P	
2	4407915710	BRUSH-33	1	1/P	
3	6LH02876000	JIG-CLNR-DOCTOR	1	1/P	
4	6LJ59768000	HOLDER-WIRE-PLY-H21X	1	1/P	
5	4407914000	NOZZLE-BOTTLE	1	1/P	
6	6LA48402000	ASY-JIG-DOC-350	1	1/P	
7	44202661000	SPE-MOT-TNS	1	1/P	
9	4408600920	BAG-DRUM	1	5/P	
10	6LE50524000	CHART-COLOR-A4	1	1/KP	
11	6LH17283000	CHART-COLOR-A3	1	1/KP	
12	6LJ54689000	JIG-GUIDE-HRNS-COVER	2	2/P	
21	4842512170	OIL-LAUNA40-100	1	1/P	
22	6LA00019000	GREASE-HP300-S	1	1/P	
23	41303711000	ASM-PG-ALV2	1	1/P	
24	6LE36904000	MOLYKOTE EM-30L_100G	1	1/P	
25	4407015430	P-POWDER-PPT001	1	1/P	
26	41303710000	ASM-PG-GE334C-S	1	1/P	
27	6LJ58791000	ASYB-JIG-GAP-SCRP	1	1/P	
28	4408327820	K-BTL-SILICON-S	1	1/P	

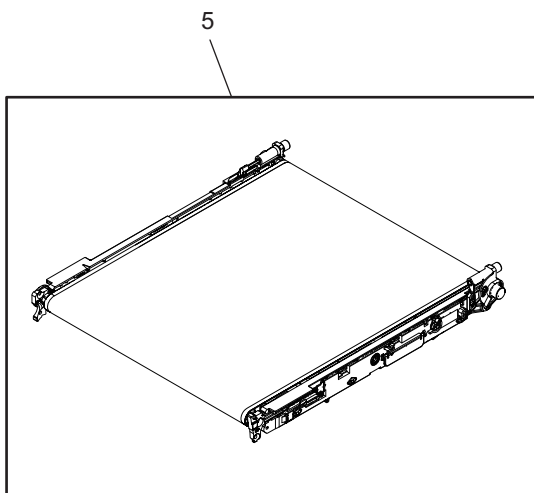
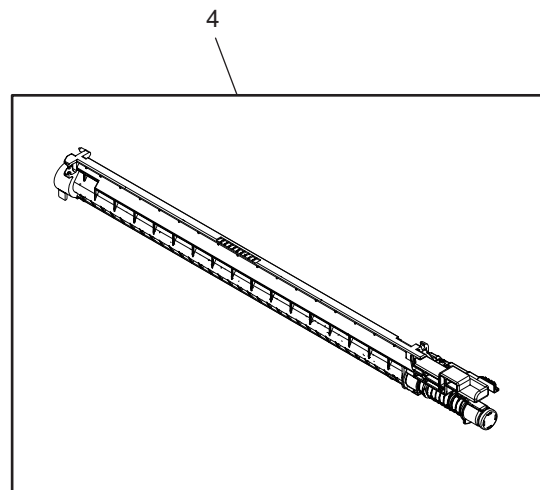
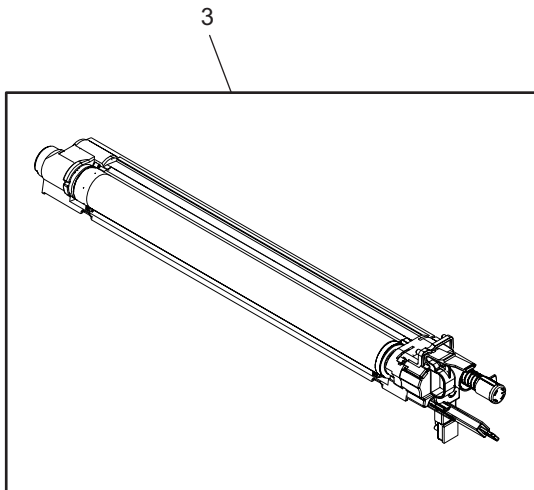
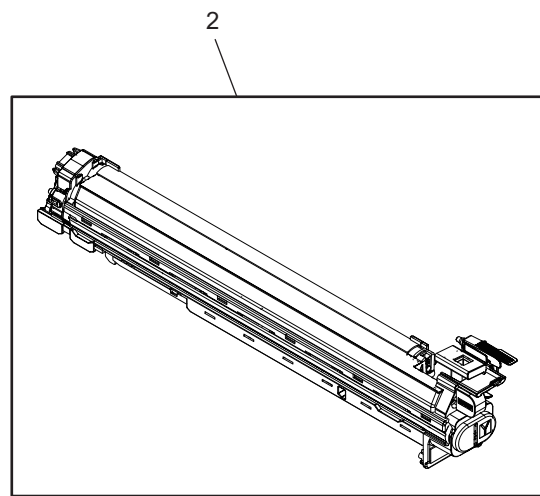
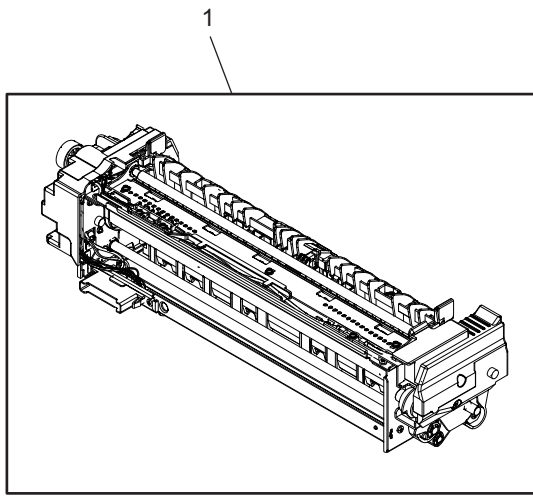


ITEM No.	PART No.	PART NAME	Q'TY / PAGE	Q'TY / PACK	REMARKS
1	6LH70381000	K-PWA-DLM-320F	1	1/C	
2	6LH09938000	PWA-DWNLD-JIG2F	1	1/C	
4	6LA41996000	PWA-DL-ADP-350-1881	1	1/S	
5	6LA41997000	PWA-DL-ADP-350-1931	1	1/C	
7	6LH09942000	PWA-DWNLD-RELAY-34F	1	1/C	
8	6LH09940000	PWA-DWNLD-RELAY-50F	1	1/C	
10	C0-04530000	M27C4001-10F1	1	1/S	

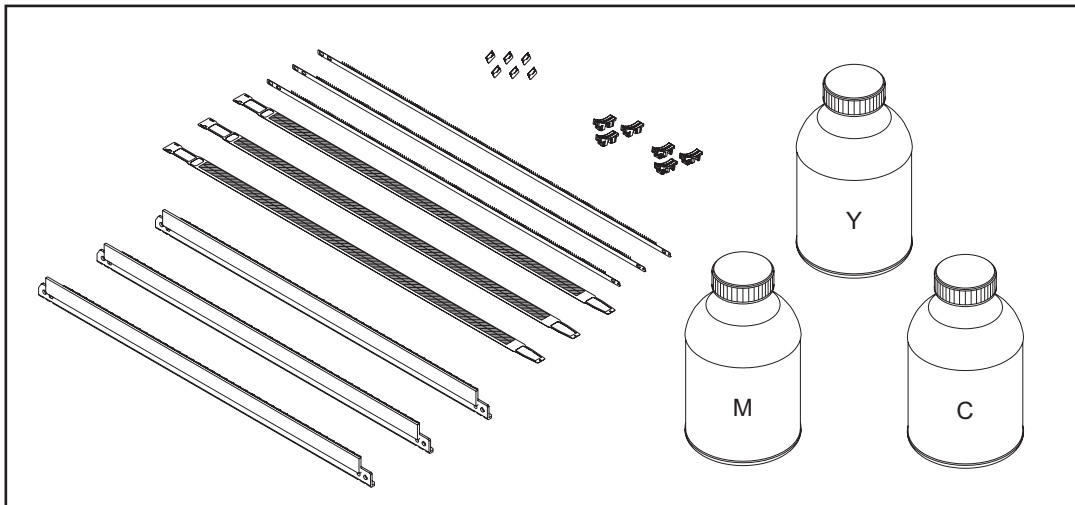


ITEM No.	PART No.	PART NAME	Q'TY / PAGE	Q'TY / PACK	REMARKS
1	6LJ70598000	OD-FC50	1	1/S	DRUM
2 A	6LJ70994300	D-FC30-K	1	1/S	DEVELOPER (K)
2 B	6LJ70994000	D-FC30-Y	1	1/S	DEVELOPER (Y)
2 C	6LJ70994100	D-FC30-M	1	1/S	DEVELOPER (M)
2 D	6LJ70994200	D-FC30-C	1	1/S	DEVELOPER (C)
3 A	6AK00000242	PS-ZTFC50UK(1)	1	SUPPLY	TONER (K) for NAD/TCL/STI
3 B	6AK00000246	PS-ZTFC50AK(1)	1	SUPPLY	TONER (K) for ARD
3 C	6AJ00000114	PS-ZTFC50EK(1)	1	SUPPLY	TONER (K) for MJD
3 D	6AG00005324	PS-ZTFC50DK(1)	1	SUPPLY	TONER (K) for AUD
3 E	6AG00005328	PS-ZTFC50CK(1)	1	SUPPLY	TONER (K) for CND
3 F	6AG00005332	PS-ZTFC50CKS(1)	1	SUPPLY	TONER (K) for CND
3 G	6AG00005344	PS-ZTFC50PK(1)	1	SUPPLY	TONER (K) for TSP
3 H	6AG00005348	PS-ZTFC50PKS(1)	1	SUPPLY	TONER (K) for TSP
3 I	6AG00005352	PS-ZTFC50TK(1)	1	SUPPLY	TONER (K) for TWD
4 A	6AK00000243	PS-ZTFC50UY(1)	1	SUPPLY	TONER (Y) for NAD/TCL/STI
4 B	6AK00000247	PS-ZTFC50AY(1)	1	SUPPLY	TONER (Y) for ARD
4 C	6AJ00000111	PS-ZTFC50EY(1)	1	SUPPLY	TONER (Y) for MJD
4 D	6AG00005325	PS-ZTFC50DY(1)	1	SUPPLY	TONER (Y) for AUD
4 E	6AG00005329	PS-ZTFC50CY(1)	1	SUPPLY	TONER (Y) for CND
4 F	6AG00005333	PS-ZTFC50CYS(1)	1	SUPPLY	TONER (Y) for CND
4 G	6AG00005345	PS-ZTFC50PY(1)	1	SUPPLY	TONER (Y) for TSP
4 H	6AG00005349	PS-ZTFC50PYS(1)	1	SUPPLY	TONER (Y) for TSP
4 I	6AG00005353	PS-ZTFC50TY(1)	1	SUPPLY	TONER (Y) for TWD
5 A	6AK00000244	PS-ZTFC50UM(1)	1	SUPPLY	TONER (M) for NAD/TCL/STI
5 B	6AK00000248	PS-ZTFC50AM(1)	1	SUPPLY	TONER (M) for ARD
5 C	6AJ00000112	PS-ZTFC50EM(1)	1	SUPPLY	TONER (M) for MJD
5 D	6AG00005326	PS-ZTFC50DM(1)	1	SUPPLY	TONER (M) for AUD
5 E	6AG00005330	PS-ZTFC50CM(1)	1	SUPPLY	TONER (M) for CND
5 F	6AG00005334	PS-ZTFC50CMS(1)	1	SUPPLY	TONER (M) for CND
5 G	6AG00005346	PS-ZTFC50PM(1)	1	SUPPLY	TONER (M) for TSP
5 H	6AG00005350	PS-ZTFC50PMS(1)	1	SUPPLY	TONER (M) for TSP
5 I	6AG00005354	PS-ZTFC50TM(1)	1	SUPPLY	TONER (M) for TWD
6 A	6AK00000245	PS-ZTFC50UC(1)	1	SUPPLY	TONER (C) for NAD/TCL/STI
6 B	6AK00000249	PS-ZTFC50AC(1)	1	SUPPLY	TONER (C) for ARD
6 C	6AJ00000113	PS-ZTFC50EC(1)	1	SUPPLY	TONER (C) for MJD
6 D	6AG00005327	PS-ZTFC50DC(1)	1	SUPPLY	TONER (C) for AUD
6 E	6AG00005331	PS-ZTFC50CC(1)	1	SUPPLY	TONER (C) for CND
6 F	6AG00005335	PS-ZTFC50CCS(1)	1	SUPPLY	TONER (C) for CND
6 G	6AG00005347	PS-ZTFC50PC(1)	1	SUPPLY	TONER (C) for TSP
6 H	6AG00005351	PS-ZTFC50PCS(1)	1	SUPPLY	TONER (C) for TSP
6 I	6AG00005355	PS-ZTFC50TC(1)	1	SUPPLY	TONER (C) for TWD
7 A	6AG00005100	PS-TBFC50	1	SUPPLY	for NAD, TCL, AUD, ASD, ARD, Latin(NAD)
7 B	6AG00005101	PS-TBFC50E	1	SUPPLY	for MJD
7 C	6AG00005102	PS-TBFC50C	1	SUPPLY	for CND
10 A	6AR00000755	KK-4550	1	SUPPLY	Work Tray :All except CND
10 B	6AR00000756	KK-4550C	1	SUPPLY	CND
11 A	6AG00005411	MF-2050CUA	1	SUPPLY	NAD/TCL
11 B	6AG00005410	MF-2050CEA	1	SUPPLY	MJD
12 A	6AG00001893	KK-1660	1	SUPPLY	All w/o AUD/CND
12 B	6AG00001894	KK-1660-C	1	SUPPLY	CND
14 A	6A000001221	GN-1060	1	SUPPLY	Wireless LAN Module :All w/o CND
14 B	6A000001223	GN-1060C	1	SUPPLY	Wireless LAN Module :CND
15 A	6A000000459	GN-3010	1	SUPPLY	Antenna :All w/o CND
15 B	6AR00000579	GN-3010C	1	SUPPLY	Antenna :CND
16	6A000001051	GP-1070	1	SUPPLY	Data Overwrite enabler
17	6A000000878	KP-2004	1	SUPPLY	e-BRIDGE ID Gate
18 A	6A000000925	KP-2005	1	SUPPLY	All w/o CND
18 B	6A000001016	KP-2005C	1	SUPPLY	CND
19	6A000001357	GQ-1260	1	SUPPLY	Harness kit for coin controller (New)
20	6A000001055	GS-1010	1	SUPPLY	Meta scan enabler
21	6A000001057	GS-1020	1	SUPPLY	External interface enabler
22	6A000001053	GP-1080	1	SUPPLY	IPSec enabler
23	6A000001309	GS-1007	1	SUPPLY	Unicode Font Enabler

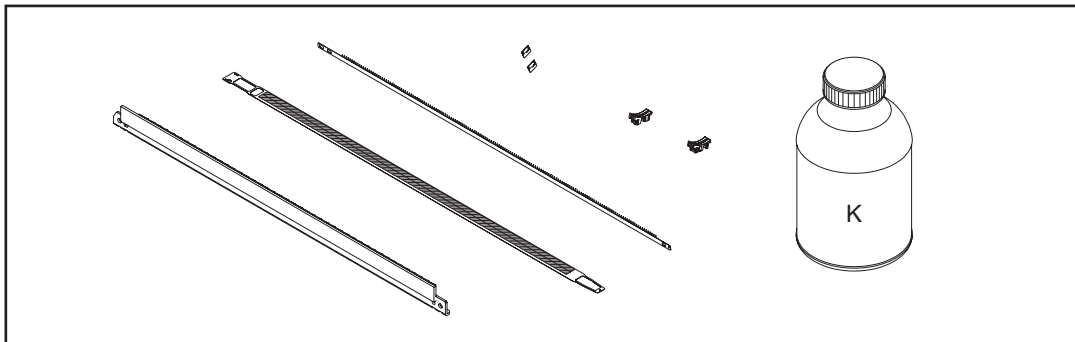
ITEM No.	PART No.	PART NAME	Q'TY / PAGE	Q'TY / PACK	REMARKS
24 25	6A000001164 6A000001353	KK-2550 GP-1191	1 1	SUPPLY SUPPLY	Accessible Arm Hardcopy Security Printing (New)



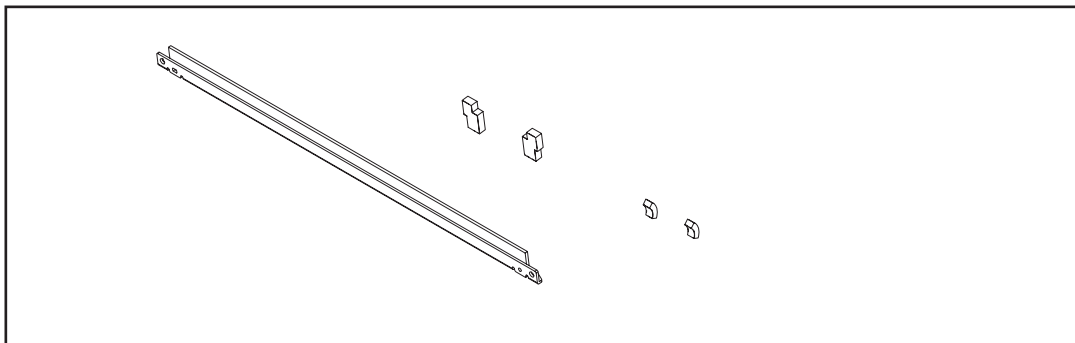
ITEM No.	PART No.	PART NAME	Q'TY / PAGE	Q'TY / PACK	REMARKS
1 A	6LJ70666000	FUSER-H214	1	1/S	e-STUDIO4555C/5055C
1 B	6LJ70675000	FUSER-H212	1	1/S	e-STUDIO2555C/3055C/3555C
2 A	6LJ70557400	DEV-UNIT-H210-H2K	1	1/S	e-STUDIO4555C/5055C (Black)
2 B	6LJ70557500	DEV-UNIT-H210-H2C	1	1/S	e-STUDIO4555C/5055C (Cyan)
2 C	6LJ70557600	DEV-UNIT-H210-H2M	1	1/S	e-STUDIO4555C/5055C (Magenta)
2 D	6LJ70557700	DEV-UNIT-H210-H2Y	1	1/S	e-STUDIO4555C/5055C (Yellow)
2 E	6LJ70557800	DEV-UNIT-H210-H1K	1	1/S	e-STUDIO2555C/3055C/3555C (Black)
2 F	6LJ70557900	DEV-UNIT-H210-H1C	1	1/S	e-STUDIO2555C/3055C/3555C (Cyan)
2 G	6LJ70557A00	DEV-UNIT-H210-H1M	1	1/S	e-STUDIO2555C/3055C/3555C (Magenta)
2 H	6LJ70557B00	DEV-UNIT-H210-H1Y	1	1/S	e-STUDIO2555C/3055C/3555C (Yellow)
3 A	6LJ70639000	CLNR-DRUM-H210-HK	1	1/S	Black
3 B	6LJ70639100	CLNR-DRUM-H210-HC	1	1/S	Cyan
3 C	6LJ70639200	CLNR-DRUM-H210-HM	1	1/S	Magenta
3 D	6LJ70639300	CLNR-DRUM-H210-HY	1	1/S	Yellow
4	6LJ70377000	TR-BLT_CLN-H210	1	1/S	
5	6LJ70578000	TR-BLT-FC50	1	1/S	



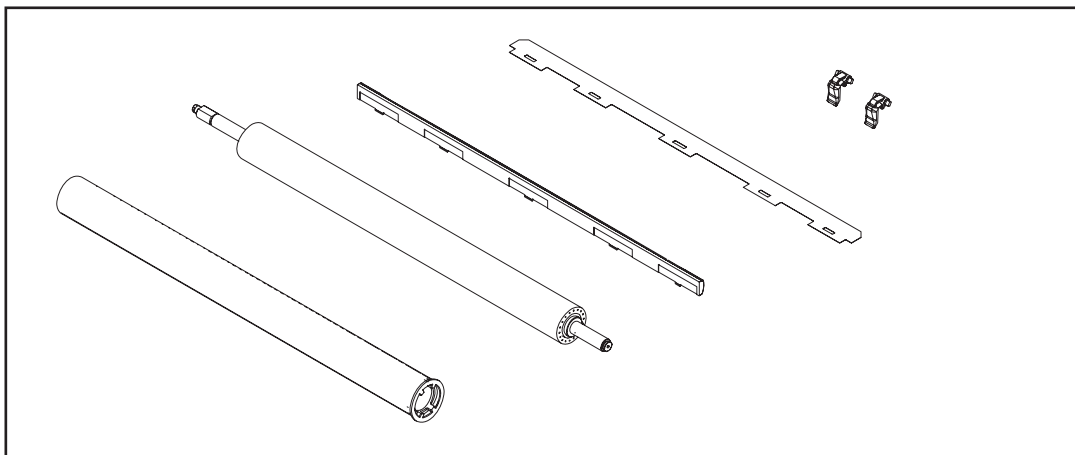
1



2



3



4

TOSHIBA

TOSHIBA TEC CORPORATION

1-11-1, OSAKI, SHINAGAWA-KU, TOKYO, 141-8562, JAPAN