

Parts Lists

5

In this chapter...

- [Serial Number Format](#)
- [Using the Parts List](#)
- [Parts Lists](#)
- [Xerox Supplies and Accessories](#)

Serial Number Format

Changes to Xerox products are made to accommodate improved components. When ordering parts include this information:

- Component's part number
- Product type or model number
- Serial Number of the printer

The serial number is located on the right-side frame near the Fuser.

The nine-digit serial number uses the format **PPPRSSSSS** or **MMMSSSSSc**.

- **PPP** = Three digit alphanumeric product code
- **MMM** = Three digit numeric manufacturing location code

Product Code	Location Code	Product
LA0	397	Phaser 3320_DN, 110V Engine
LA1	397	Phaser 3320_DN, 220V Engine
LA2	397	Phaser 3320_DNI, 100V Engine
LA3	397	Phaser 3320_DNI, 220V Engine
LA4	397	WorkCentre 3315_DN, 110V Engine
LA5	397	WorkCentre 3315_DN, 220V Engine
LA6	397	WorkCentre 3325_DN, 110V Engine
LA7	397	WorkCentre 3325_DN, 220V Engine
LA8	397	WorkCentre 3325_DNI, 110V Engine
LA9	397	WorkCentre 3325_DNI, 220V Engine

- **R** = Single digit numeric revision digit, 0-3. To be rolled when the ending serial number is reached or when a major product change occurs.
- **SSSS(S)** = Five or six digit numeric serial number based on the following table. The serial numbers are reset only when the ending number is reached or when the revision number is rolled.
- **c** = Check digit (correct number from check digit algorithm)

Product	Starting Serial Number	Ending Serial Number
Phaser 3320DN	080501	107500
Phaser 3320DN	107501	197500
Phaser 3320DNI	197501	202500
Phaser 3320DNI	202501	217500
WorkCentre 3315DN, 110V Engine	217501	234500
WorkCentre 3315DN, 220V Engine	234501	279500

Product	Starting Serial Number	Ending Serial Number
WorkCentre 3325DN, 110V Engine	279501	326500
WorkCentre 3325DN, 220V Engine	326501	399500
WorkCentre 3325DNI, 110V Engine	411501	419500
WorkCentre 3325DNI, 220V Engine	399501	411500

Example

LA13970107601: Xerox Serial Number

LA1: Manufacturing Code for Phaser 3320DN, 220V Engine

0: Revision Level

107601: Serial Number for Phaser 3320DN

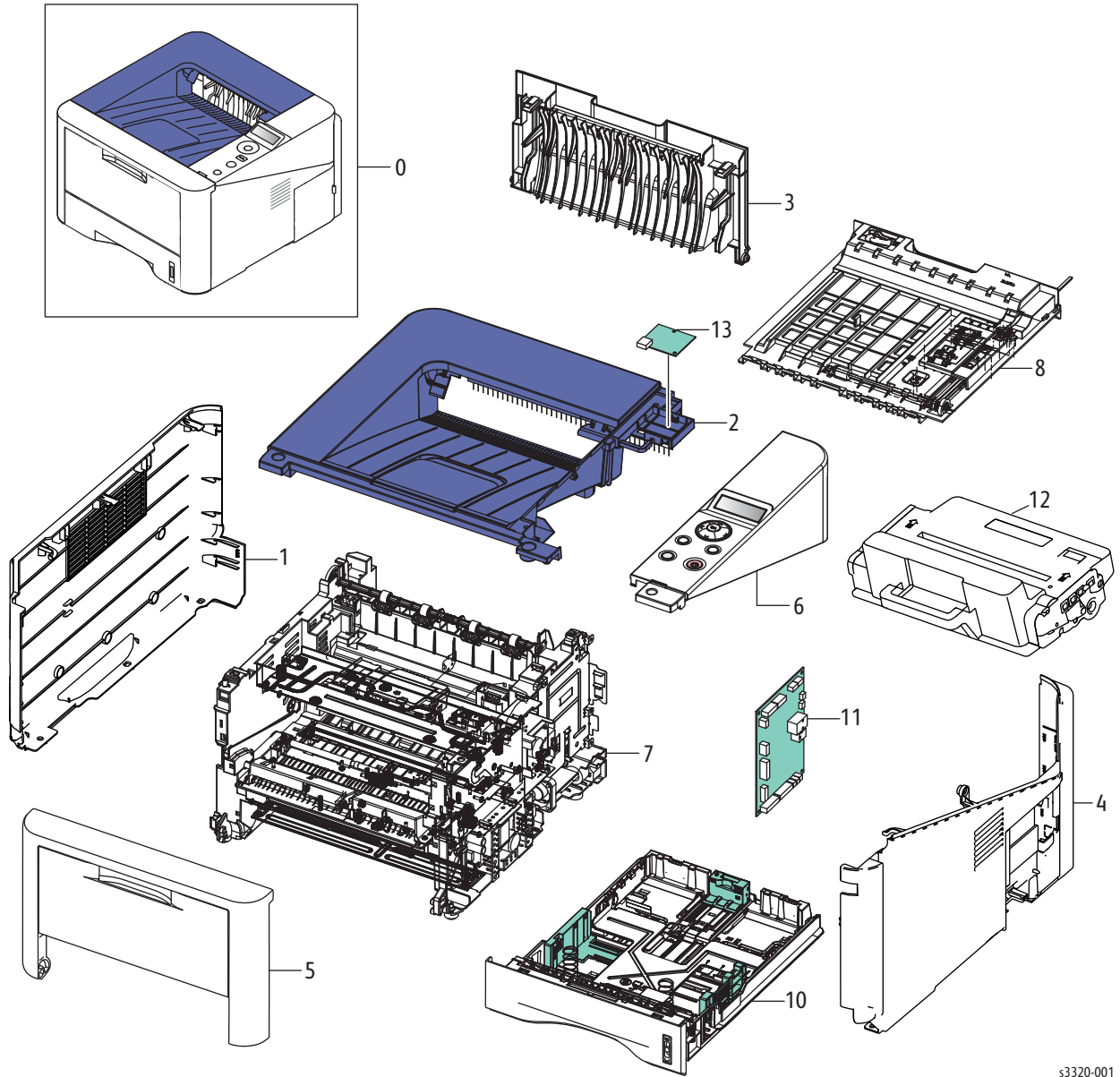
Using the Parts List

- **ID No.:** The callout number from the exploded part diagram.
- **Name/Description:** The name of the part to be ordered and the number of parts supplied per order.
- **Part Number:** The material part number used to order that specific part.
- Parts identified throughout this manual are referenced **PL#.#.#**; For example, PL3.1.10 means the part is item 10 of Parts List 3.1.
- A Black triangle preceding a number followed by a parenthetical statement in an illustrated parts list means the item is a parent assembly, made up of the individual parts called out in parentheses.
- The notation “**with X~Y**” following a part name indicates an assembly that is made up of components X through Y. For example, “1 (with 2~4)” means part 1 consists of part 2, part 3, and part 4.

Note: Only parts with part numbers are available for ordering. Parts without part numbers are available on the parent assembly.

Parts Lists

Parts List 1.0 Phaser 3320 Main

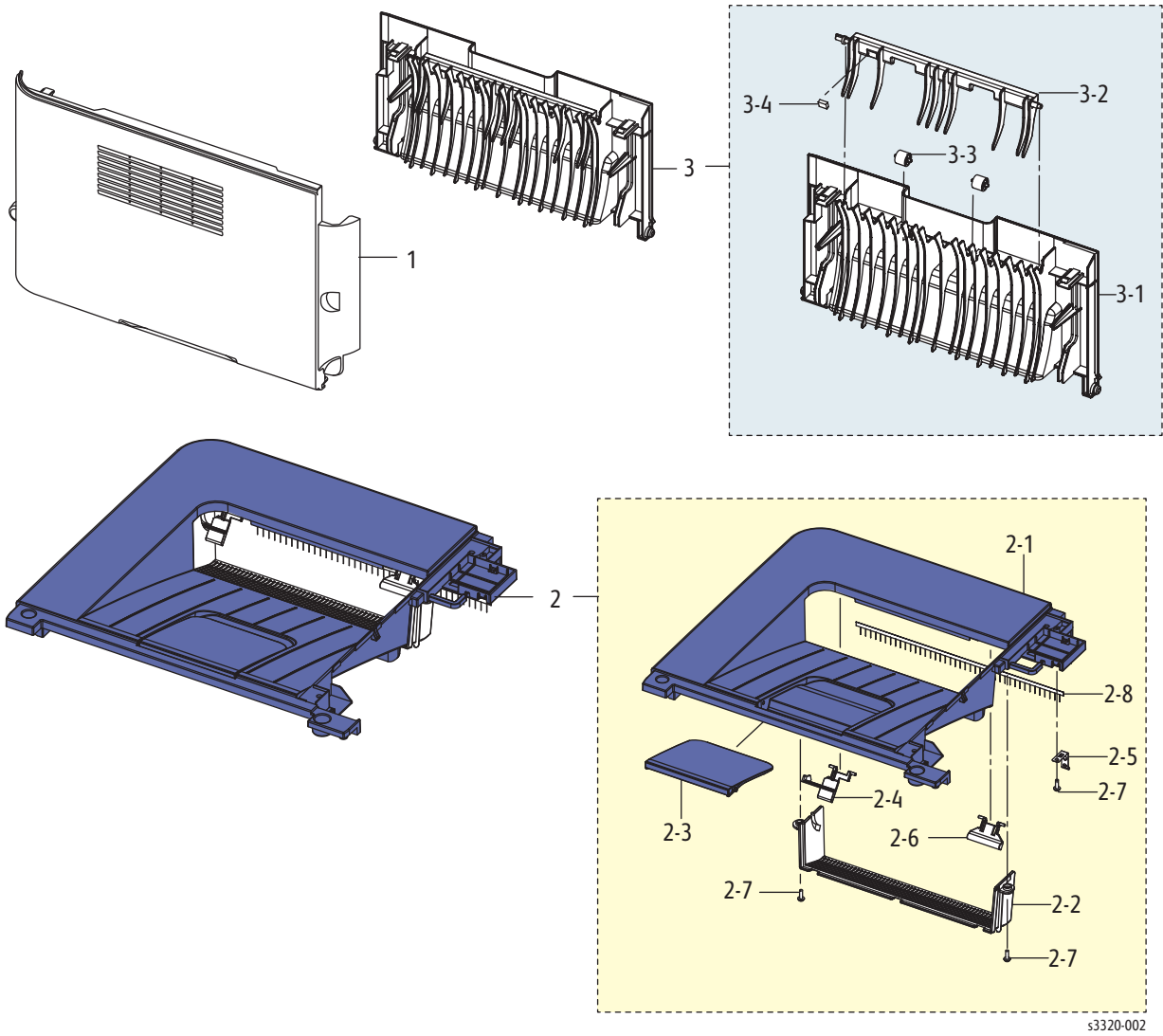


s3320-001

Parts List 1.0 Phaser 3320 Main

Item	Name	Part Number
0	Phaser 3320	
1	Left Cover	002N03055
2	Top Cover	002N03056
3	Rear Cover	095N00415
4	Right Cover	002N03057
5	Front Cover	002N03058
6	Control Panel	See Parts List 2.1 Phaser 3320 Control Panel
7	Main Frame	Parts List 3.1 Frame
8	Duplex Assembly	022N02676
9	Duplex Rear Cover	
10	Tray 1	050N00650
11	Main Board (Wireless) Main Board (Non-Wireless)	140N63637 140N63636
12	Print Cartridge	See Consumables and Maintenance Items
13	Wireless Board	140N63633

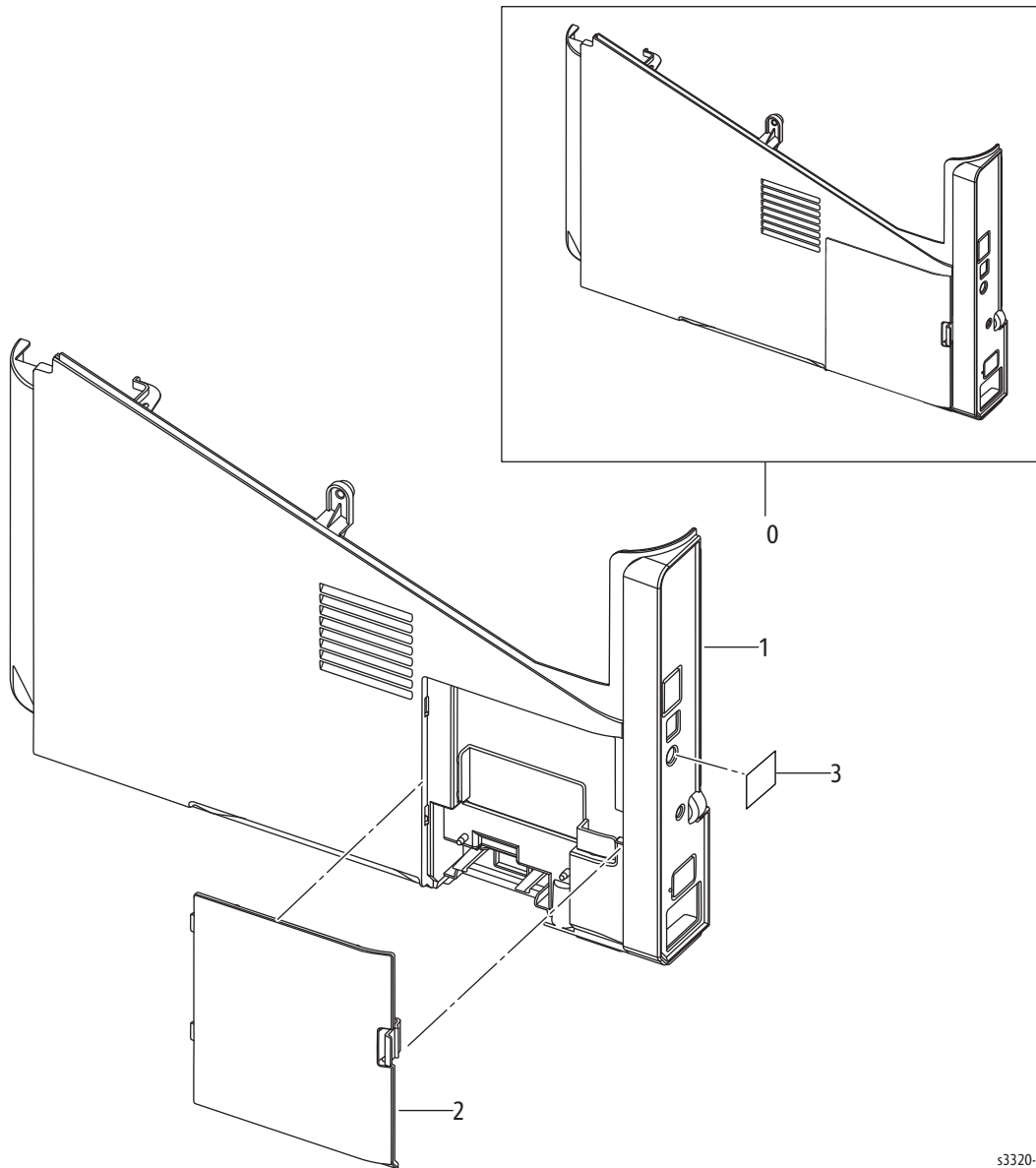
Parts List 1.1 Phaser 3320 Covers



Parts List 1.1 Phaser 3320 Covers

Item	Name	Part Number
1	Left Cover	002N03055
2	Top Cover Assembly	002N03056
2.1	Top Cover	
2.2	Exit Cover	
2.3	RX Stacker	
2.4	Bin Full Stacker	
2.5	Exit Ground	
2.6	Sub M Stacker PMO	
2.7	Taptype Screw	
2.8	531P Antistatic Brush	
3	Rear Door Assembly	
3.1	Rear Door	095N00415
3.2	Guide Change Dup	
3.3	Idle Roller	
3.4	Sponge-Guide Change Dup	

Parts List 1.2 Phaser 3320 Right Cover

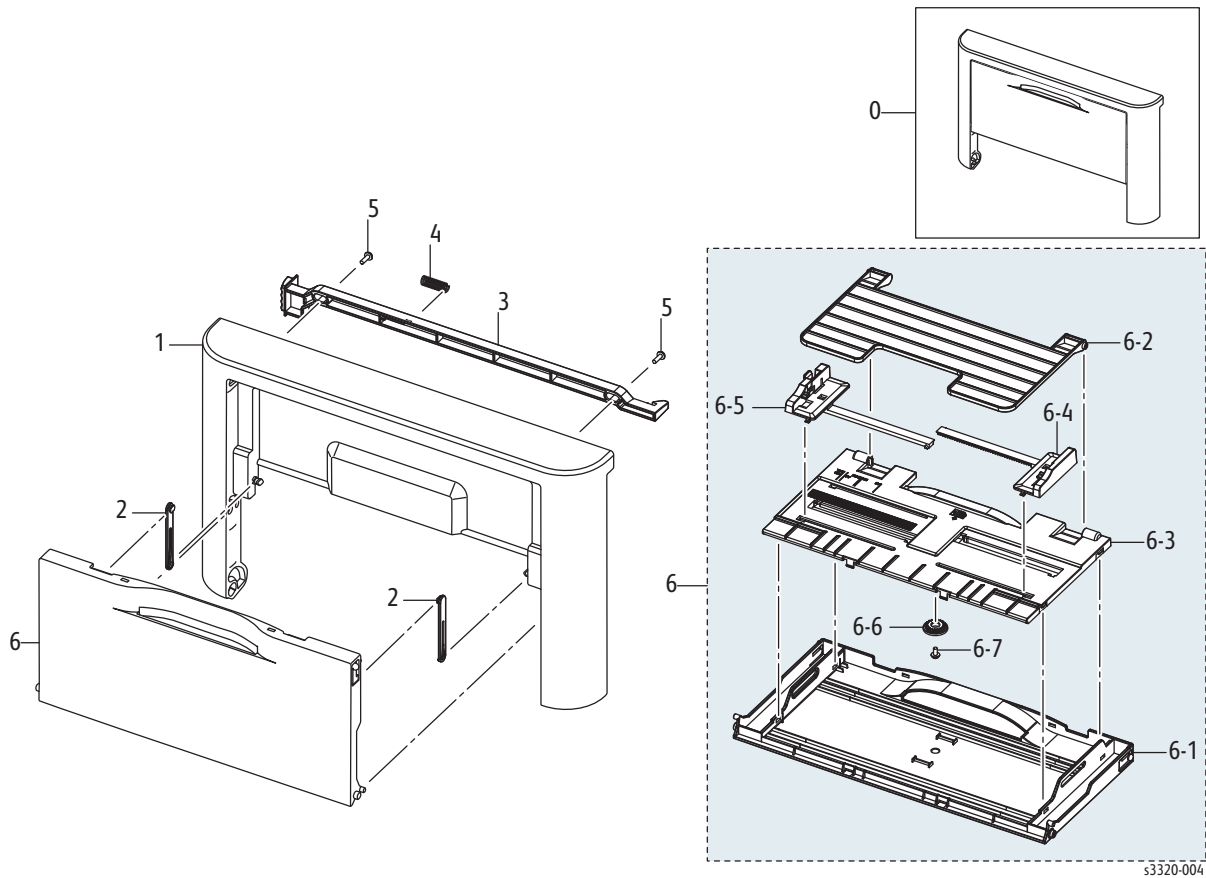


s3320-003

Parts List 1.2 Phaser 3320 Right Cover

Item	Name	Part Number
1	Right Cover	002N03057
2	SCF Cover	
3	Sheet-Output_5V Note: Order this adhesive-backed sheet to cover the 5V input when replacing the Right Cover.	019N01079

Parts List 1.3 Phaser 3320 Front Cover

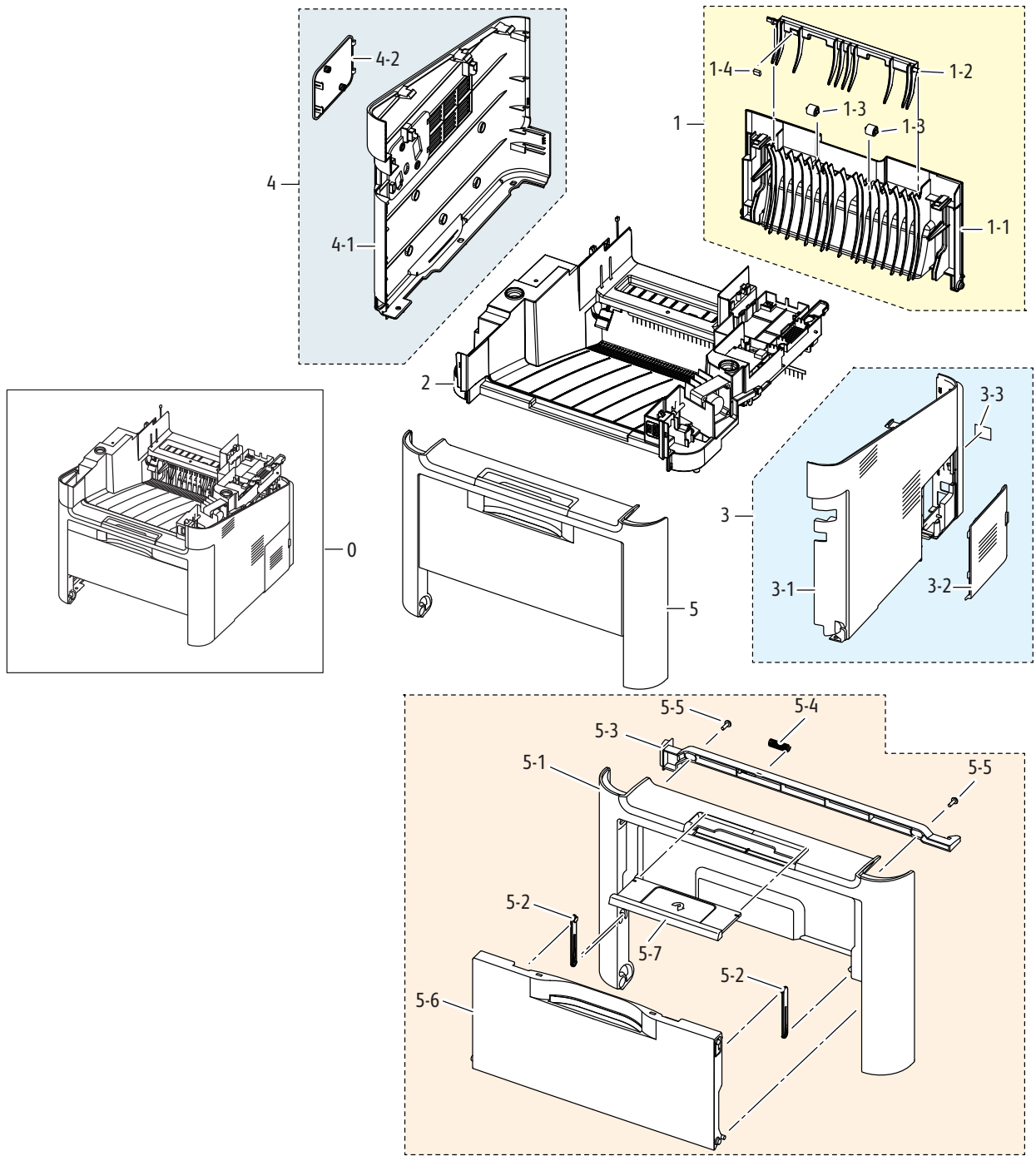


s3320-004

Parts List 1.3 Phaser 3320 Front Door

Item	Name	Part Number
0	Front Cover	002N03058
1	Front Cover	
2	Cover MPLink	
3	Front Locker	
4	CS Spring	
5	Taptype Screw	
6	Front Door	
6.1	Upper Tray	
6.2	MP Extension Tray	
6.3	MP Lower Tray	
6.4	MP Left Adjust	
6.5	MP Right Adjust	
6.6	Rack Pinion Gear	
6.7	Taptype Screw	

Parts List 1.4 WorkCentre 3315/3325 Covers

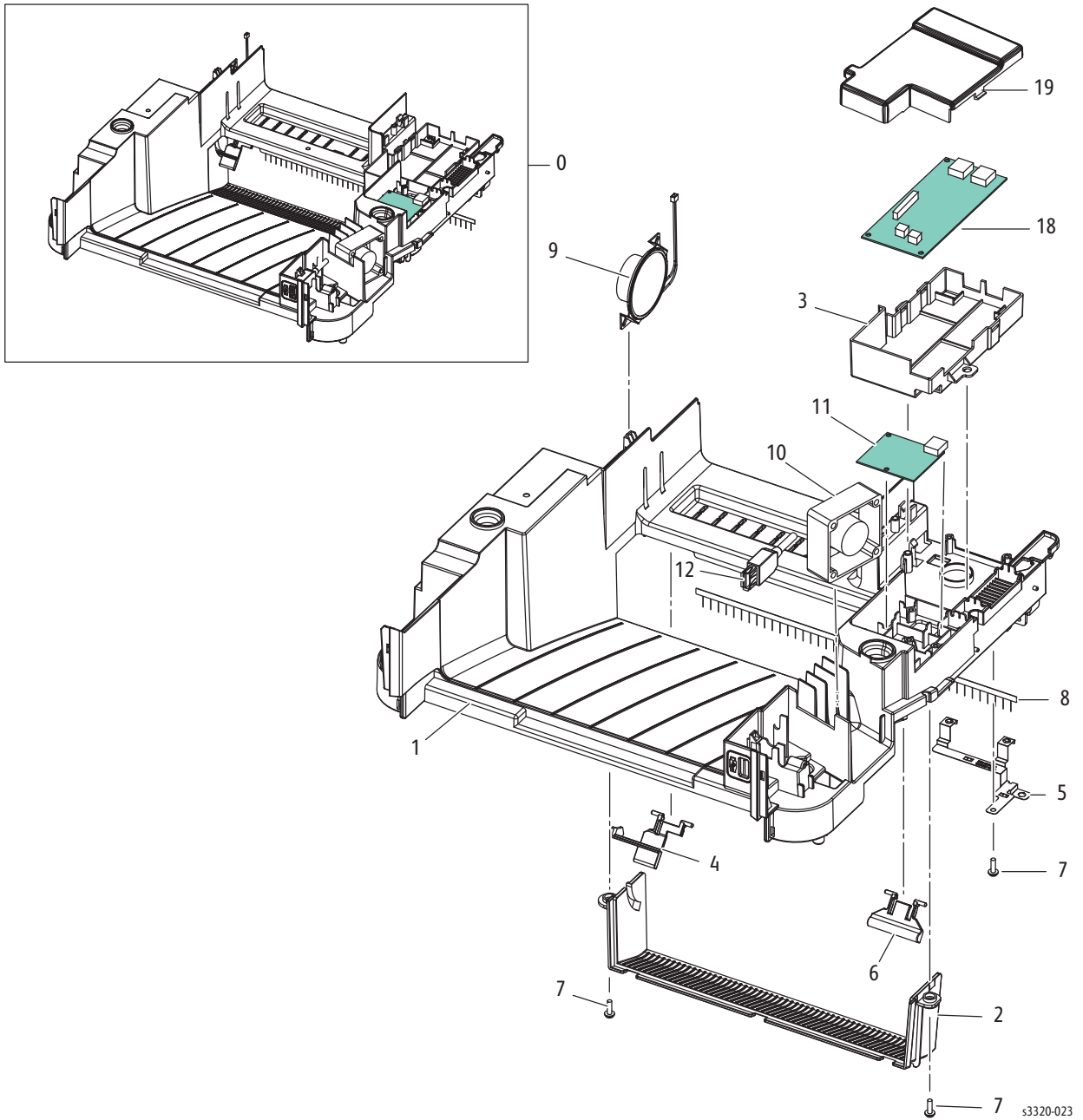


s3320-024

PL 1.4 WorkCentre 3315/3325 Covers

Item	Name	Part Number
1	Rear Door Assembly (Rear Door)	
1-1	Rear Cover	095N00415
1-2	Change Dup Guide	
1-3	Idle Roller	
1-4	Dup Change Guide Sponge	
2	Middle Cover	095N00413
3	Right Cover Assembly (Right Cover)	
3-1	Right Cover	095N00417
3-2	DIMM Cover	
3-3	Sheet-Output_5V Note: Order this adhesive-backed sheet to cover the 5V input when replacing the Right Cover.	019N01079
4	Left Cover Assembly (Left Cover)	
4-1	Left Cover	095N00418
4-2	Left Dummy Cover	
4-3	Handset Dummy Cover	
5	Front Cover	
5-1	Front Cover	095N00419
5-2	Cover MP Link	
5-3	Front Locker	
5-4	CS Spring	
5-5	Taptype Screw	
5-6	Tray MP Guide	
5-7	Exit Guide	

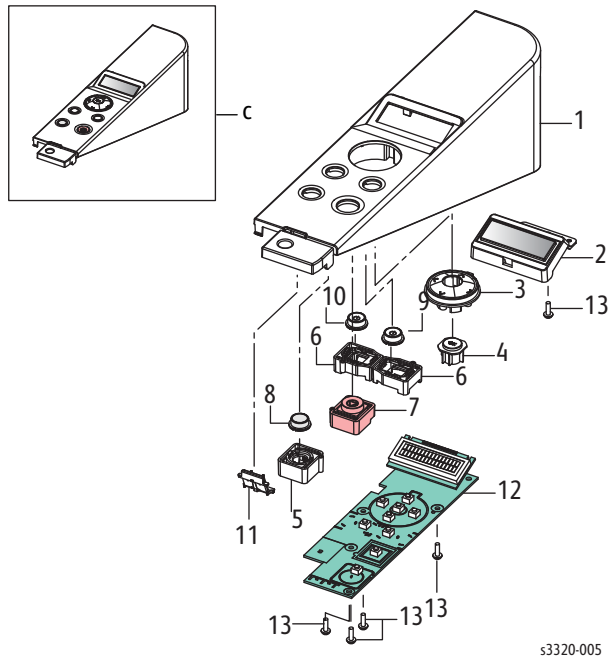
Parts List 1.5 WorkCentre 3315/3325 Middle Cover



PL 1.5 WorkCentre 3315/3325 Middle Cover

Item	Name	Part Number
0	Middle Cover Assembly (Middle Cover)	
1	Middle Cover	095N00416
2	Exit Cover	
3	L Fax Board Cover	
4	Bin Full Stacker	
5	Fax Ground	
6	Sub M Stacker PMO	
7	Taptype Screw	
8	531P Antistatic Brush	
9	Speaker	130N01532
10	Middle Cover Fan	
11	Wireless Board	140N63633
12	USB Host Harness	
13	Extension Spk Harness	
14	Middle Fan Harness	
15	H Extension Spk Harness	
16	WLAN Harness	
17	Exit Ground	
18	PBA Sub-Modem	140N63646

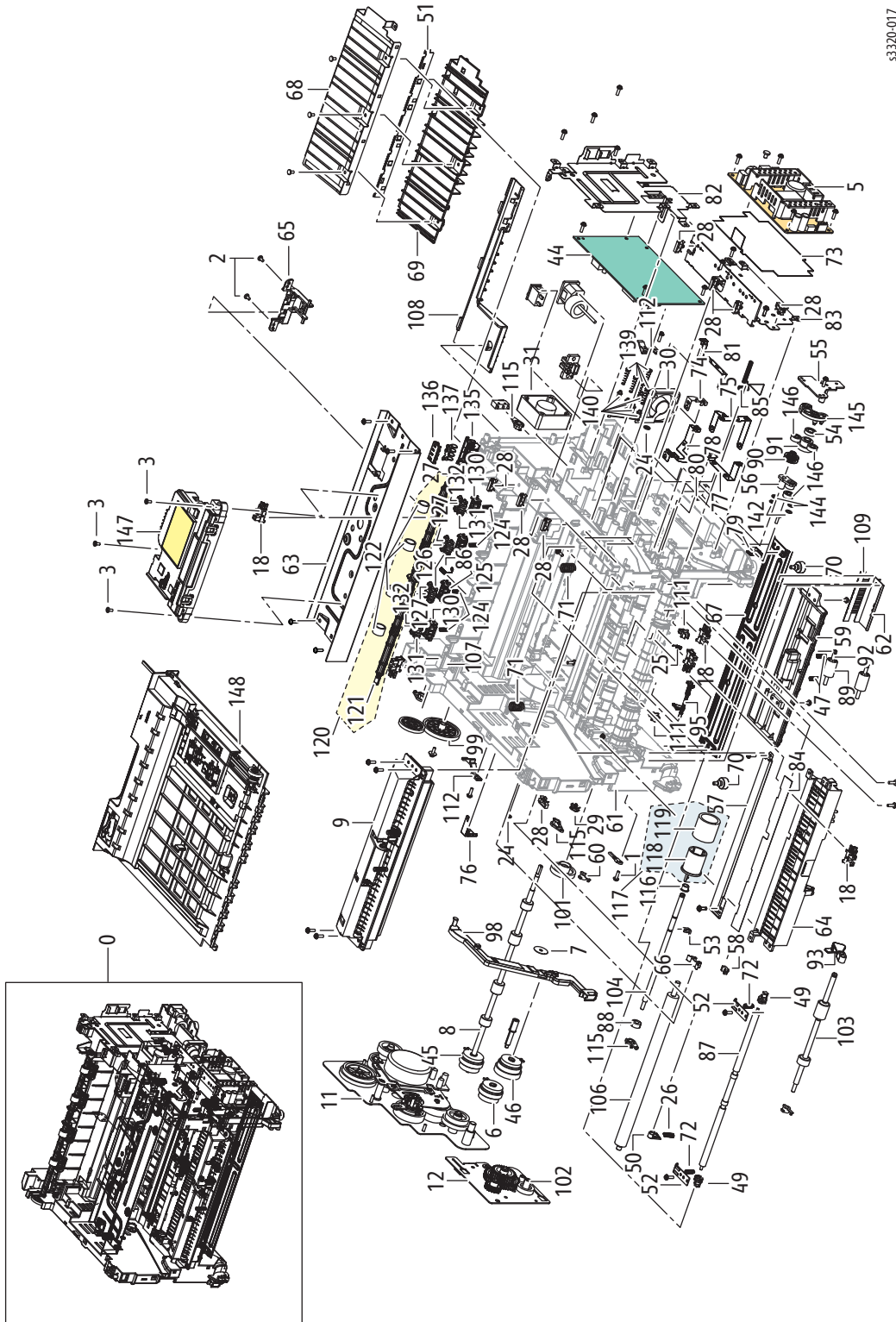
Parts List 2.1 Phaser 3320 Control Panel



Parts List 2.1 Phaser 3320 Control Panel

Item	Name	Part Number
0	Control Panel	
1	Phaser 3320DN Control Panel Cover	101N01465
	Phaser 3320DNI Control Panel Cover	101N01466
2	LCD Window Cap	
3	Menu Key	
4	OK Key	
5	Power Key Holder	
6	Body Key	
7	Stop Key	
8	Power Key	
9	Economy Key	
10	WPS Key	
11	Status Lens	
12	Phaser 3320DN Control Panel Board	140N63638
	Phaser 3320DNI Control Panel Board	140N63639
13	Tatype Screw	

Parts List 3.1 Frame



s3320-017

Parts List 3.1 Frame

Item	Name	Part Number
0	Main Frame	
1	Taptype Screw	
2	Taptype Screw	
3	Taptype Screw	
4	Clutch and Sensor MP Harness	
5	Phaser 3320/WorkCentre 3315 LVPS (110V)	105N02245
	LVPS (220V)	105N02246
	WorkCentre 3325 LVPS (110V)	105N02247
	LVPS (220V)	105N02249
6	Electric Clutch (Bypass Tray Clutch)	121N01219
7	Clutch Spacer	
8	Regi Feed Shaft	
9	MP (Bypass Tray)	130N01676
10	Fuser (110V), shown in Parts List 3.3 Fuser	126N00410
	Fuser (220V), shown in Parts List 3.3 Fuser	126N00411
11	Drive	007N01711
12	Feed Drive	022N02679
13	Rear Frame	
14	ETC Frame	
15	Graphite Grease	
16	Bearing Grease	
17	Bearing Grease	
18	Photo Interrupter	130N01574
19	Thermistor NTC Assy, shown in Parts List 3.3 Fuser	130N01668
20	Taptype Screw	
21	Taptype Screw	
22	Taptype Screw	
23	Taptype Screw	
24	CS Ring	
25	TS Spring	009N01653
26	CS Spring	
27	TS Spring	
28	Cable Clamp	
29	Cable Clamp	

Parts Lists

Item	Name	Part Number
30	LVPS Fan (110V printers only)	127N07782
31	Exhaust Fan	
32	Sensor Harness	
33	Clutch Motor Harness	
34	Air Temp Harness	
35	Exit Harness	
36	Rear Cover & Bin Full Sensor Harness	
37	HVPS Harness	
38	LVPS (Signal) Harness	
39	Flat Cable	
40	Therm Fuser Harness	
41	Power LVPS Harness	
42	Inlet-2 AC Harness	
43	Bias Fuser Harness	
44	HVPS	105N02248
45	Electric Clutch (Registration Clutch)	121N01219
46	Electric Clutch (Pick Up Clutch)	121N01220
47	TR(KOR) ETC Spring	
48	4 Bush	
49	Idle Feed M Bush	
50	L TR M Bush	
51	SAW P Plate	
52	Bushing Push P Plate	
53	4PI Ring M E Fixer	
54	Swing Collar	
55	Swing Bracket	
56	Regi	
57	Transfer Earth Plate	
58	TR L Bush	
59	Path EX Duplex Frame	
60	Exit Shaft Bush	
61	Base Frame	
62	Ground Paper Bracket	
63	LSU Bracket	
64	Duplex Frame Guide	
65	Exit Sensor Holder	130N01669

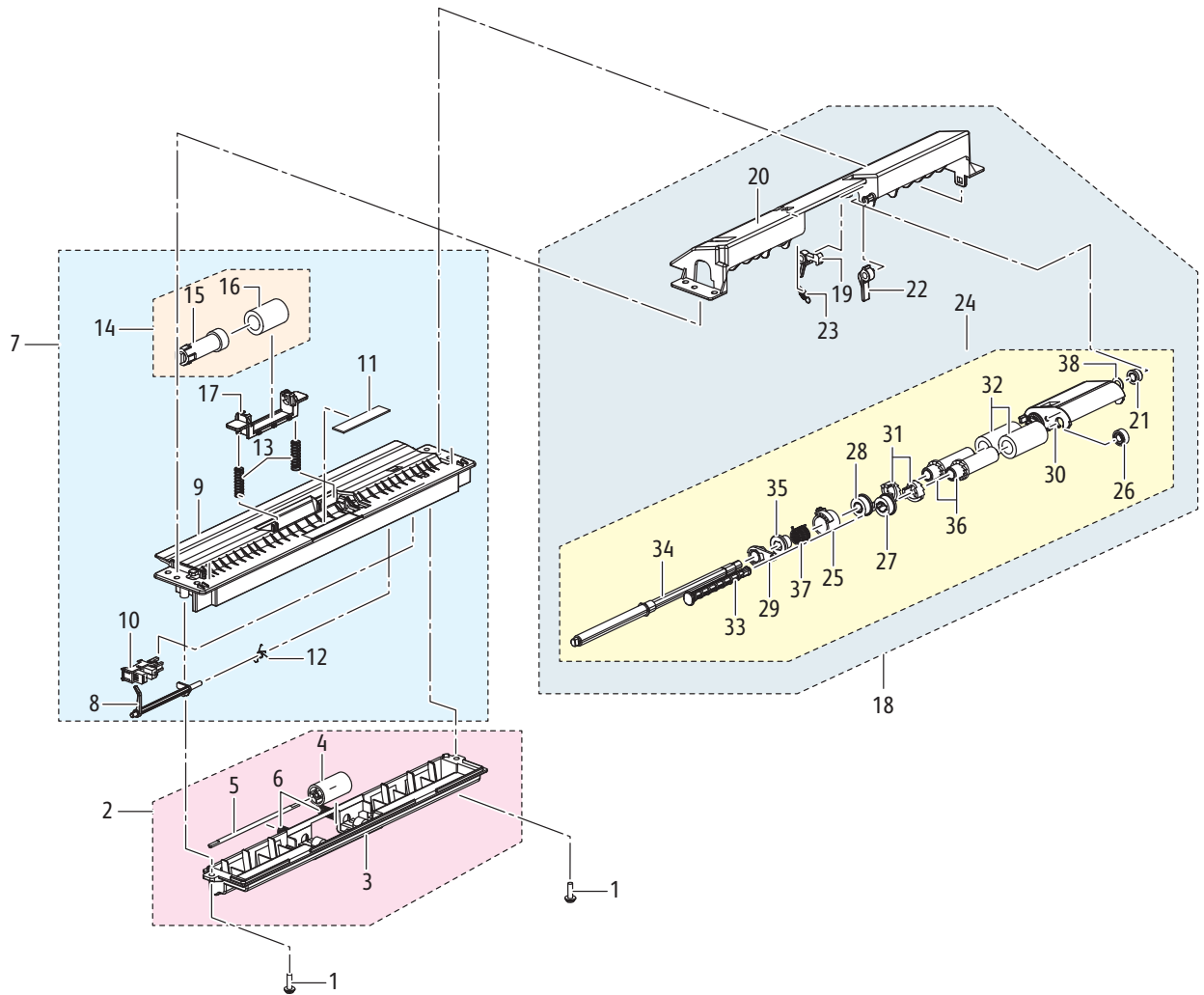
Item	Name	Part Number
66	TR Holder	
67	Bottom Frame Plate	
68	TR Guide	
69	RIB TR Guide	
70	ML80 Foot	
71	Deve Guide ETC Spring	
72	TR ETC Spring	
73	LVPS Insulation	
74	Guide TR Ground	
75	Paper BRKT Ground	
76	Gear BRKT Ground	
77	HVPS Ground	
78	LSU Bracket Ground	
79	Bottom L Plate Ground	
80	SCF Ground	
81	Varistor Ground	
82	Controller Shield	
83	LVPS L Shield	
84	Path Duplex Sheet	
85	TR Terminal	
86	PR Fuser Terminal	
87	Idle Feed Shaft	
88	P One Way Clutch	
89	SCF M Idle Roller	
90	28 DR Duplex Gear	
91	23/23 RDCN Gear	007N01706
92	DUP Roller Shaft	
93	Empty Actuator	
94	Regi Actuator	
95	Feed Actuator	
96	Holder L OPC Lever	
97	Holder R OPC Lever	
98	Bar Coupling Lever	005N01146
99	96 Idle Exit Gear	007N01707
100	65 Exit Gear	
101	29 Idle Feed Gear	007N01708

Parts Lists

Item	Name	Part Number
102	20 Feed Gear	022N02672
103	Feed Roller	022N02673
104	Pick Up Shaft	
105	REGI Feed Roller	
106	Transfer Roller	022N02674
107	Sensor BINFULL Damper	
108	Harness Cap	
109	Pick Brush	
110	Hot Caution Label	
111	Feed Bushing PMO	
112	CST Locker PMO	
113	DEVE L Guide Plate PMO	
114	DEVE R Guide Plate PMO	
115	Shaft Bearing PMO	
116	Pick Up Roller Bushing	
117	Pick Up Roller (with 118 and 119)	130N01677
118	Pick Up Housing	130N01670
119	Pick Up Rubber	130N01671
120	Exit Roller Frame (with 121 and 122)	022N02678
121	F Down Exit Shaft	
122	F Down Exit Rubber	
123	Decurl Roller Frame	
124	CS Spring	
125	Exit Roller Holder	
126	Main Exit M Roller	
127	FR Exit M Roller	
128	Decurl Roller Frame	
129	CS Spring	
130	F/Down Exit M Holder	
131	Main Exit M Roller	
132	FR Exit M Roller	
133	CRUM Upper Frame	
134	CRUM Harness	
135	CRUM Lower Holder	019N01076
136	CRUM Upper Holder	019N01077
137	CRUM Terminal	116N00276

Item	Name	Part Number
138	L TR Terminal ELA Unit	
139	Large HV ETC Spring	
140	Large HV Shaft ICT	
141	Swing ELA Unit	
142	Bearing Grease	
143	Plain Washer	
144	CS Ring	
145	Duplex Swing Bracket	
146	19 DR Swing Gear	007N01705
147	LSU (Laser Unit)	130N01678
148	Duplex Assembly	022N02676
149	USB M Shield	

Parts List 3.2 Bypass Tray

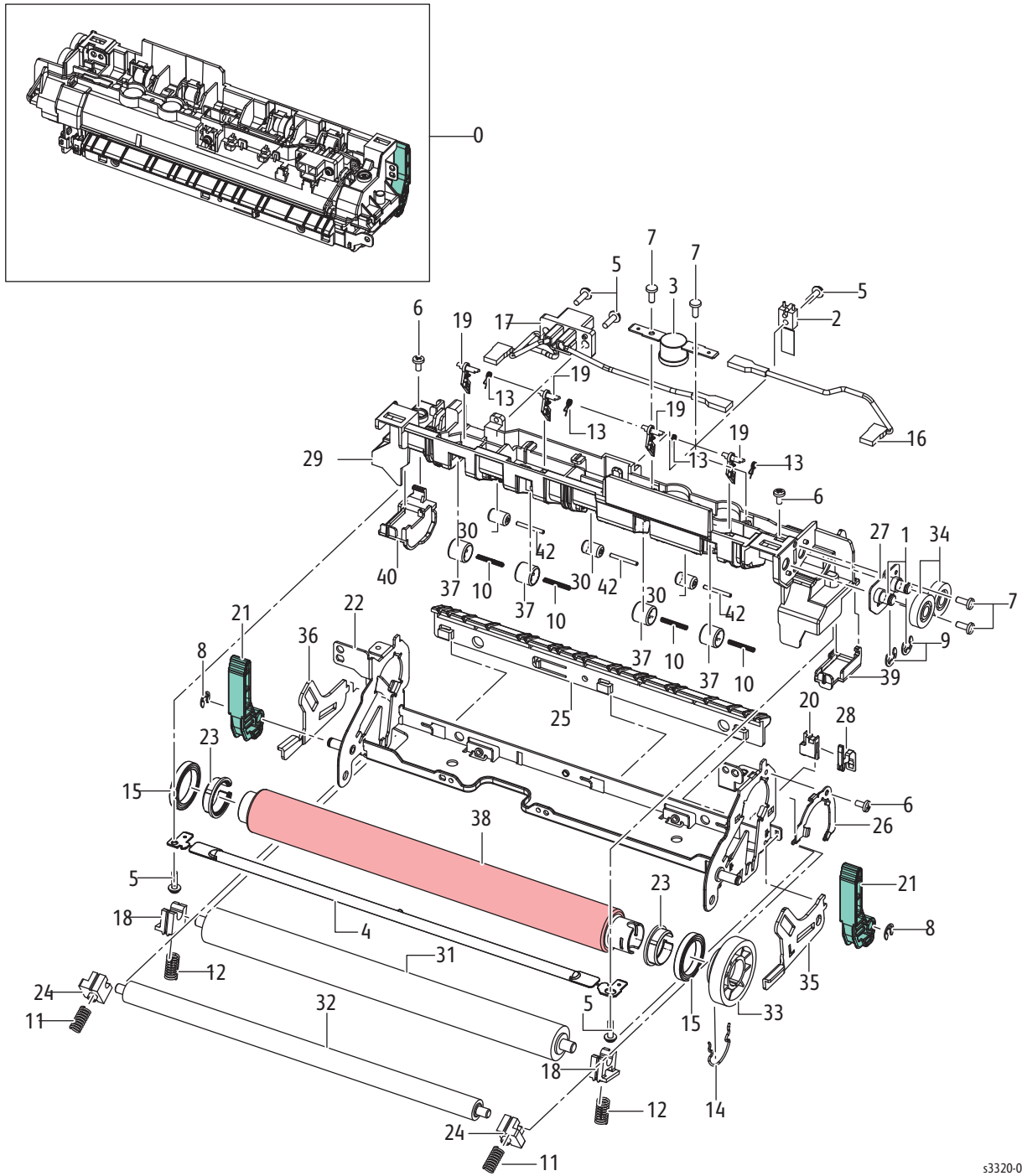


s3320-008

Parts List 3.2 Bypass Tray

Item	Name	Part Number
0	Bypass Tray	130N01676
1	Taptype Screw	
2	Idle Holder MP	
3	Roller Cover	
4	Idle Roller	
5	ETC Pin	
6	CS Spring	
7	Lower MP	
8	Empty MP Actuator	
9	Lower MP Guide	
10	Bypass Tray Paper Empty Sensor	130N01574
11	Cassette Pad RPR	
12	TS Spring	
13	CS Spring	
14	Retard Roller Cassette (Retard Roller) (includes 15, 16)	022N02677
15	Torque Limiter Coupler	
16	TL Rubber	
17	Retard Shaft Holder	006N01347
18	Upper MP	
19	Arm MP Actuator	
20	Upper MP Guide	
21	Bush PMO	
22	MP Stopper	
23	ES Spring	
24	Pick Up MP (Bypass Tray Pick Up Assembly)	130N01675
25	MP Collar	
26	Idle Pick Up Gear	
27	Joint Gear	
28	Joint2 MP Gear	
29	Shaft Holder	
30	Pick Up MP Housing	
31	Pick Up Clutch Sub PMO	
32	Pick Up Rubber	
33	Pick Up Sub Shaft	
34	Pick Up MP Shaft	
35	MP Clutch Sleeve	
36	MP Sleeve	
37	TS Spring	
38	Plain Washer	

Parts List 3.3 Fuser

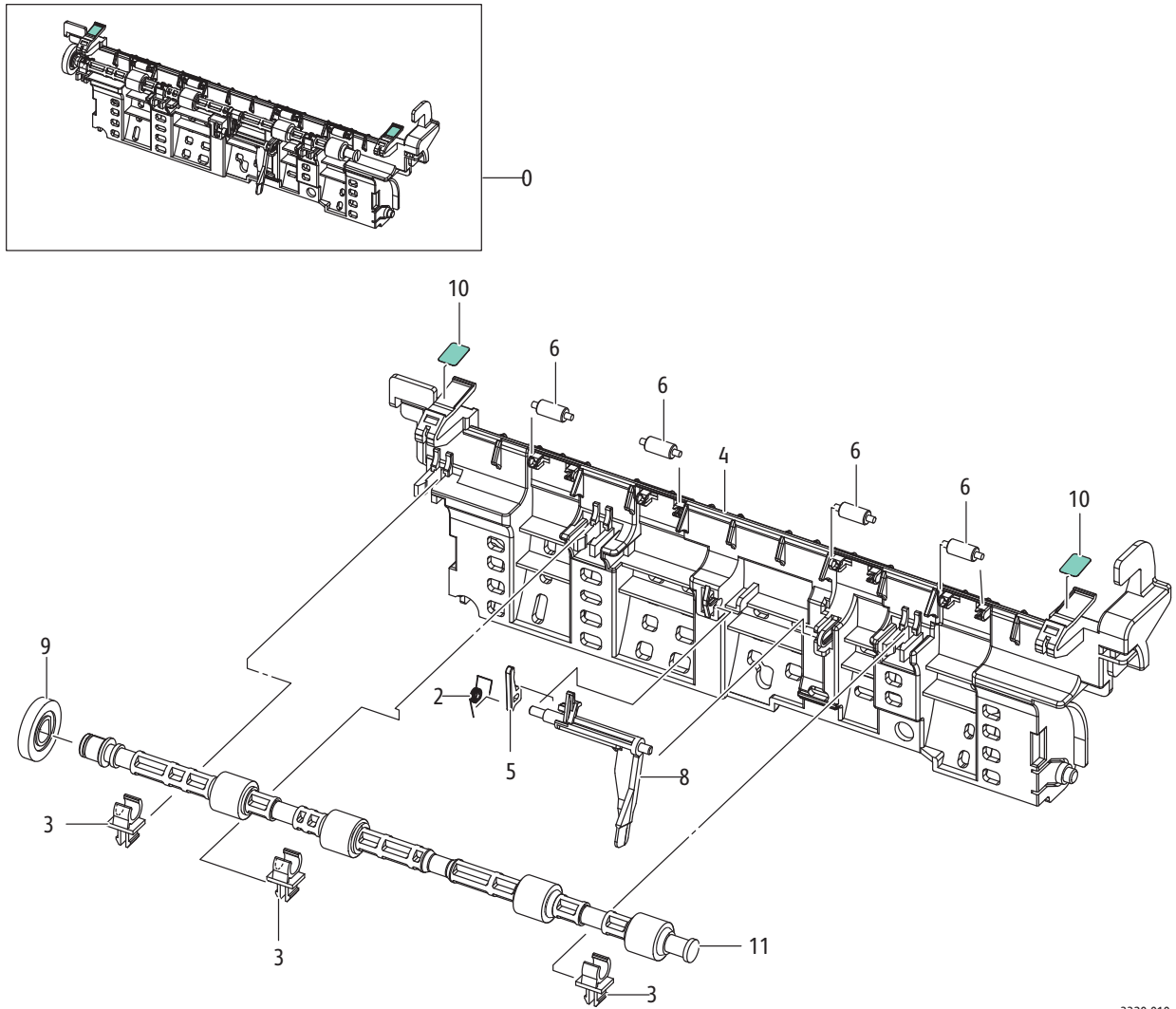


s3320-009

Parts List 3.3 Fuser

Item	Name	Part Number
0	110V Fuser 220V Fuser	126N00410 126N00411
2	NTC Assy Thermistor	130N01668
3	Thermostat	
4	Halogen Lamp (110V/220V)	
5	Taptype Screw	
6	Taptype Screw	
7	Taptype Screw	
8	E Ring	
9	E Ring	
10	ETC Spring	
11	CS Spring	
12	CS Spring	
13	ETC Spring	
14	ETC Spring	
15	Ball Bearing	
16	Joint Fuser Harness	
17	Con Fuser Harness	
18	PR 1st Bush	
19	Claw Guide	
20	Ground PR Guide	
21	Jam Holder	
22	Fuser Frame	
23	HR Bush	
24	2nd PR Bush	
25	Input Guide	
26	Bearing Bracket	
27	Gear Bracket	
28	PR M Ground	
29	Fuser Cover	
30	Idle Roller	
31	Pressure Roller	
32	2nd Pressure Roller	
33	Fuser Gear	
34	Exit Idle Gear	
35	L Jam Link Lever	
36	R Jam Link Lever	
37	Exit Idle Roller	
38	Heat Roller	
39	L Lamp Cap	
40	R Lamp Cap	
41	Caution Label	
42	F/UP Idle Shaft IEX	

Parts List 3.4 Rear Frame

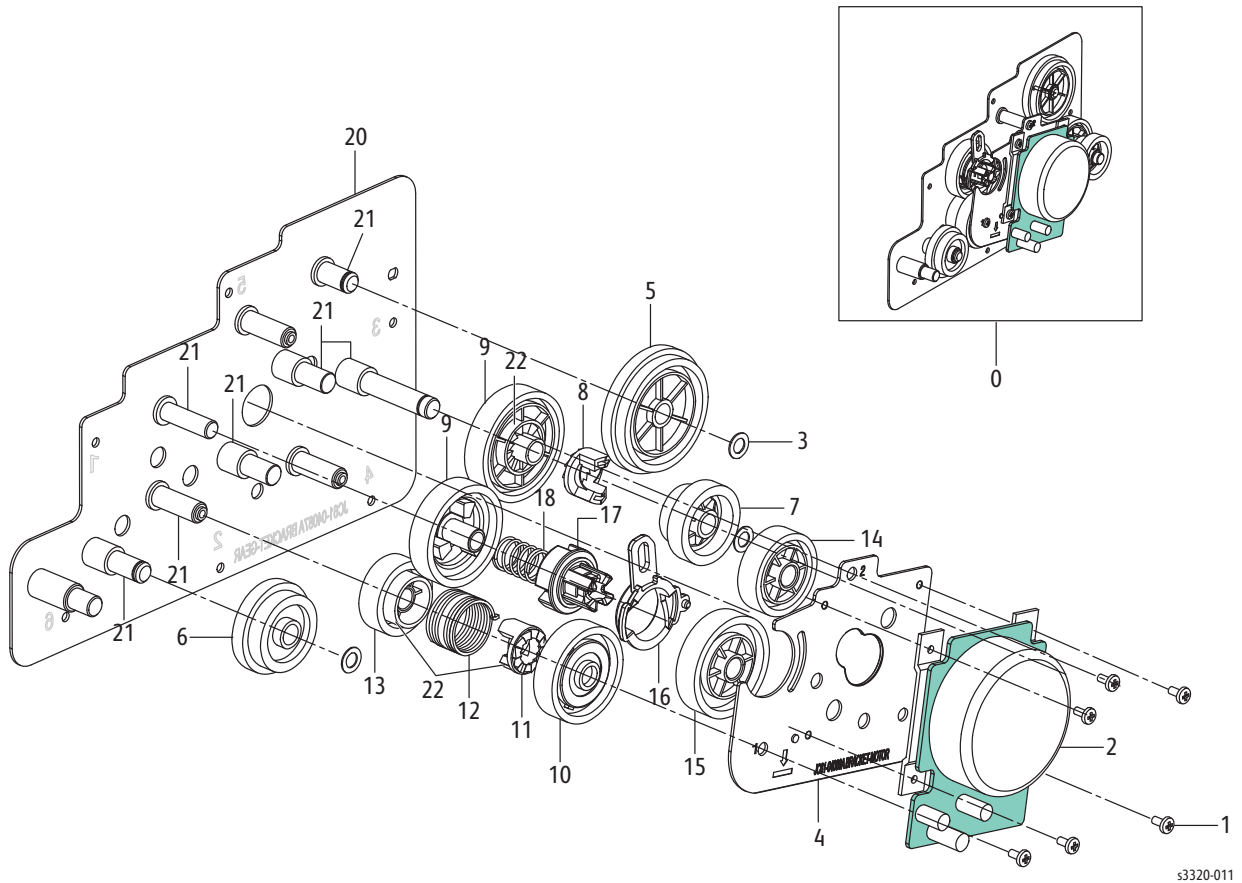


s3320-010

Part List 3.4 Rear Frame

Item	Name	Part Number
0	Rear Frame	001N00534
2	ETC Spring	
3	TX Bush	
4	Rear Guide	
5	Actuator Holder	
6	Idle Exit Roller	
7	Exit F/UP Shaft	
8	Exit Actuator	
9	Exit Z19 Gear	
10	One Touch Label	
11	Exit F/UP Shaft (Exit Roller) (with x4 rubber rolls)	022N02675

Parts List 3.5 Drive

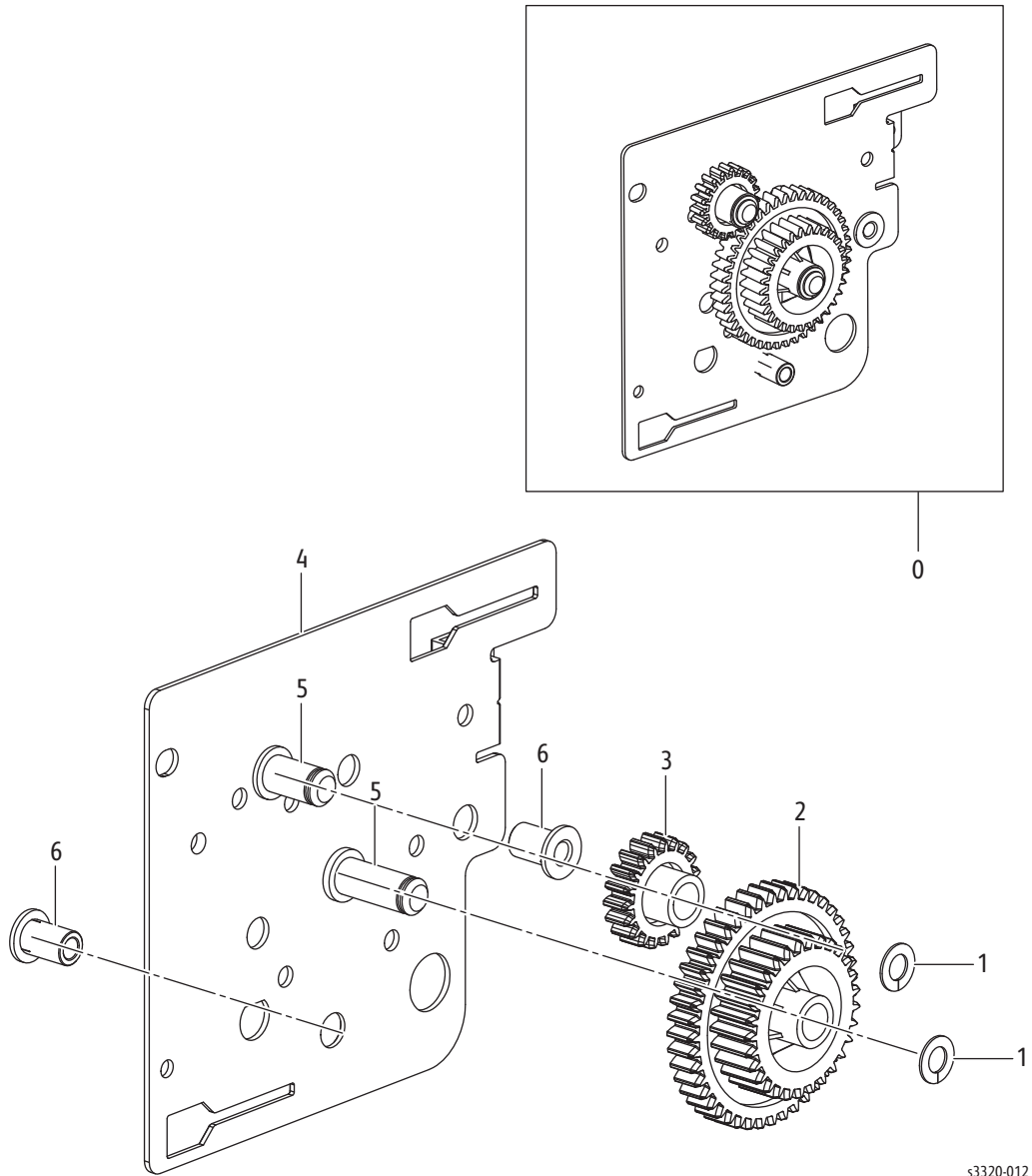


s3320-011

Parts List 3.5 Drive

Item	Name	Part Number
0	Drive	
1	Taptype Screw	
2	BLDC Motor (Main Drive Motor)	127N07780
3	Plain Washer	
4	Motor Bracket	
5	95-81 Exit Gear	
6	65-28 Feed Gear	
7	29 DR Fuser Gear	
8	Clutch Hub Gear	
9	79 IN DR Fuser Gear	
10	69 IN DR OPC Gear	
11	Clutch Hub	
12	TS Spring	
13	53 Out DR OPC Gear	
14	59 Idle Gear	
15	73 Idle Gear	
16	Cam Coupler	
17	Coupler	
18	CS Spring	
19	73 Coupler Gear	
20	Gear Bracket	
21	Bearing Grease	
22	Bearing Grease	

Parts List 3.6 Feed Drive

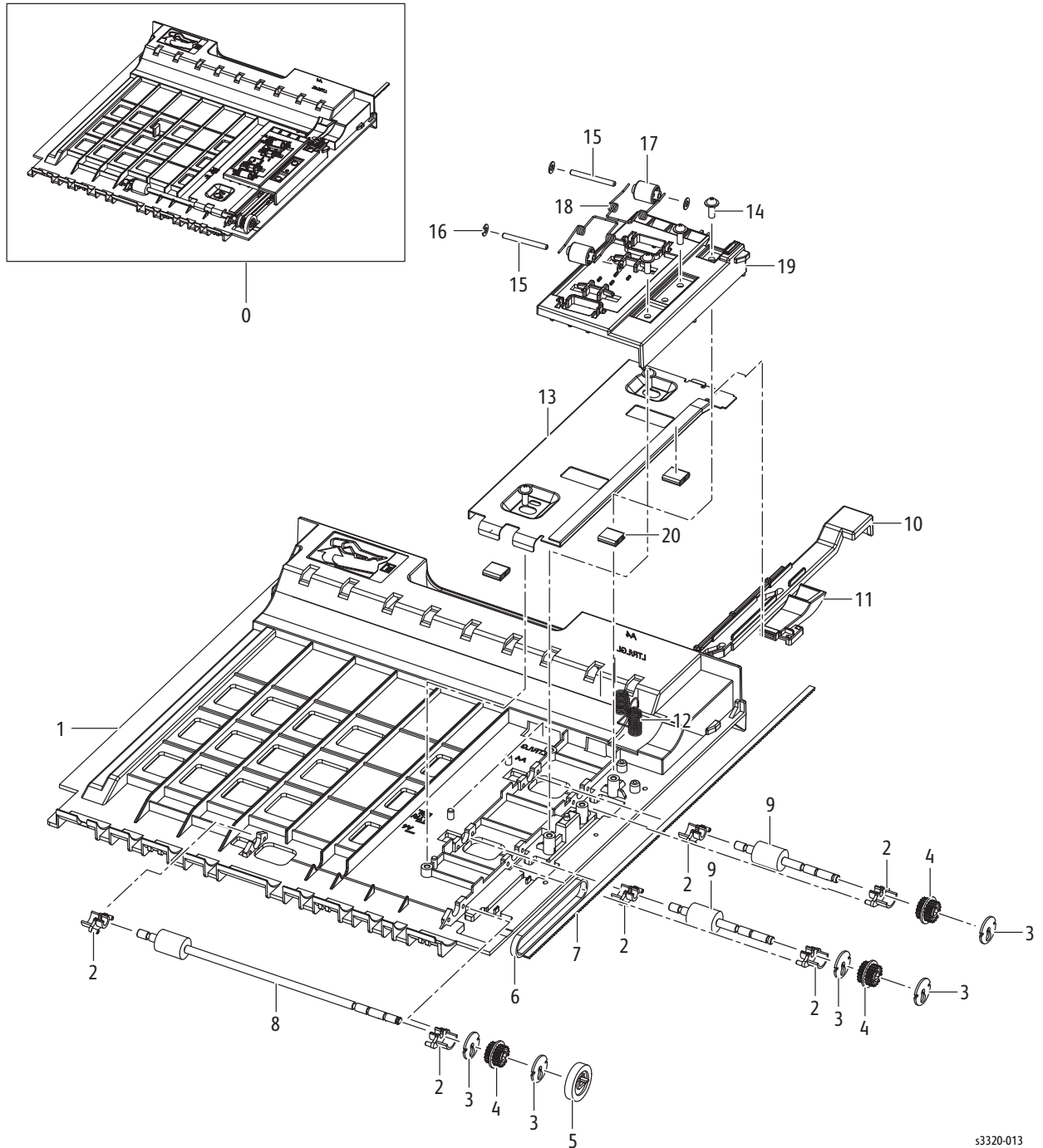


s3320-012

Parts List 3.6 Feed Drive

Item	Name	Part Number
0	Feed Drive	
1	Plain Washer	
2	44-29 Feed Gear	022N02671
3	19 Idle MP Gear	007N01709
4	Feed Bracket	
5	Bearing Grease	
6	Shaft Bush	

Parts List 4.1 Duplex Assembly

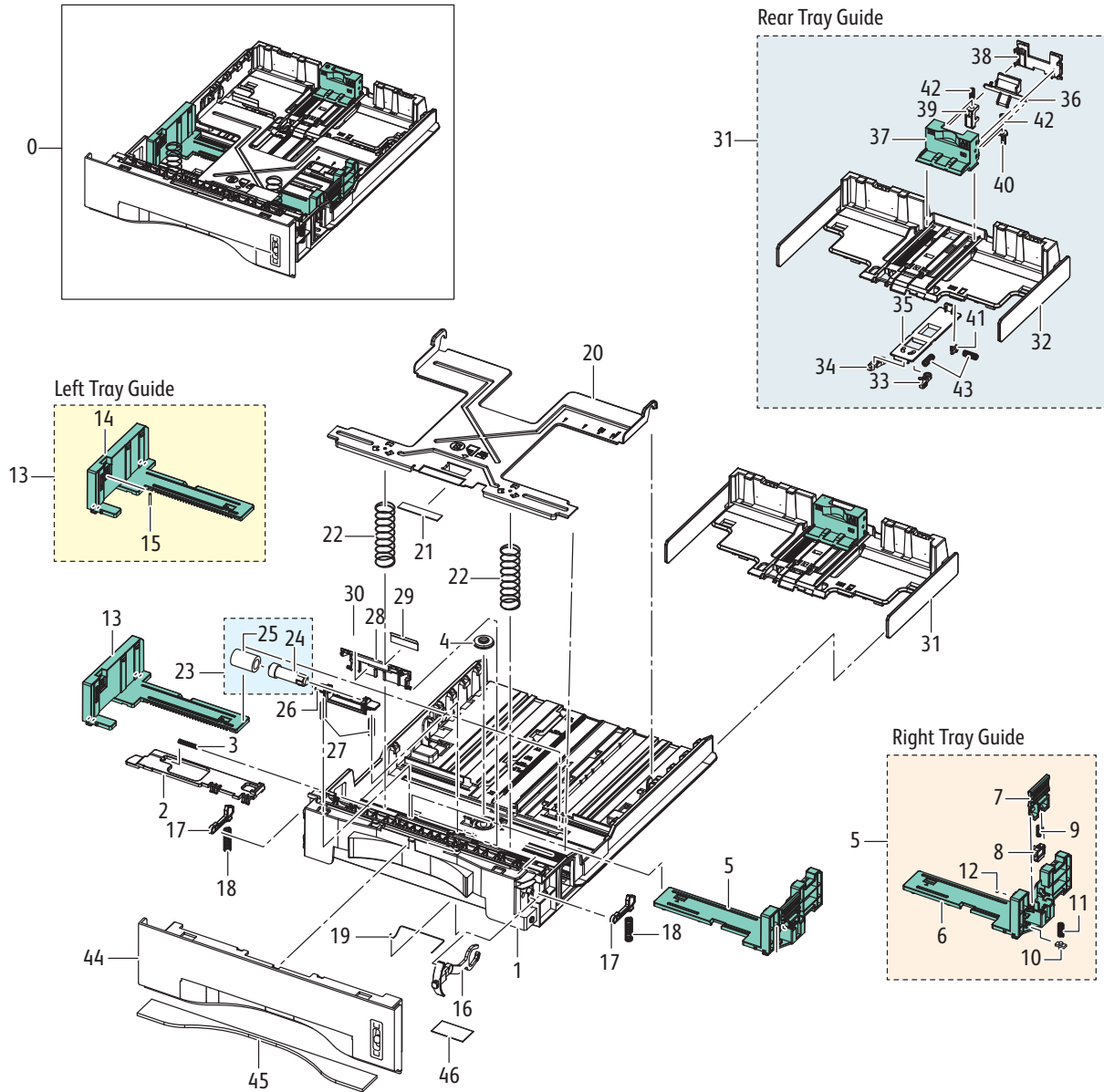


s3320-013

Parts List 4.1 Duplex Assembly

Item	Name	Part Number
0	Duplex Assembly	022N02676
1	Duplex Base Frame	
2	Dup Feed M Bush	
3	Dummy Dup 18 M Pulley	
4	18 Dup Pulley	
5	F/Down Exit Gear	
6	Gear Timing Belt	
7	Timing Belt	
8	Feed DUP2 Roller	
9	Feed Dup Roller	
10	Align Duplex Lever	
11	Paper Duplex Guide	
12	Duplex GND Terminal	
13	Duplex Align Bracket	
14	Tapping Screw	
15	Dup Roll Idle Shaft	
16	Washer Silp PCT	
17	Idle Dup M Roller	
18	TS Spring	
19	Duplex Upper Guide	
20	Duplex Gasket	

Parts List 5.1 Tray 1

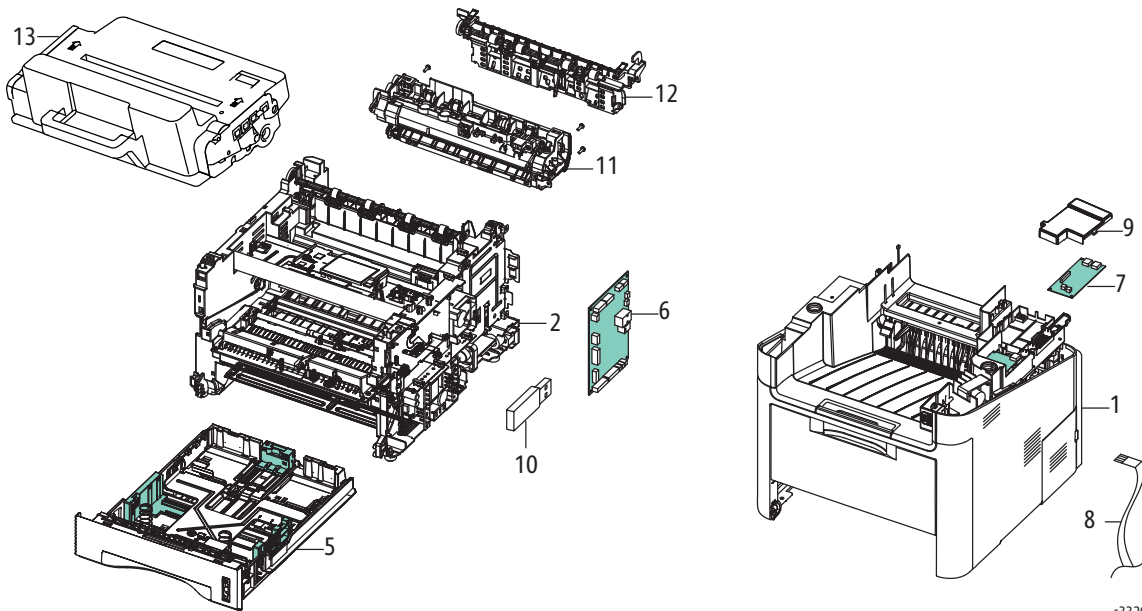
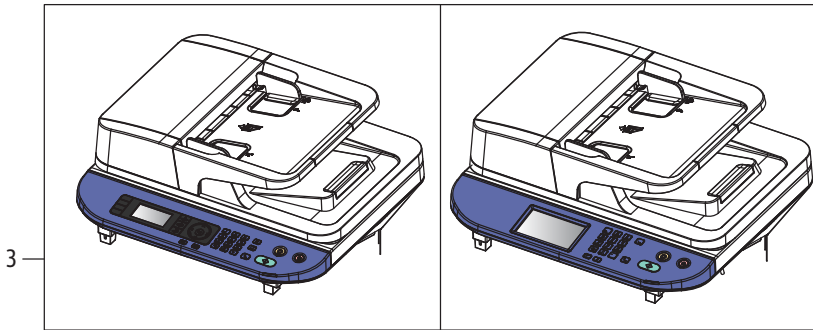
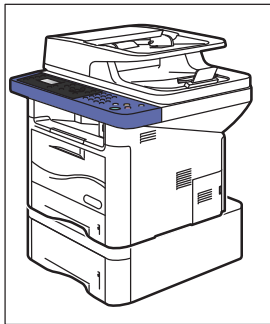


s3320-014

Parts List 5.1 Tray 1

Item	Name	Part Number
0	Cassette (Tray 1)	050N00650
2	Cassette Frame	
3	Locker Plate Spring ETC	
4	Pinion Gear	
5	Right Cassette Guide	
6	Right Side Guide	
7	Right Side Lever	
8	Right Side Stopper	
9	CS Spring	
10	Rear Guide Knob	
11	Pad Spring ETC	
12	F/UP Idle Shaft IEX	
13	Left Guide Cassette	
14	Left Side Guide	
15	F/UP Idle Shaft IEX	
16	Paper Indicator	
17	Cassette Locker	
18	CS Spring	
19	Cassette Ground	
20	Knock Up Plate P	
21	Cassette Pad RPR (Base Plate Pad)	050N00646
22	CS Spring	
23	Retard Roller Cassette	050N00649
24	Torque Limiter Coupler	
25	TL Rubber	
26	Retard Shaft Holder	
27	CS Spring	
28	Cassette Cover	
29	Retard Sheet	
30	Cassette Sheet	
31	Rear Guide Cassette	
32	Rear Paper Guide	
33	Right Guide Locker	
34	Left Guide Locker	
35	Slide Guide Locker	
36	Rear Guide Lever	
37	Upper Rear Adjust	
38	Lower Rear Adjust	
39	Rear Adjust Locker	
40	Lock Guide Support	
41	Guide Rear Knob	
42	CS Spring	
43	Pad Spring ETC	
44	Cassette Handle	
45	Bottom CST Absorber	
46	Printing Caution Label	

Parts List 6.1 WorkCentre 3315/3325 Main

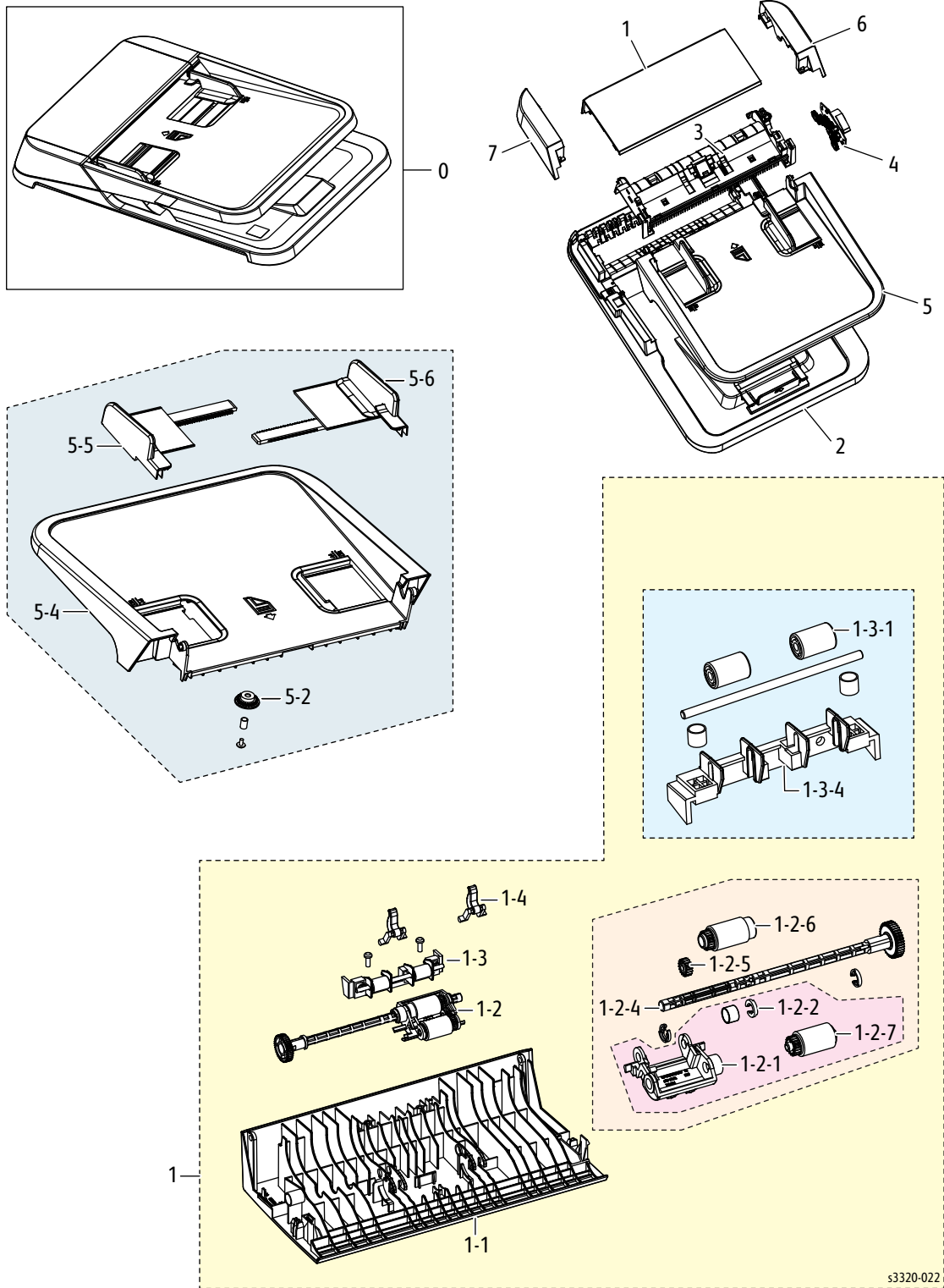


s3320-016

PL 6.1 WorkCentre 3315/3325 Main

Item	Name	Part Number
0	WorkCentre 3315, 4 in 1 ADF	See Parts List 7.1 WorkCentre 3315 ADF (1/2)
0	WorkCentre 3325DN 4 in 1 DADF	See Parts List 8.1 WorkCentre 3325 DADF Platen
0	WorkCentre 3325DNI 4 in 1 DADF	See Parts List 8.1 WorkCentre 3325 DADF Platen
1	Cover	
2	Frame Main	
3	ADF/DADF	
4	-	
5	Cassette	050N00650
6	Phaser 3320, Main Board	140N63636
	WorkCentre 3315, Main Board	140N63643
	WorkCentre 3325DNI, Main Board	140N63635
7	PBA SUB-Modem (Fax Board)	140N63646
8	Modem Cable (Modem Interface Cable)	117N01937
9	Cover-H Fax Board	
10	Memory Card	See Options
11	Fuser (110V)	126N00410
	Fuser (220V)	126N00411
12	Frame-Rear	
13	Print Cartridge	See Consumables and Maintenance Items

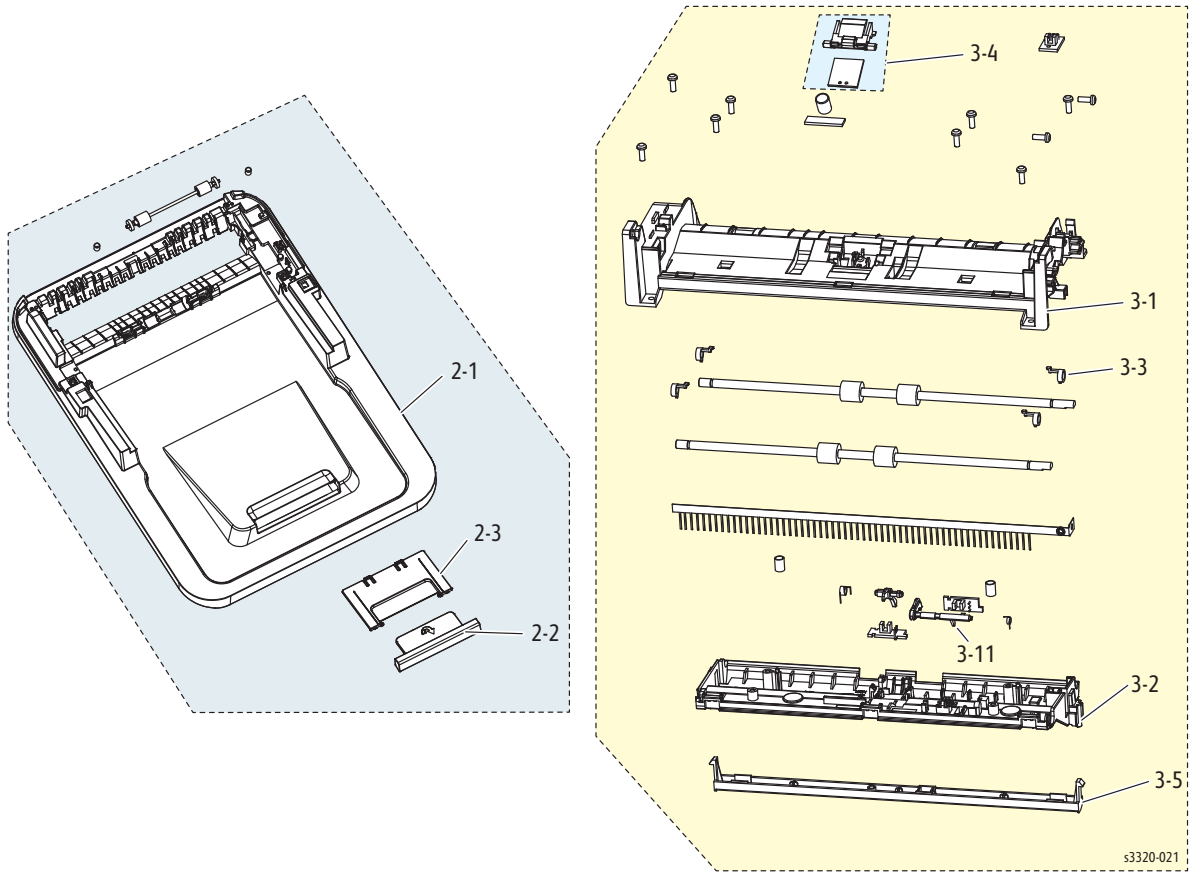
Parts List 7.1 WorkCentre 3315 ADF (1/2)



Parts List 7.1 ADF (1/2)

Item	Name	Part Number
0	ADF	022N02680
1	ADF Top Cover	
1.1	Cover ADF CSP	
1.2	Pick Up Module	
1.2.1	Pick Up Housing CSP (with 1,2,7)	130N01672
1.2.2	Chess Ring CSP	
1.2.4	Gear Drive Pick CSP	
1.2.5	Idle Gear Pick CSP	
1.2.6	Gear Separate Roller CSP	130N01673
1.3	Idle Roller Module	
1.3.1	Roller Idle CSP	
1.3.4	Frame Idle Unit CSP	
1.4	Stopper Paper CSP	
2	ADF Base Frame	See page 5-43
2.1	Cover Platen CSP	See page 5-43
2.2	Stopper Output CSP	See page 5-43
2.3	Slide Stopper CSP	See page 5-43
3	Paper Path Assembly	See page 5-43
4	ADF Motor	127N07781
5	Input Tray	
5.2	Pinion Gear CSP	
5.4	Stacker CSP	
5.5	Rear Edge Guide CSP	
5.6	Front Edge Guide CSP	
6	Rear ADF Cover CSP	
7	Front ADF Cover CSP	

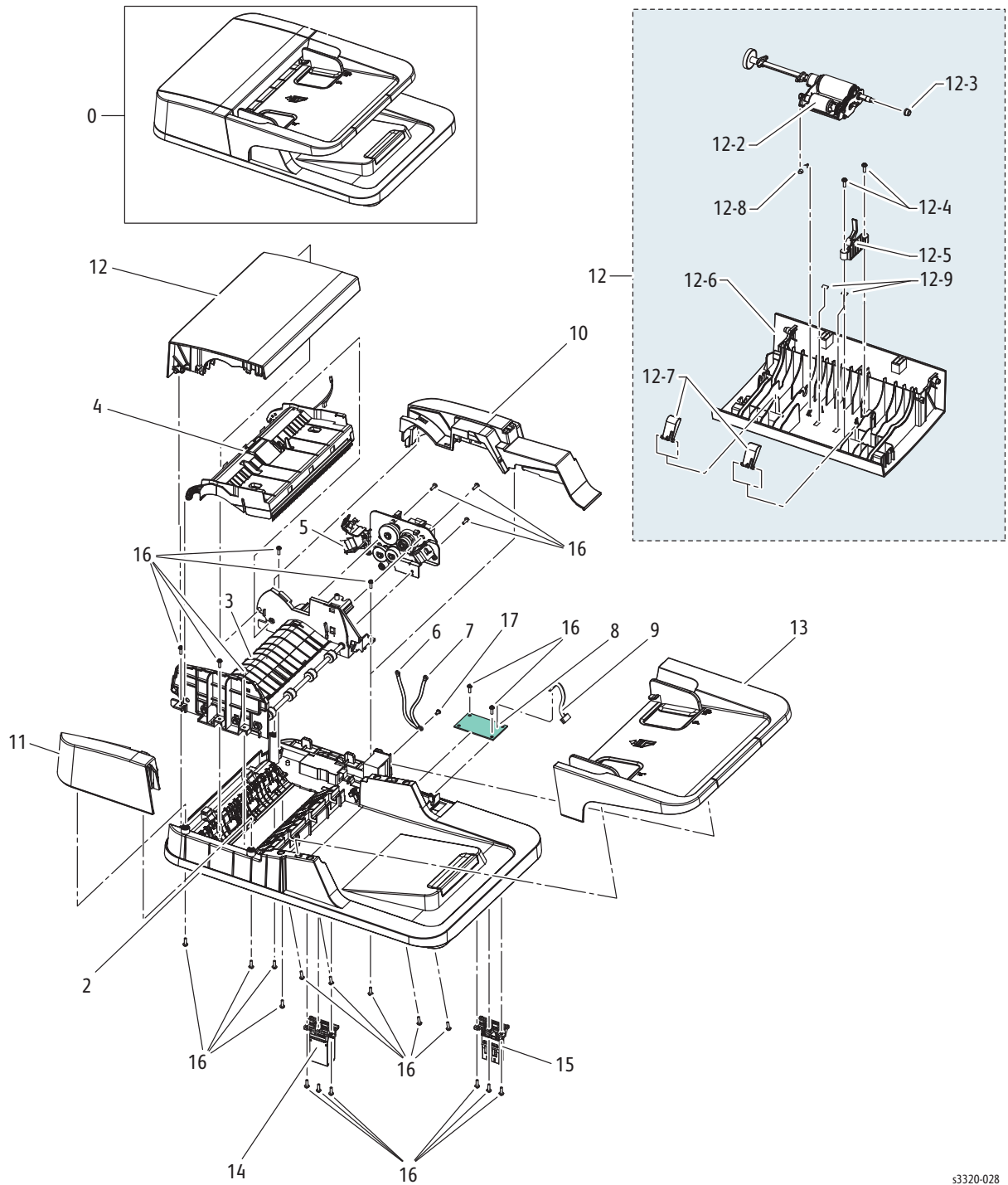
Parts List 7.1 WorkCentre 3315 ADF (2/2)



Parts List 7.1 ADF (2/2)

Item	Name	Part Number
2	ADF Base Frame	
2.1	Cover Platen CSP	
2.2	Stopper Output CSP	
2.3	Slide Stopper CSP	
3	Paper Path Assembly	
3.1	Up Guide Document Frame	
3.2	Down Guide Document Frame	
3.3	Reynard Bearing CSP	
3.4	Rubber Pad Assembly	019N01078
3.5	White Bar CSP	025N00104
3.11	Position Paper Actuator CSP	

Parts List 8.1 WorkCentre 3325 DADF Platen

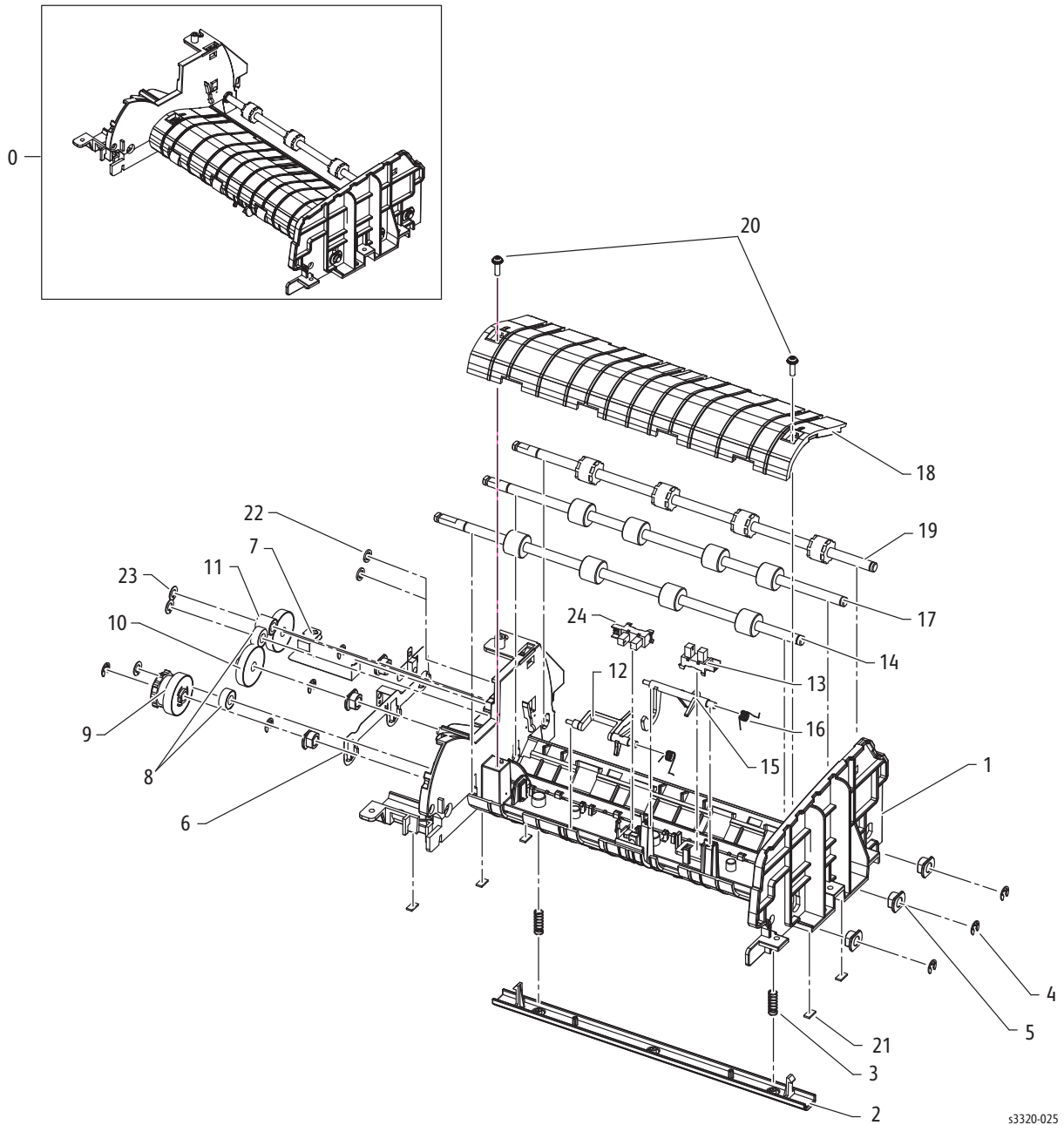


s3320-028

Parts List 8.1 WorkCentre 3325 DADF Platen

Item	Name	Part Number
0	DADF	022N02682
2	Platen DADF	
3	Lower DADF	
4	Upper DADF	
5	DADF Drive	007N01712
6	GND1 CBF Harness	
7	Zener GND CBF Harness	
8	DADF PBA (DADF Board)	140N63301
9	DADF Harness	
10	DADF Rear Cover	
11	DADF Front Cover	
12	DADF Open Cover	002N03064
12.2	DADF Up Pick MEA Unit (Sep Pad see PL#8.3)	130N01533
12.3	Bush PMO	
12.4	Tapttype Screw	
12.5	Stopper MEA Unit	
12.6	Open Cover	
12.7	Sensor M DOC Guide	
12.8	Pick Up Spring ETC	
12.9	Upper DADF Damper	
13	DADF Stacker	
14	DADF Hinge MEA Unit	
15	Hinge Unit MEA	
16	Tapttype Screw	
17	Machine Screw	

Parts List 8.2 WorkCentre 3325 Lower DADF

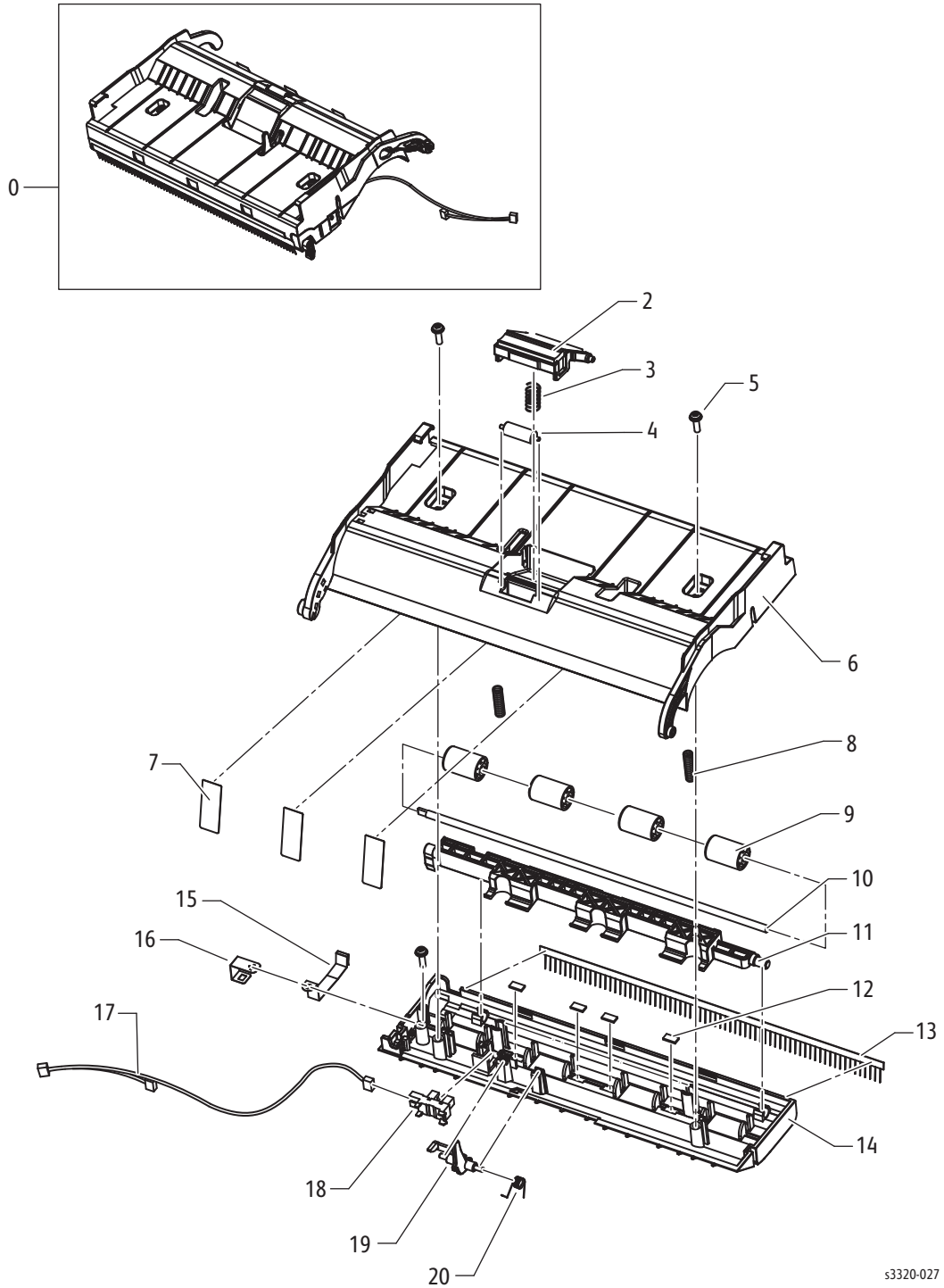


s3320-025

Parts List 8.2 WorkCentre 3325 Lower DADF

Item	Name	Part Number
0	Lower DADF	
1	DADF Lower Cover	
2	White Bar Plate	025N00105
3	P/UP Separate ETC Spring	
4	E Ring	
5	6 D Bush	
6	Exit Feed Ground	
7	DADF Ground	
8	D Idle Feed Gear	
9	Feed Gear MEA	
10	Exit Gear	
11	C Idle Feed Gear	
12	Feed Actuator	
13	DADF Registration Sensor	
14	Feed Roller	022N02681
15	Regi Actuator	
16	Doc Torsion Etc Spring	
17	Middle Roller	
18	DADF Middle Roller	
19	Exit Roller	
20	Tatype Screw	
21	Upper DADF Damper	
22	CS Ring	
23	Plain Washer	
24	DADF Feed Sensor	

Parts List 8.3 WorkCentre 3325 Upper DADF

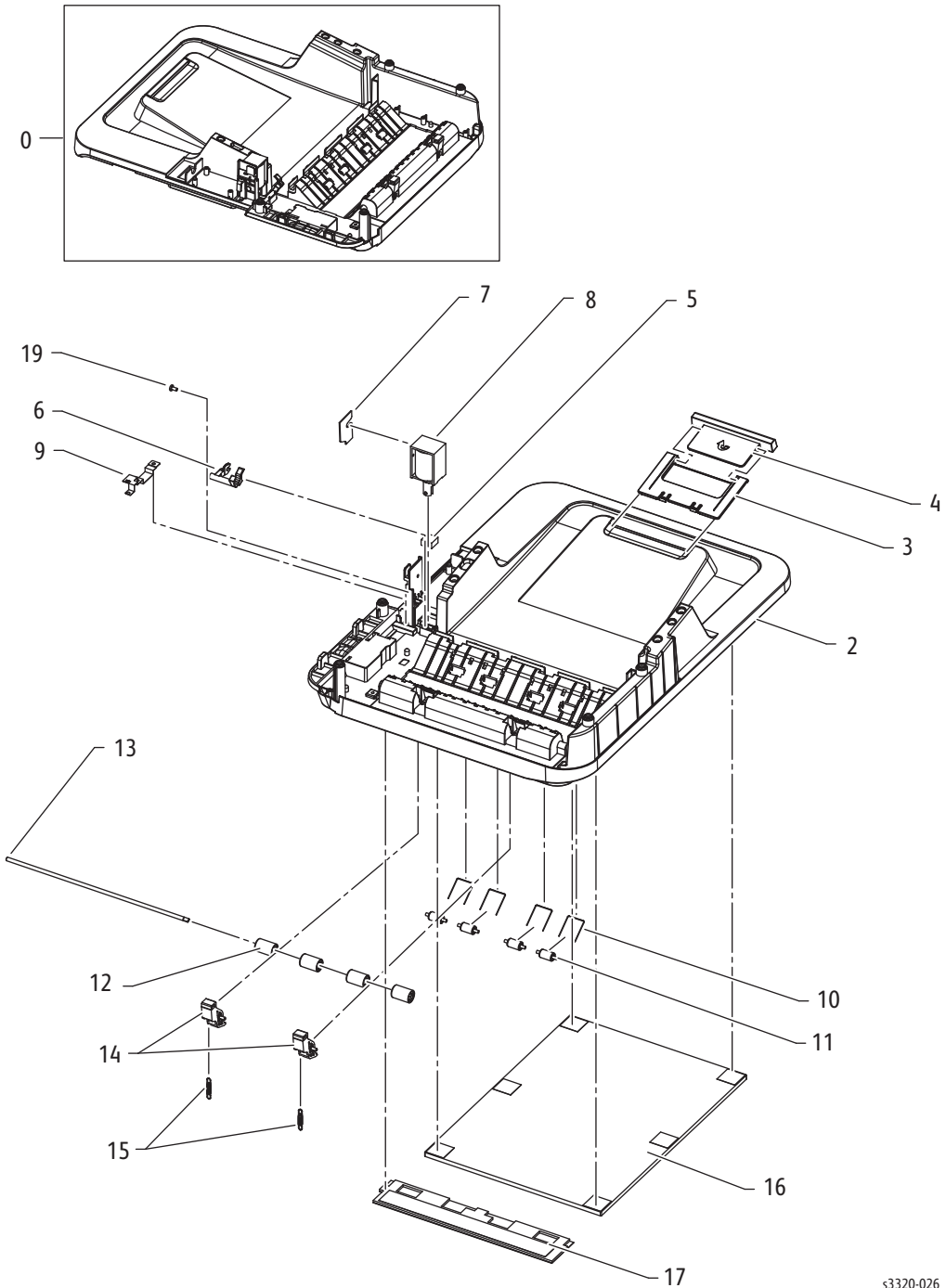


s3320-027

Parts List 8.3 WorkCentre 3325 Upper DADF

Item	Name	Part Number
0	Upper DADF	
2	Rubber DADF MEA Unit (Separator Pad)	003N01042
3	Pad ETC Spring	
4	Idle ADF M Roller	
5	Taptype Screw	
6	Top DADF Upper Cover	
7	Path Sheet	
8	Exit ETC Spring	
9	SCF M Idle Roller	
10	Idle Feed Shaft	
11	Lifting Idle Holder	
12	Upper DADF Damper	
13	Antistatic Brush MEC	
14	BT DADF Upper Cover	
15	Ground Brush	
16	Upper DADF Ground	
17	DADF Sensor 2 Harness	
18	Paper Empty Sensor	
19	Paper Empty Actuator	
20	Torsion Doc (CC2-F) Sprint ETC	
21	Scan GND CBF Harness	

Parts List 8.4 WorkCentre 3325 Platen DADF

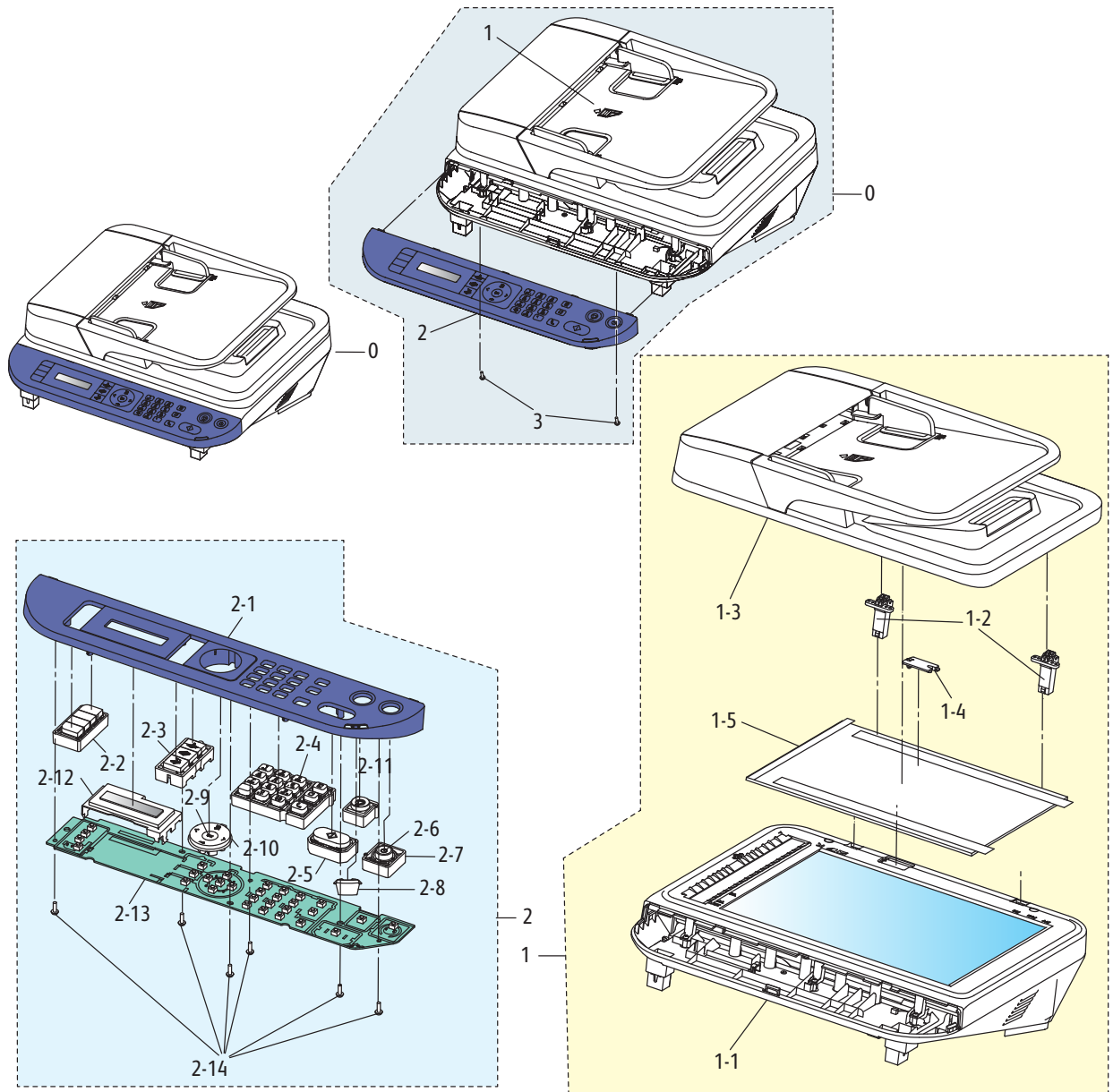


s3320-026

Parts List 8.4 WorkCentre 3325 Platen DADF

Item	Name	Part Number
0	Platen DADF	
2	Platen Cover	
3	Extension L Guide	
4	Extension S Guide	
5	Lifting DADF Sponge	
6	Lifting Exit Lever	
7	Solenoid Pad	
8	Lifting Solenoid	121N01160
9	Platen Ground	
10	Idle Mid ETC Spring	
11	Idle Roller	
12	SCF M Idle Roller	
13	Idle Feed Shaft	
14	Jam Feed Lever	
15	ES Spring	
16	Sponge White Sheet (3315)	055N00320
17	Platen DADF Sponge	
18	Platen Damper	
19	Machine Screw	

Parts List 9.1 WorkCentre 3315 Scanner and ADF

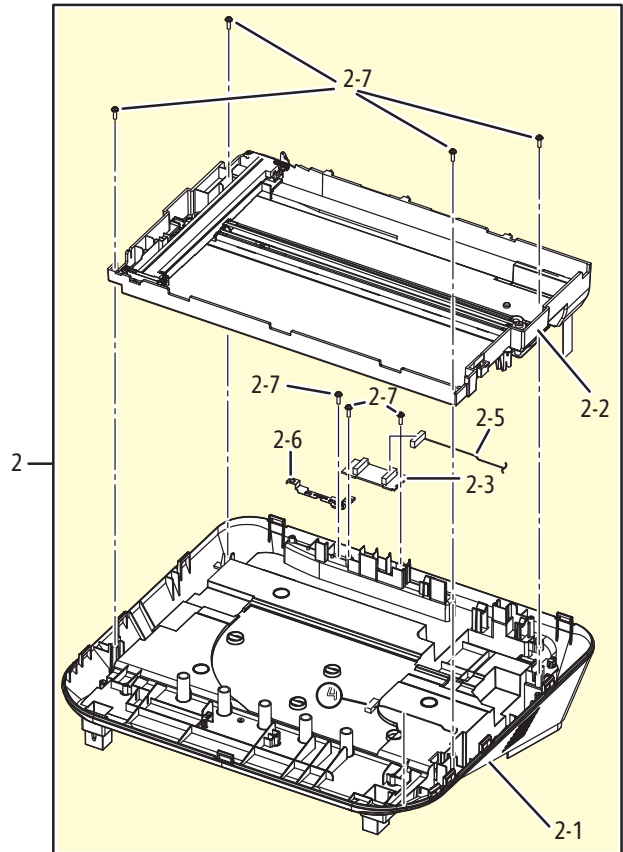
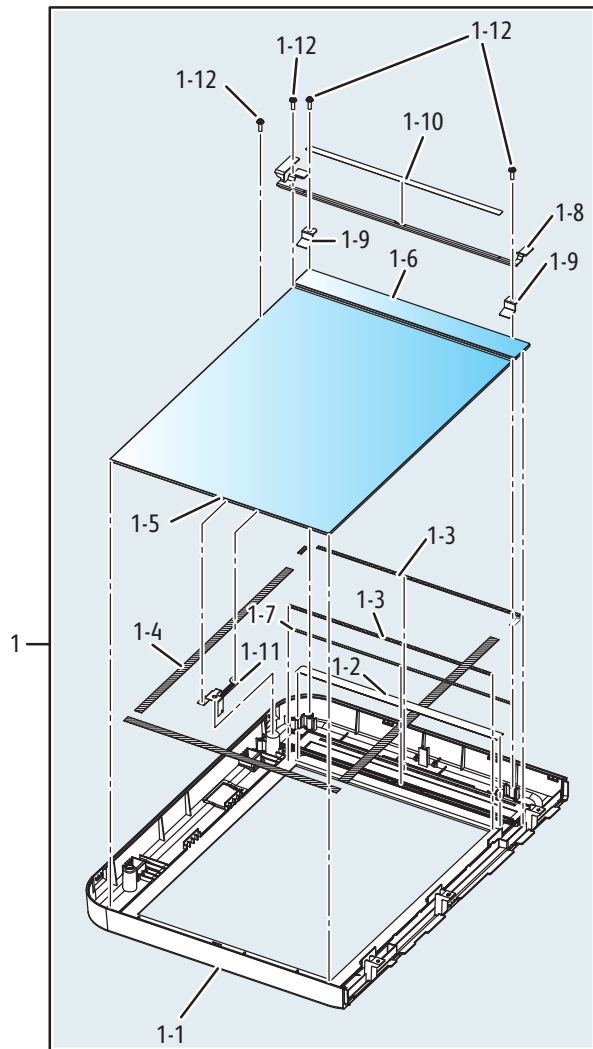
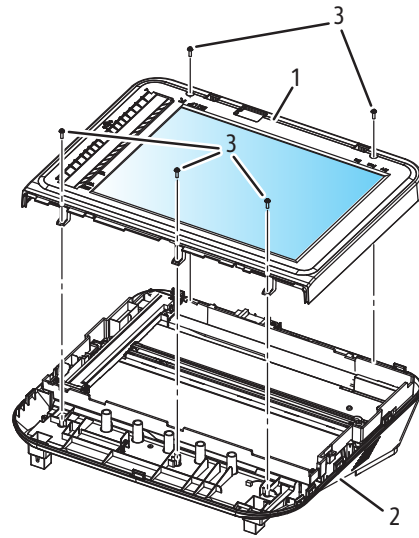
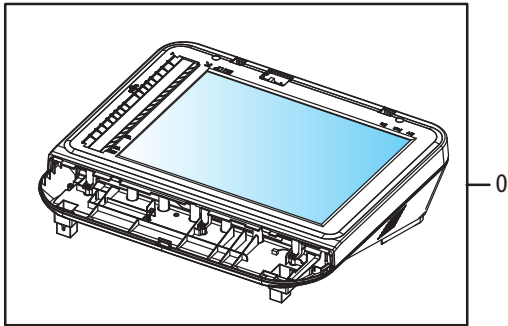


53320-029

Parts List 9.1 WorkCentre 3315 Scanner and ADF

Item	Name	Part Number
0	MFA	
1	Scanner	
1.1	Platen	
1.2	L Hinge MEA Unit	003N0112
1.3	ADF	
1.4	Connector Cover	
1.5	White Sheet	055N00320
2	Control Panel Assembly	
2.1	Control Panel Cover Outside Inside (110V) Inside (220V)	101N01467 101N01461 101N01462
2.2	Function Key	
2.3	FAX Key	
2.4	Numerical Key	
2.5	Start Key	
2.6	Power Key	
2.7	Power B Key	
2.8	Status Lens	
2.9	OK Key	
2.10	Menu Key	
2.11	Stop Key	
2.12	LCD Cover	
2.13	Control Panel Board	140N63642
2.14	Taptype Screw	
3	Taptype Screw	

Parts List 9.2 WorkCentre 3315 Platen

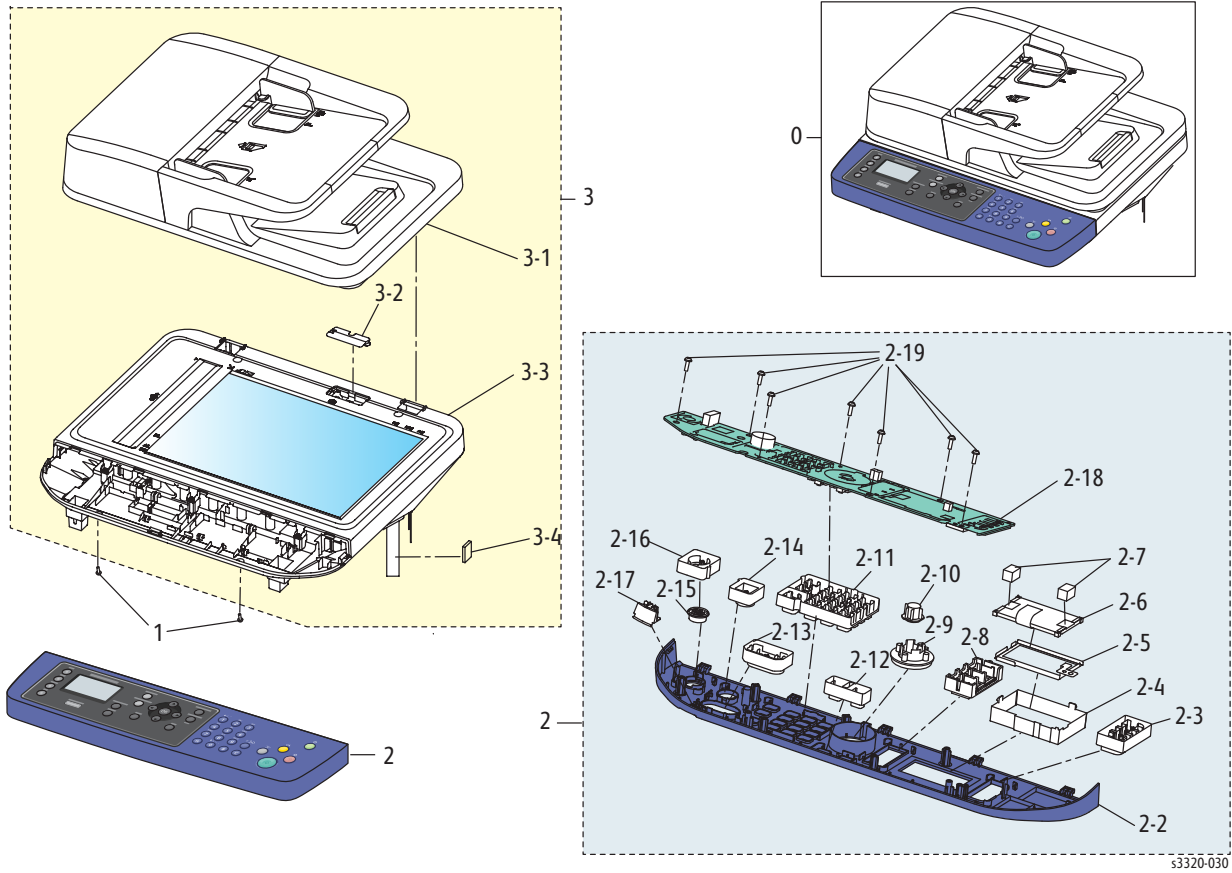


63320-033


Parts List 9.2 WorkCentre 3315 Platen

Item	Name	Part Number
0	Platen	090N00173
1	Upper Platen	090N00171
1.1	Upper Scan Cover	
1.2	Shading Sheet	
1.3	Double Face Tape	
1.4	Double Face Tape	
1.5	Platen Glass	
1.6	ADF Glass	
1.7	Double Face Tape	
1.8	Scan Bracket	
1.9	Glass Holder IPR	
1.10	Glass ADF Sheet	
1.11	Upper Scan Ground	
1.12	Taptype Screw	
2	Lower Platen {Scanner Works}	090N00174
2.1	Lower Scan Cover	
2.2	A4 Middle Platen	090N00172
2.3	ADF PBA (ADF Board)	140N63641
2.4	OPE Harness	
2.5	Joint ADF Harness	
2.6	B Lower Scan Ground	
2.7	Taptype Screw	
3	Taptype Screw	

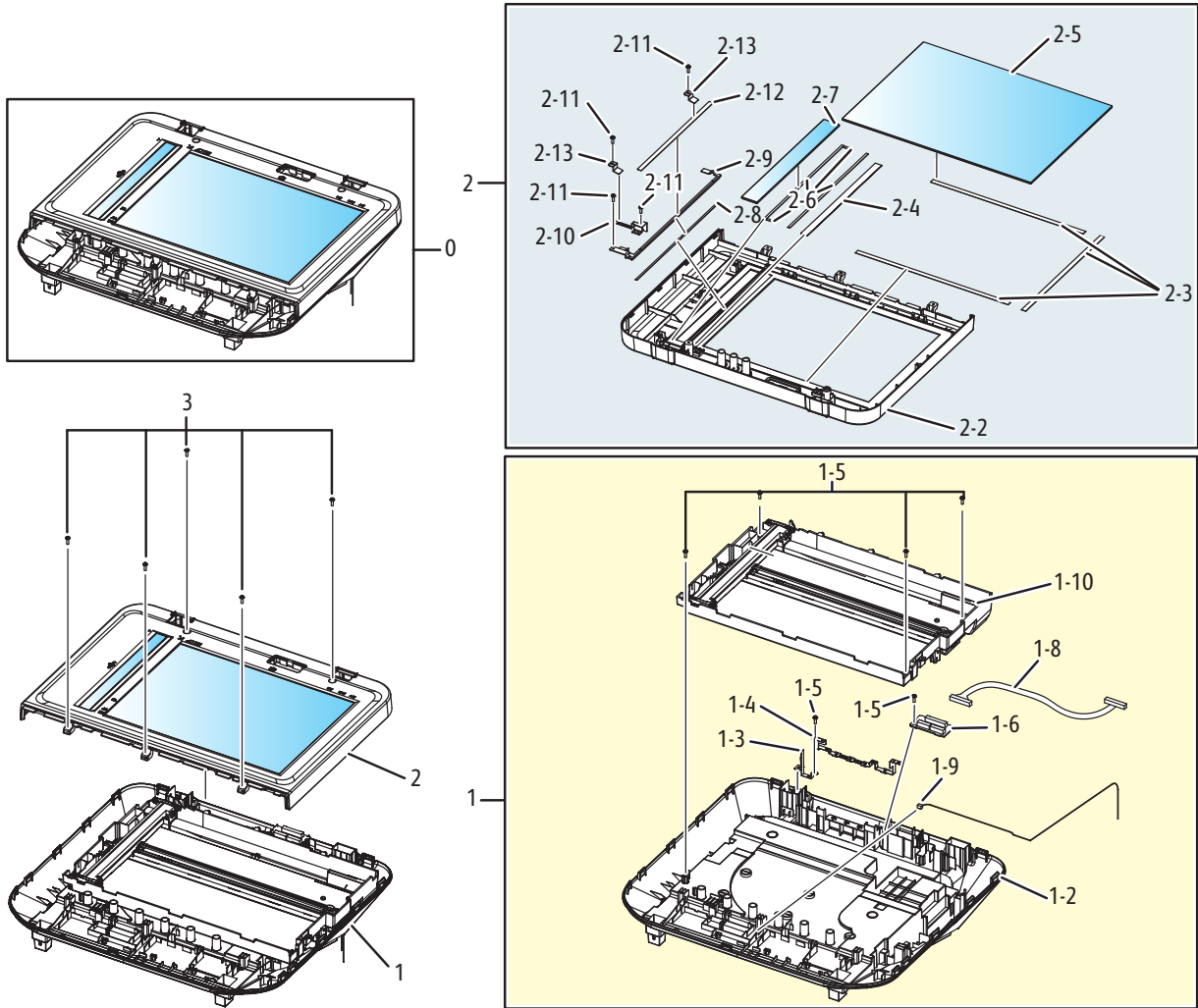
Parts List 10.1 WorkCentre 3325 Control Panel



Parts List 10.1 WorkCentre 3325 Scanner

Item	Name	Part Number
0	MFA	
1	Taptype Screw	
2	Control Panel	
2.2	Control Panel Cover (Outside)	101N01469
	WorkCentre 3325DN Control Panel Cover	
	110V (Inside)	101N01468
	220V (Inside)	002N03065
	WorkCentre 3325DNI Control Panel Cover	
	110V (Inside)	101N01463
	220V (Inside)	101N01464
2.3	Function Key	
2.4	LCD Holder	
2.5	LCD Bracket	
2.6	LCD	123N00264 
2.7	LCD Sponge	
2.8	Fax Key	
2.9	Circle Key	
2.10	OK Key	
2.11	Numerical Key	
2.12	Back Key	
2.13	Start Key	
2.14	Stop Key	
2.15	Power Key	
2.16	Power B Key	
2.17	4 Line Status Lens	
2.18	Control Panel Board	140N63634
2.19	Taptype Screw	
3	Scanner	
3.1	DADF	
3.2	Connector Cover	
3.3	Platen	

Parts List 10.2 WorkCentre 3325 Platen

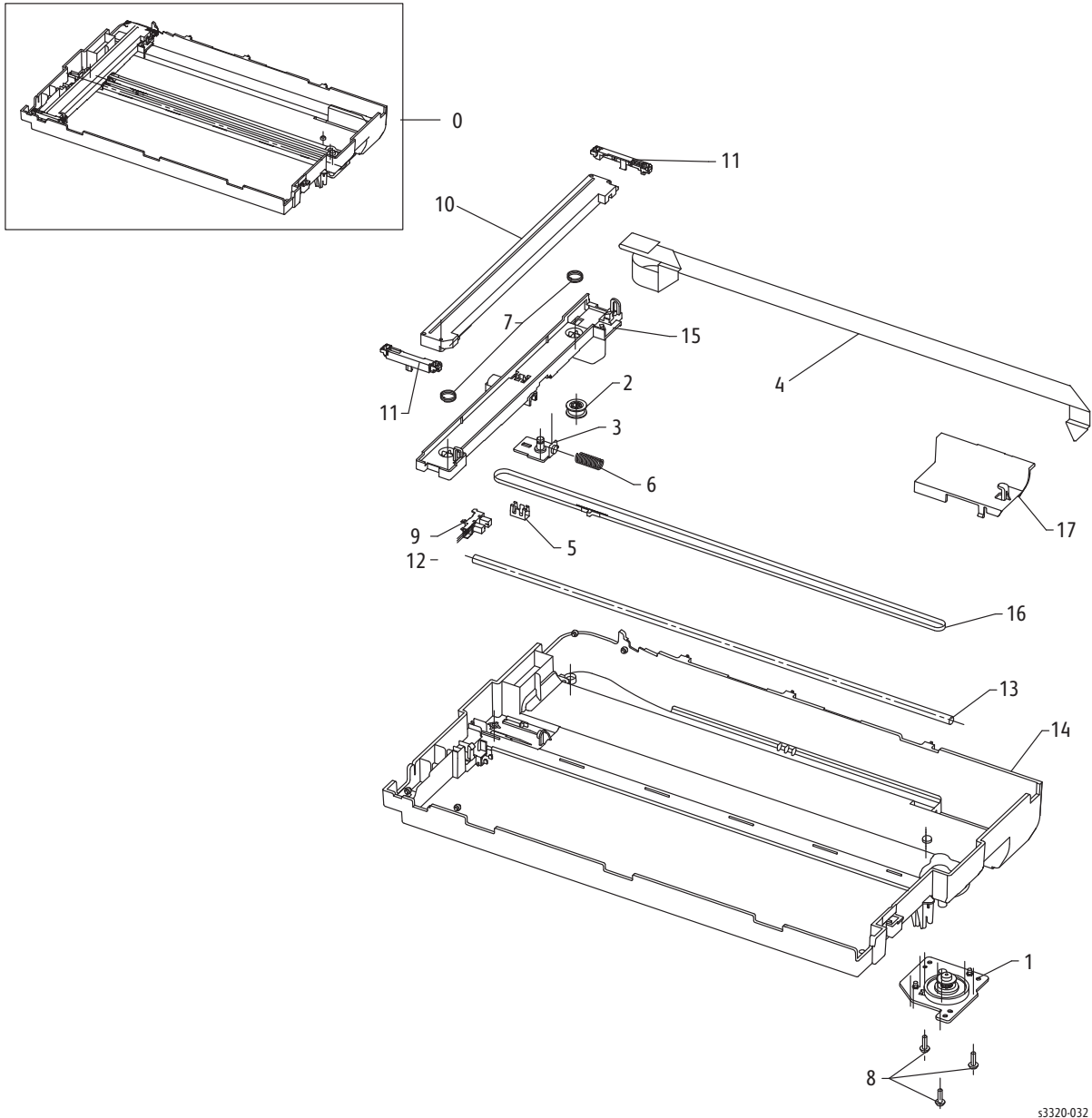


s3320-034

Parts List 10.2 WorkCentre 3325 Platen

Item	Name	Part Number
0	Platen	090N00178
1	Lower Platen {Scanner Works}	090N00176
1.2	Lower Scan Cover	
1.3	Ground Connection	
1.4	Lower Scan Ground	
1.5	Taptype Screw	
1.6	Joint PBA (LCD)	
1.8	Joint DADF Harness	
1.9	Control Panel Harness	
1.10	A4 Middle Platen	090N00177
2	Upper Platen	090N00175
2.2	Upper Scan Cover	
2.3	Double Face Tape	
2.4	Shading Sheet	
2.5	Platen Glass	
2.6	Double Face Tape	
2.7	ADF Glass	
2.8	Double Face Tape	
2.9	Scan Bracket	
2.10	Upper Scan Ground	
2.11	Taptype Screw	
2.12	ADF Glass Sheet	
2.13	Glass Holder IPR	
3	Taptype Screw	

Parts List 11.1 WorkCentre 3315/3325 Middle Platen

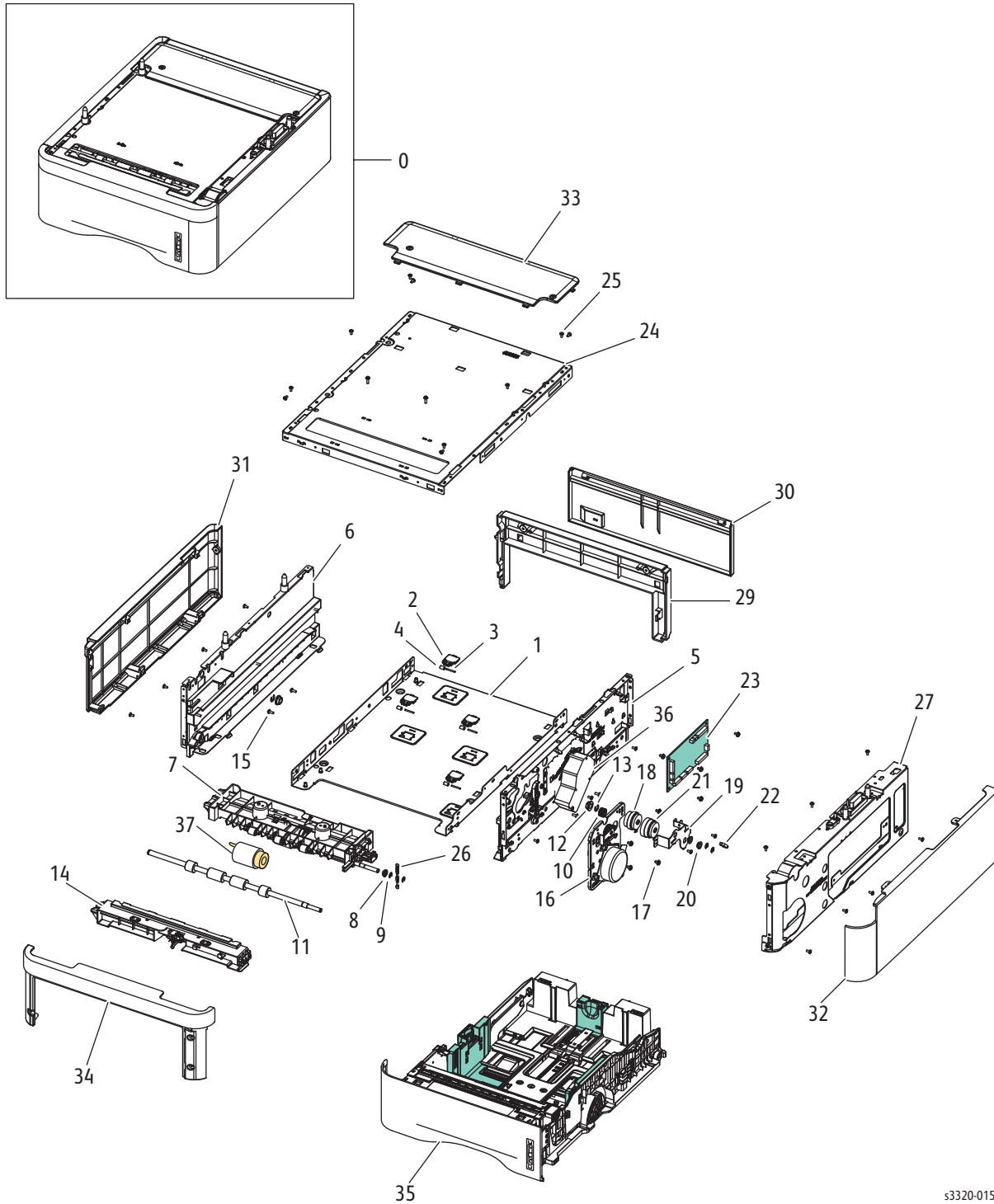


s3320-032

Parts List 11.1 WorkCentre 3315/3325 Middle Platen

Item	Name	Part Number
0	Middle Platen 3315 Middle Platen 3325	090N00172 090N00177
1	Scan Drive ELA Unit (Scan Motor)	007N01629
2	M Idle Pulley	
3	Pulley Scan Bracket	
4	Flat Cable	
5	Belt P Clip	
6	CS Spring	
7	CS Spring	
8	Taptype Screw	
9	Home Position Sensor	130N01601
10	Contact Image Sensor (WorkCentre 3315) Contact Image Sensor (WorkCentre 3325)	130N01667 130N01679
11	CIS Guide	
12	Home Scan Harness	
13	Scan Shaft	
14	Lower Scan Frame	
15	CIS Bracket	
16	Gear Timing Belt	007N01704
17	FFC Cover	

Parts List 12.1 Optional Cassette Tray 2



s3320-015

Parts List 12.1 Optional Cassette Tray 2

Item	Name	Part Number
0	Optional Tray (Drop Ship to Customer Not Service Part)	497N01412
1	Bottom Frame	
2	Roller CST Holder	
3	F/UP Idle Shaft IEX	
4	Bottom CST Roller	
5	Right Frame ELA Unit	
6	Left Frame ELA Unit	
7	Pick Up Unit A/S Assy	130N01674
8	D6/L4 Bush	
9	E Ring	
10	Up Pick Drv Gear	
11	Regi Roller SCF CSP	
12	8/5 Bush	
13	E (ID5) Ring	
14	Feed Unit Con A/S	
15	Tapping Screw (M3XL8)	
16	Drive Unit A/S Assy	007N01666
17	Hex Screw (M3XL6)	
18	Electric Clutch	121N01219
19	Regi (M) Clutch Brkt SCF CSP	
20	D6/L4 Bush	
21	Electric Clutch	121N01220
22	Cable Clamp	
23	Main SCF PBA A/S Assy (Optional Tray Feeder Board)	140N63640
24	Top Frame	
25	Tapttype Screw (M3XL6)	
26	ES Spring	
27	Dummy Right MEA Unit	
28	Tapping Screw (M3XL8)	
29	Dummy Rear Cover	
30	Cassette Cover	
31	Left Cover CSP	002N03061
32	Right Cover CSP	002N03062
33	Top Dummy Cover CSP	002N03060
34	Front Dummy Cover CSP	002N03063
35	Cassette A/S Assy	050N00647
36	AS Unit Lift	120N00537
37	Unit Pick up Roller	002N02232

Xerox Supplies and Accessories

Consumables and Maintenance Items

Description	Part Number
Fuser 110V	126N00410
Fuser 220V	126N00411
Feed Roller	022N02673
Xerox/North America Print Cartridges	
Phaser 3320 Standard-Capacity	106R02305
Phaser 3320 High-Capacity	106R02307
WorkCentre 3315 Standard-Capacity	106R02309
WorkCentre 3315 High-Capacity	106R02311
WorkCentre 3325 Standard-Capacity	106R02311
WorkCentre 3325 High-Capacity	106R02313
Xerox DMO Print Cartridges	
Phaser 3320 Standard-Capacity	106R02304
Phaser 3320 High-Capacity	106R02306
WorkCentre 3315 Standard-Capacity	106R02308
WorkCentre 3315 High-Capacity	106R02310
WorkCentre 3325 Standard-Capacity	106R02310
WorkCentre 3325 High-Capacity	106R02312

Options

Description	Part Number
Optional 520-Sheet Paper Tray	497N01412
Memory Upgrade	
Phaser 3320 and WorkCentre 3315DN	098N02189
WorkCentre 3325	097N01878

Power Cords

Description	Part Number
Power Cord, 110V	105N02072
Power cord, 220V	117N01769