

brother[®]

**FACSIMILE EQUIPMENT
PARTS REFERENCE LIST**

**MODEL: MFC 3900ML / 4000ML
4500ML / 5500ML**

NOTES FOR USING THIS PARTS REFERENCE LIST

1. In the case of ordering parts, it needs mentioning the following items:

- (1) Code
- (2) Q'ty
- (3) Description

Note: No orders without Parts Code or Tool No. can be accepted.

[Example]

REF.NO.	CODE	Q'TY	DESCRIPTION	REMARKS

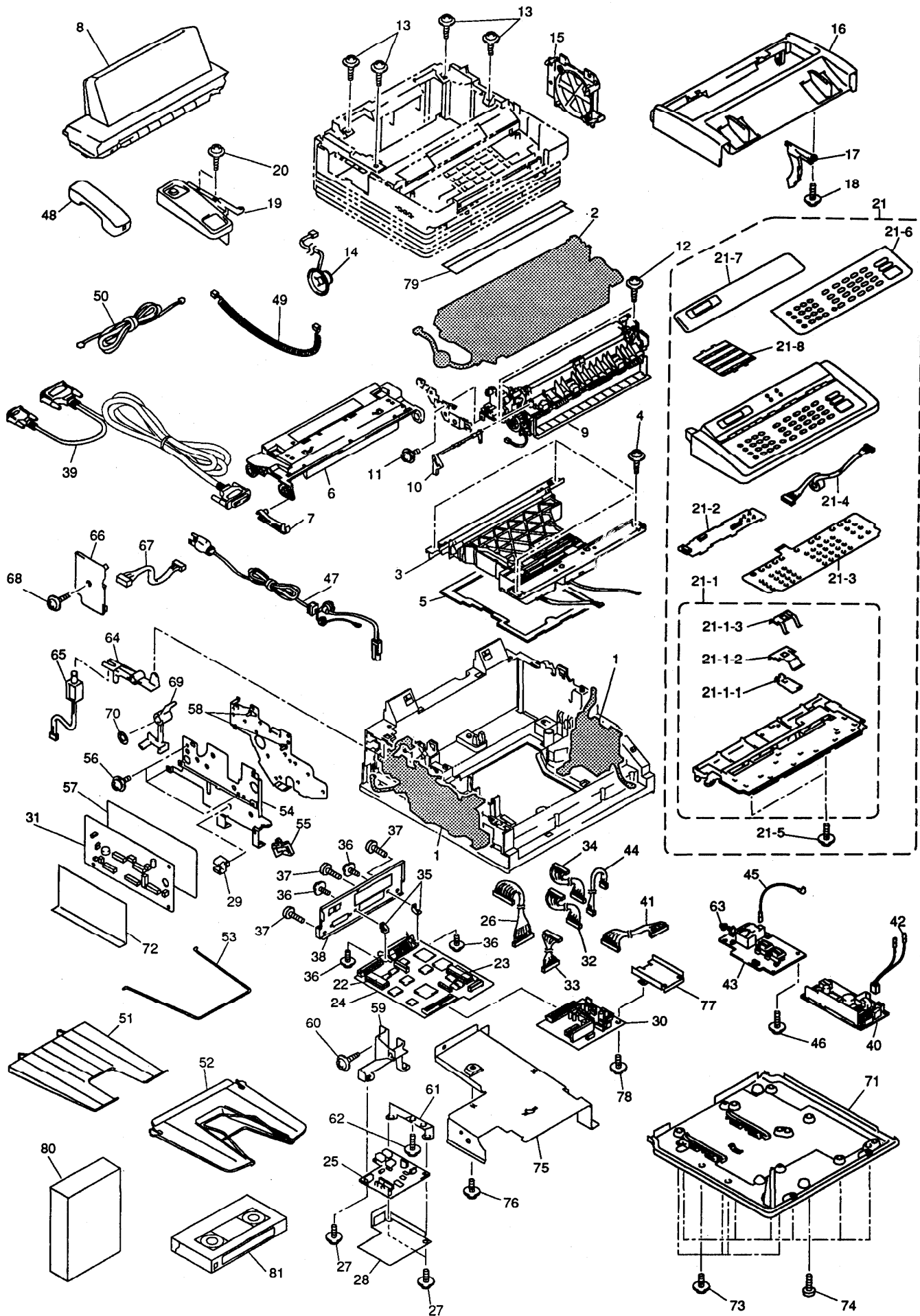
(1) (2) (3)

┆ ┆ ┆

┆ ┆ ┆

2. The original of this list was made based on the information available in February 15th 1995.

3. Parts are subject to change in design without previous notice.



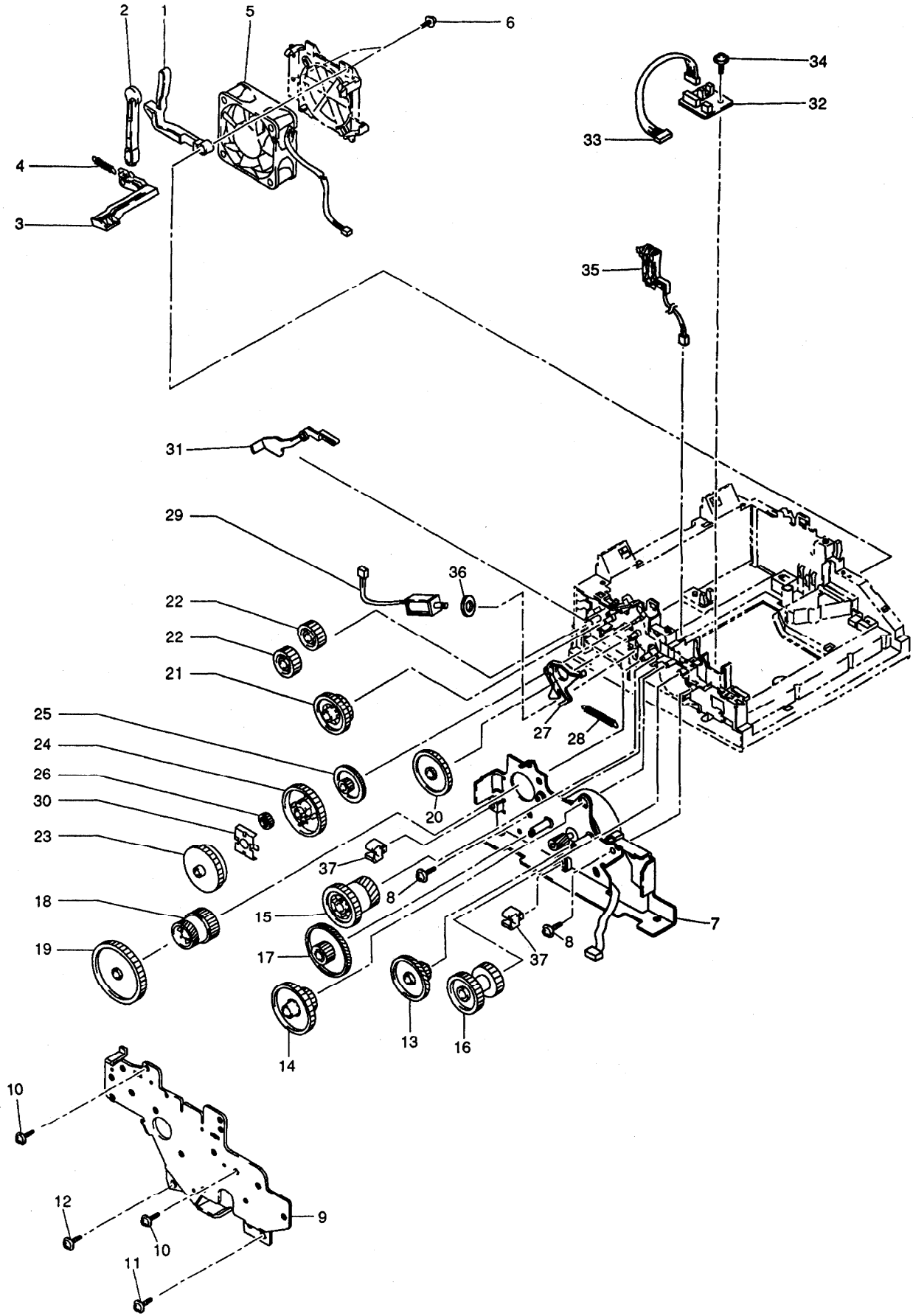
REF.NO.	CODE	QTY	DESCRIPTION	REMARKS
1			MAIN FRAME ATTACHMENT *REFER TO MAIN FRAME SECTION	
2			SCANNING FRAME * REFER TO SCANNING FRAME SECTION	
3	UL5535001	1	SCANNER UNIT	
4	085411015	4	TAPTITE, BIND B M4X10	
5	UL5134001	1	SPONGE	
6	UL5145001	1	UPPER SHOOT COVER ASSY	
7	UL5161000	1	RELEASE LINK	
8	UL6182001	1	MP TRAY MFC ASSY	
9	UL5801001	1	FIXING UNIT,120V	
10	UL5250001	1	PAPER EJECT ACTUATOR, BLACK	
11	087320616	1	TAPTITE, CUP S M3X6	
12	087411216	2	TAPTITE, CUP B M4X1 2	
13	087411216	4	TAPTITE, CUP B M4X12	
14	UL8036001	1	SPEAKER UNIT PPF	
15	UL5278004	1	FILTERCOVER ASSY, WHITE(1138)	
16	UL5684004	1	OPEN COVER ASSY, WHITE(1138)	
17	UL5688001	1	COVER STOPPER	
18	087311016	1	TAPTITE, CUP B M3X10	
19	UL5821004	1	HANDSET MOUNT, WHITE(1138)	
20	087311016	2	TAPTITE, CUP B M3X10	
21	UL6089001	1	CONTROL PANEL ASSY, WHITE(1138) FOR MFC3900ML	
21	UL6199001	1	CONTROL PANEL ASSY, WHITE(1138) FOR MFC4000ML	
21	UL6181001	1	CONTROL PANEL ASSY, WHITE(1138) FOR MFC4500ML	
21	UL6183001	1	CONTROL PANEL ASSY, WHITE(1138) FOR MFC5500ML	
21-1	UL6094001	1	PANEL REAR COVER ASSY	
21-1-1	UL5719000	1	SEPARATION RUBBER	
21-1-2	UL5720001	1	SPRING, PLATE ADF	
21-1-3	UL5721001	1	SPRING, PLATE F	
21-2	UL8128001	1	PANEL PCB ASSY	
21-3	UL5807001	1	FPC KEY	
21-4	UL8003001	1	PANEL-MAIN HARNESS	
21-5	087310815	2	TAPTITE, CUP B M3X8	
21-6	UL6120001	1	PANEL SHEET FOR MFC3900ML 4000ML 4500ML	
21-6	UL6159001	1	PANEL SHEET FOR MFC5500ML	
21-7	UL6088001	1	MFC SHEET FOR MFC3900ML	
21-7	UL6187001	1	MFC SHEET FOR MFC4000ML	
21-7	UL6119001	1	MFC SHEET FOR MFC4500ML	
21-7	UL6142001	1	MFC SHEET FOR MFC5500ML	
21-8	UL6123004	1	ADDRESS LABEL	
22	UL8221001	1	PROM: MFC/FX	
23	UL8271001	1	PROM: MFC/PR	
24	UL8357001	1	MAIN PCB SUBASSY, 4FORMFC3900ML	
24	UL8323001	1	MAIN PCB SUB ASSY, 3 FOR MFC4000ML	
24	UL8366001	1	MAIN PCB SUB ASSY, 1 FOR MFC4500ML	

REF.NO.	CODE	QTY	DESCRIPTION	REMARKS
24	UL8368001	1	MAIN PCB SUB ASSY, 2 FOR MFC5500ML	
25	UL8309001	1	NCUPCBASSY	
26	UL8277001	1	NCU-DRIVER HARNESS	
27	087320616	3	TAPTITE, CUPS M3X6	
28	UL6131001	1	INSULATOR, NCU	
29	UF0245000	1	MINICLAMP	
30	UL8310001	1	DRIVERPCBASSY	
31	UL8311001	1	RELAY PCBASSY	
32	UL8319001	1	RELAY-DRIVER HARNESS SA	
33	UL8321001	1	RELAY-DRIVER HARNESS PS	
34	UL8320001	1	RELAY-DRIVER HARNESS SB	
35	UL5091000	2	PCB ANGLE	
36	087320616	4	TAPTITE, CUP SM3X6	
37	000400606	3	SCREW, PAN BIND M4X6	
38	UL6192001	1	I/F SHIELD ASSY FOR MFC3900ML 4000ML	
38	UL6116001	1	I/F SHIELD ASSY FOR MFC4500ML 5500ML	
(38-1)	UL5081001	1	BLIND PLATE(OPTION)	
(38-2)	087320616	1	TAPTITE, CUP S M3X6 (FOR BLIND PLATE)	
39	UL8265001	1	SERIAL I/F CABLE FOR MFC4500ML 5500ML	
40	UL5539001	1	PS PCB ASSY, II 5V	
41	UK2212001	1	LV HARNESS P ASSY	
42	UL8074001	1	HEATER HARNESS ASSY	
43	UL5541001	1	HIGH-VOLTAGE PS ASSY	
44	UK2208001	1	HV HARNESS P ASSY	
45	UL8077001	1	GHG HARNESS ASSY	
46	085411015	1	TAPTITE, BIND BM4XIO	
47	UL8078001	1	ACCORD ASSY, US-X	
48	UF3379003	1	HANDSET, WHITE(1138)	
49	UL8019009	1	HANDSET CURLED CORD, WHITE(1255)	
50	UG1570001	1	TELEPHONE LINE CORD	
50	U88406001	1	TELEPHONE LINE CORD FOR CAN	
51	UL5702001	1	RECORDING PAPER EJECTION TRAY, SMOKE GRAY(1333)	
52	UL5701001	1	DOCUMENT EJECTION TRAY ASSY	
53	UL5214000	1	TRAY EXTENSION	
54	UL6113001	1	PCB SUPPORT ASSY	
55	UL5613000	1	WIRE SADDLE	
56	087320616	3	TAPTITE, CUPSM3X6	
57	UL6117001	1	INSULATION SHEET, M1	
58	UL5603000	2	CARD SPACER	
59	UL6111000	1	PCB SUPPORT, N3	
60	087411015	1	TAPTITE, CUP BM4XIO	
61	UL5605000	1	PCB SUPPORT, N2	
62	087411015	1	TAPTITE, CUP BM4XIO	
63	UL5086003	1	CONCENTRATION DIAL, GRAY (1 252)	
64	UL5088000	1	SOLENOID LEVER	
65	UL5090001	1	SOLENOID P ASSY	

REF.NO.	CODE	QTY	DESCRIPTION	REMARKS
66	UL8132001	1	PE SENSOR PCB ASSY	
67	UL8215001	1	PE SENSOR HARNESS	
68	087310815	1	TAPTITE, CUP B M3X8	
69	UL5607001	1	PE SENSOR LEVER	
70	UF0250000	1	NUT M3	
71	UL6108001	1	LOWER PLATE ASSY	
72	UL5612001	1	HARNESS PROTECT SHEET	
73	087320616	5	TAPTITE, CUP SM3X6	
74	085411015	7	TAPTITE, BIND BM4X10	
75	UL6082000	1	I/F SHIELD PLATE	
76	087411015	2	TAPTITE, CUP BM4X10	
77	UL6112000	1	PCB SUPPORT D	
78	087310815	1	TAPTITE, CUP BM3X8	
79	UL5695001	1	PAPER PRESSURE FILM	
80	UL6090001	1	MANUAL HOLDER FOR MFC3900ML 4000ML	
80	UL6184001	1	MANUAL HOLDER FOR MFC4500ML 5500ML	
81	UL6186001	1	VIDEOTAPE	
(82)	UL6081001	1	FLOPPY DISK CASE ASSY FOR MFC3900ML 4000ML (INCLUDE DRIVER FLOPPY DISK 1, SETUP MANUAL, ENGLISH & REMOTE CONTROL GUIDE, ENGLISH)	
(82)	UL6074001	1	FLOPPY DISK CASE ASSY FOR MFC4500ML 5500ML (INCLUDE DRIVER FLOPPY DISK 1, FLOPPY DISK (X4), SET UP MANUAL, ENGLISH & REMOTE CONTROL GUIDE, ENGLISH)	
(83)	UL6091001	1	FCC-CD RH LABEL FOR MFC3900ML 4000ML	
(83)	UL6129001	1	FCC-CD RH LABEL FOR MFC4500ML 5500ML	
(84)	UF4687001	1	ISC-RN LABEL FOR CAN	
(85)	UL5738001	1	R-PAPER SETTING LABEL	
(86)	UL5277001	1	SET LABEL	
(87)	UH0741001	1	CLASS I LABEL FOR CAN	
(88)	UL6168001	1	SET UP MANUAL, FRENCH FOR CAN	
(89)	UL6148001	1	OPERATION MANUAL FOR FAX, PRINTER & COPIER, ENGLISH	
(89)	UL6177001	1	OPERATION MANUAL FOR FAX, PRINTER & COPIER, FRENCH FOR CAN	
(90)	UL6176001	1	OPERATION MANUAL FOR SCANNER & FAX MODEM, ENGLISH, 4500ML 5500ML	
(90)	UL6179001	1	OPERATION MANUAL FOR SCANNER & FAX MODEM, FRENCH FOR CAN, 4500ML/5500ML	
(91)	UF4644001	1	WARRANTY CARD	
(91)	U88457001	1	WARRANTY CARD, ENGLISH FOR CAN	
(91)	U88458001	1	WARRANTY CARD, FRENCH FOR CAN	
(92)	UF3423001	1	TEST PATTERN SHEET	
(92)	UF4628001	1	TEST PATTERN SHEET FOR CAN	
(93)	UL6169001	1	QUICK REFERENCE GUIDE, ENGLISH	

REF.NO.	CODE	QTY	DESCRIPTION	REMARKS
(93)	UL6170001	1	QUICK REFERENCE GUIDE, FRENCH FOR CAN	
(94)	UL5839001	1	REMOTE CONTROL GUIDE, FRENCH FOR CAN	
(95)	UE2037001	1	CARTON, BROTHER, 3900ML	
(95)	UE2030001	1	CARTON, BROTHER, 4000ML	
(95)	UE2006001	1	CARTON, BROTHER, 4500ML	
(95)	UE2007001	1	CARTON, BROTHER, 4500ML FOR CAN	
(95)	UE2010001	1	CARTON, BROTHER, 5500ML	
(95)	UE2011001	1	CARTON, BROTHER, 5500ML FOR CAN	
(96)	UE0288001	1	SF ASSY X5-10	
(97)	UF0443001	1	PROTECTION PAPER	

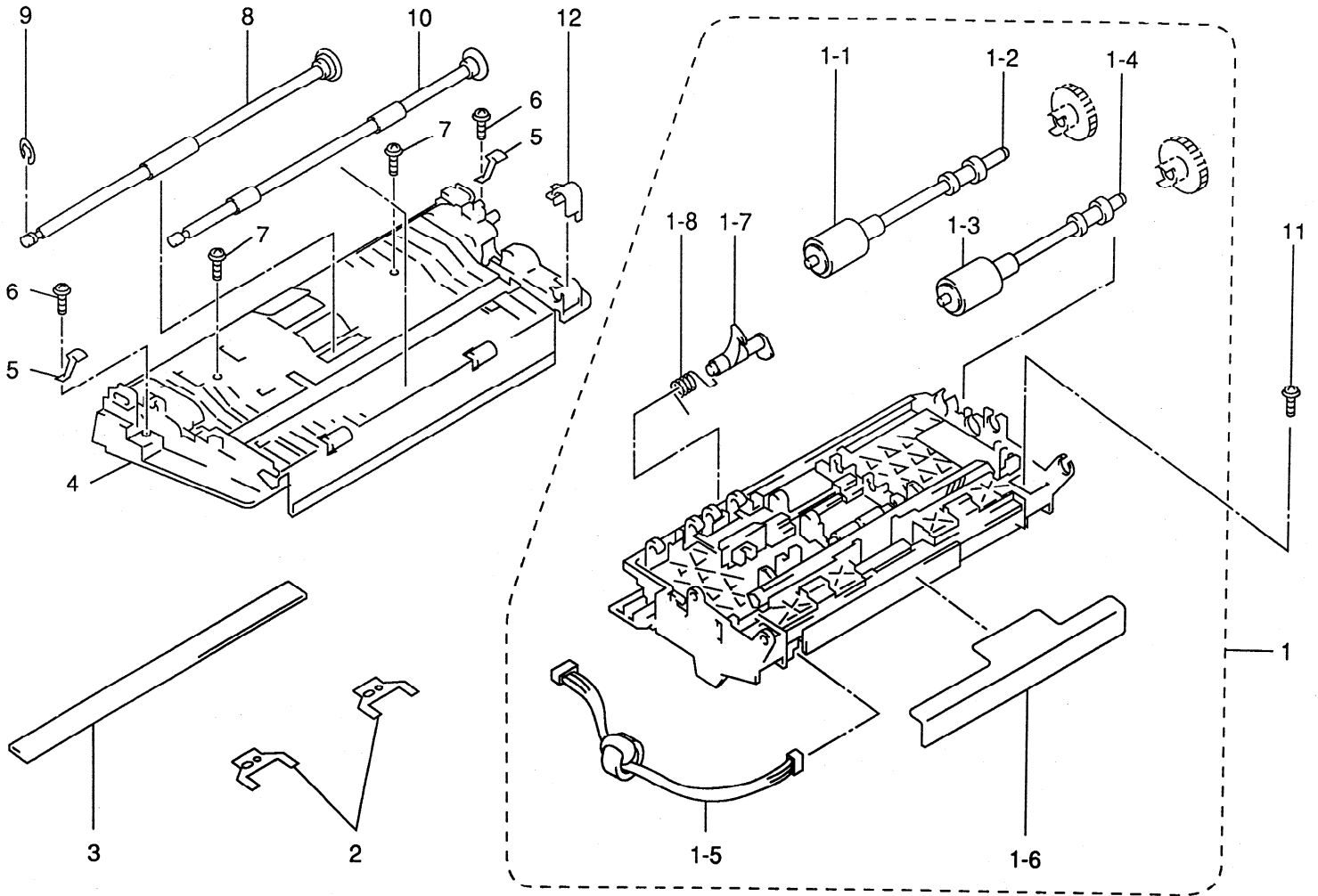
1 . MAIN FRAME ATTACHEMENT



MAIN FRAME ATTACHMENT

REF.NO.	CODE	QTY	DESCRIPTION	REMARKS
1	UL5009000	1	INTER LOCK LEVER, CV	
2	UL5011000	1	INTER LOCK LEVER, PENDULUM	
3	UL5012000	1	INTER LOCK LEVER, S	
4	UL5013001	1	SPRING, EXTENSION	
5	UL5774001	1	FAN MOTOR B37	
6	087310815	2	TAPTITE, CUP BM3X8	
7	UL5019001	1	MAIN MOTOR UNIT	
8	087310815	2	TAPTITE, CUP BM3X8	
9	UL5025000	1	GEAR SHAFT PLATE	
10	087310815	2	TAPTITE, CUP BM3X8	
11	OA5300605	1	SCREW, PAN (WASHER) M3X6DB	
12	087320616	1	TAPTITE, CUP SM3X6	
13	UL5027000	1	GEAR, 23/66	
14	UL5028000	1	GEAR, 22/63	
15	UL5029000	1	GEAR, 25/40	
16	UL5030000	1	GEAR, 23/37	
17	UL5031000	1	GEAR, 17/78	
18	UL5032000	1	GEAR, 29/38	
19	UL5033000	1	IDLE GEAR, 59	
20	UL5034000	1	GEAR 20/43	
21	UL5035000	1	GEAR, 27/38	
22	UL5036000	2	IDLE GEAR, 24	
23	UL5037000	1	GEAR, 42/60	
24	UL5038000	1	CLUTCH GEAR, 47	
25	UL5039000	1	GEAR, 18	
26	UL5040000	1	CLUTCH GEAR, 21	
27	UL5041000	1	CLUTCH LEVER	
28	UF3056001	1	SPRING, EXTENSION	
29	UL5043001	1	SOLENOID C ASSY	
30	UL5050001	1	SPRING, FRICTION	
31	UL5087001	1	REGIST SENSOR LEVER	
32	UK2151001	1	PAPER EJECT SENSOR PCB ASSY	
33	UK2211001	1	PAPER EJECT SENSOR HARNESS ASSY	
34	087310815	1	TAPTITE, CUP BM3XB	
35	UL5015001	1	ERASE LAMP FEEDER HOLDER ASSY	
36	UL5084000	1	RUBBER WASHER 12	
37	UF0245000	2	MINI CLAMP	

2 . SCANNING FRAME



SCANNING FRAME

REF.NO.	CODE	QTY	DESCRIPTION	REMARKS
1	UL5820001	1	SCANNING FRAME UNIT, 3	
1-1	UF4366001	1	SEPARATION ROLLER	
1-2	UL5653001	1	ROLLER SHAFT ASSY	
1-3	UF4366001	1	SEPARATION ROLLER	
1-4	UL5654001	1	ROLLER SHAFT ASSY	
1-5	UL8134001	1	MAIN-CCD HARNESS	
1-6	UL5651001	1	SHELTERED SHEETASSY	
1-7	UL5624001	1	ACTUATOR, F	
1-8	UL5661001	1	SPRING, TORSION	
2	UL5642001	2	EJECTION SPRING	
3	UL5804001	1	COVER GLASS	
4	UL5645004	1	ADF COVER, WHITE(I138)	
5	UL5646001	2	PANEL OPEN SPRING	
6	087311016	2	TAPTITE,CUPB M3X10	
7	087311016	2	TAPTITE, CUP B M3X10	
8	UL5822001	1	LF ROLLER	
9	048040345	1	RETAINING RING, E4	
10	UL5823001	1	EJECTION ROLLER	
11	087311016	2	TAPTITE, CUP B M3X10	
12	UL5657004	1	FUNCTION COVER, WH1TE(1138)	

© Copyright Brother 1995

All rights reserved

No part of this publication may be reproduced in any form
or by any means without permission in writing from the
publisher.

Specifications are subject to change without prior notice.

brother®

February, '95
5X5180
Printed in Japan