



**FACSIMILE EQUIPMENT  
PARTS REFERENCE LIST**

**MODEL: MFC820CW  
MFC640CW  
(For U.S.A. / Canada)**

© Copyright Brother 2005

All rights reserved

No part of this publication may be reproduced in any form  
or by any means without permission in writing from the  
publisher.

Specifications are subject to change without prior notice.

## NOTES FOR USING THIS PARTS REFERENCE LIST

1. In the case of ordering parts, it needs mentioning the following items:

- (1) Code
- (2) Q' ty
- (3) Description
- (4) Recommend (The  $\checkmark$  mark is attached to recommend parts at this column.)
- (5) Symbol (PCB No., Revision, and Parts location mounted on the PCB.)

Note: No orders without Parts Code or Tool No. can be accepted.

[Example]

|         | (1)  | (2)   | (3)         | (4)       | (5)    |         |
|---------|------|-------|-------------|-----------|--------|---------|
| REF.NO. | CODE | Q' TY | DESCRIPTION | RECOMMEND | SYMBOL | REMARKS |
|         |      |       |             |           |        |         |

2. Design-changed parts:

When the parts are changed, any one of the following symbols is mentioned in the REMARKS column.

CHG (chg): The part is changed to a new part.

ADD (add): The part is newly added.

DEL (del): The part is deleted.

Symbol in capital letters indicates that the change is the latest one in the page.

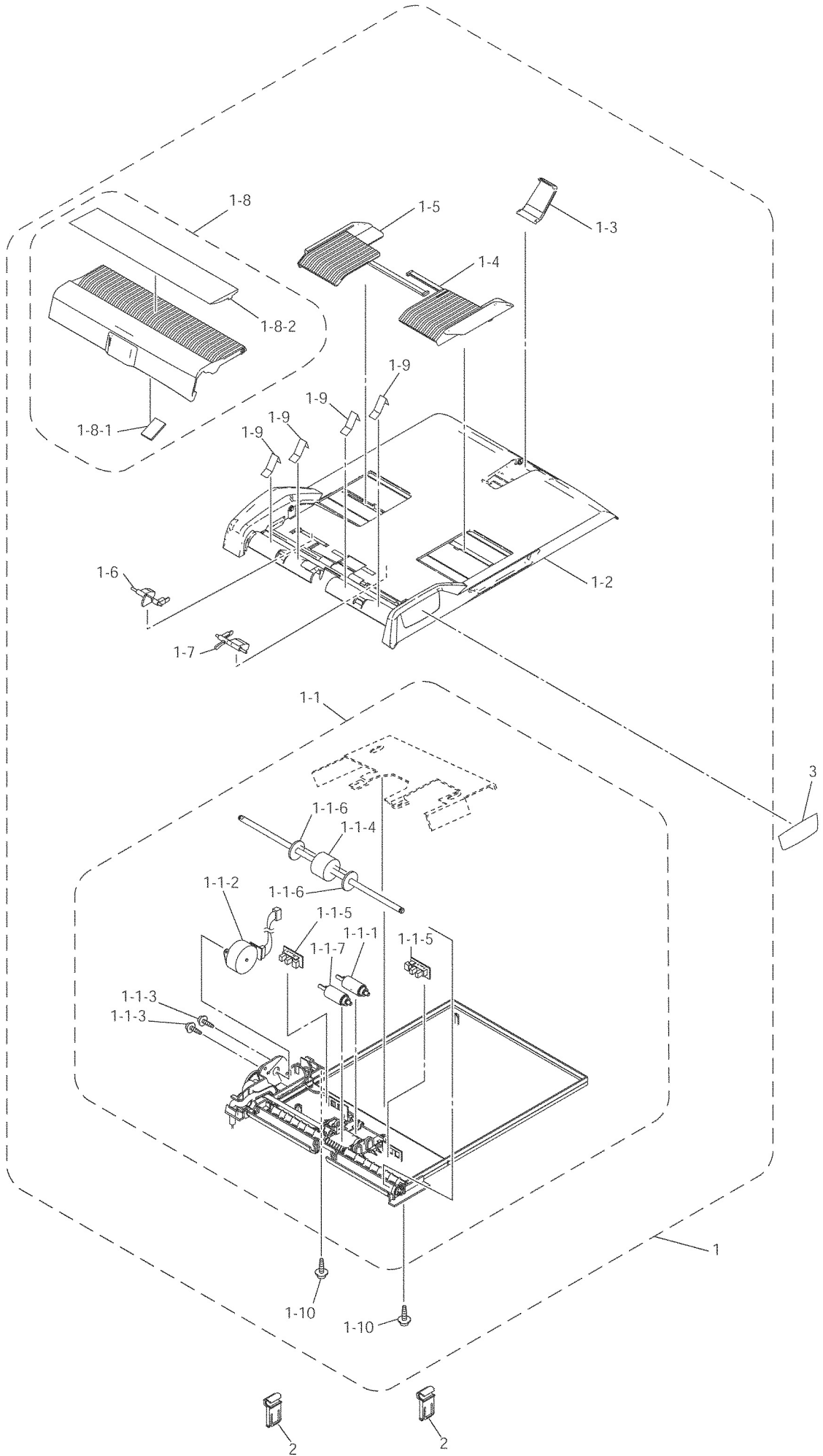
3. Parts change will be informed by the technical information.

### COUNTRIES

U.S.A. ----- US

CANADA ---- CAN

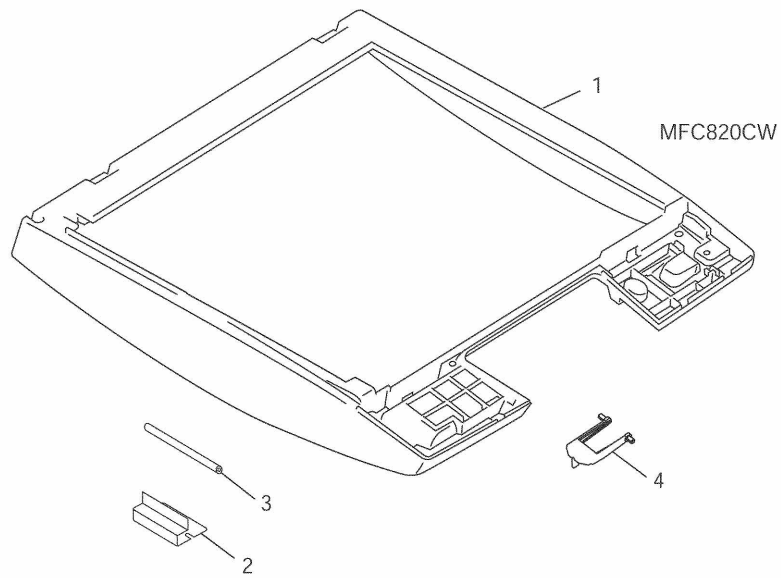
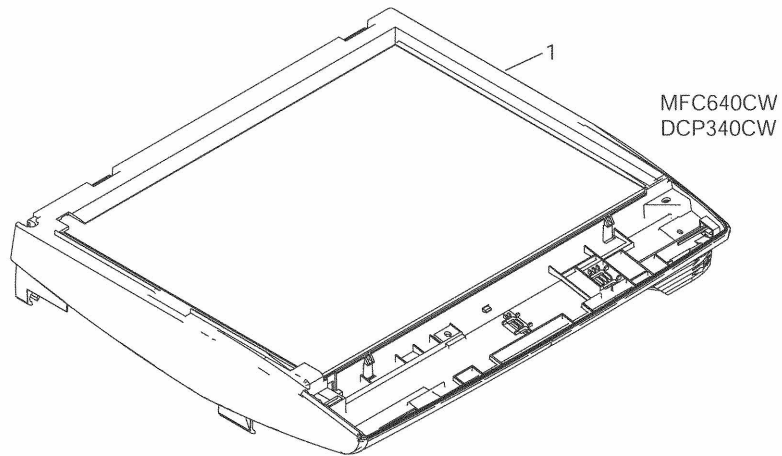
1 ADF



## List1(ADF)

| REF No. | CODE      | QTY | DESCRIPTION                    | RECOMMEND | REMARKS |
|---------|-----------|-----|--------------------------------|-----------|---------|
| 1       | LP0657006 | 1   | ADF AND SCANNER COVER ASSY     | √         |         |
| 1-1     | LP0585001 | 1   | ADF UNIT ASSY                  |           |         |
| 1-1-1   | LF7006001 | 1   | DOCUMENT PULL-IN ROLLER        |           |         |
| 1-1-2   | LF4953001 | 1   | ADF MOTOR                      |           |         |
| 1-1-3   | 0A5300605 | 2   | SCREW, PAN (S/P WASHER) M3X6   |           |         |
| 1-1-4   | LF4955001 | 1   | DOCUMENT FEED ROLLER           |           |         |
| 1-1-5   | LG2239001 | 2   | DOCUMENT SENSOR                |           |         |
| 1-1-6   | LF7681001 | 2   | ROLLER SUPPORT                 |           |         |
| 1-1-7   | LF4944001 | 1   | DOCUMENT SEPARATION ROLLER     |           |         |
| 1-2     | LP0139006 | 1   | DOCUMENT COVER                 |           |         |
| 1-3     | LF4964006 | 1   | DOCUMENT STOPPER               |           |         |
| 1-4     | LF4965006 | 1   | DOCUMENT GUIDE F               |           |         |
| 1-5     | LF4966006 | 1   | DOCUMENT GUIDE R               |           |         |
| 1-6     | LF4967001 | 1   | DOCUMENT FRONT SENSOR ACTUATOR |           |         |
| 1-7     | LF4968001 | 1   | DOCUMENT REAR SENSOR ACTUATOR  |           |         |
| 1-8     | LF4969006 | 1   | ADF COVER ASSY                 |           |         |
| 1-8-1   | LF4975001 | 1   | SEPARATION PAD                 |           |         |
| 1-8-2   | LF5356005 | 1   | DOCUMENT EJECTION COVER        |           |         |
| 1-9     | LF5144001 | 4   | DOCUMENT EJECTION FILM         |           |         |
| 1-10    | 085411216 | 2   | TAPTITE BIND B M4X12           |           |         |
| 2       | LF4976006 | 2   | HINGE                          |           |         |
| 3       | LP0188004 | 1   | EMBLEM BROTHER                 |           |         |

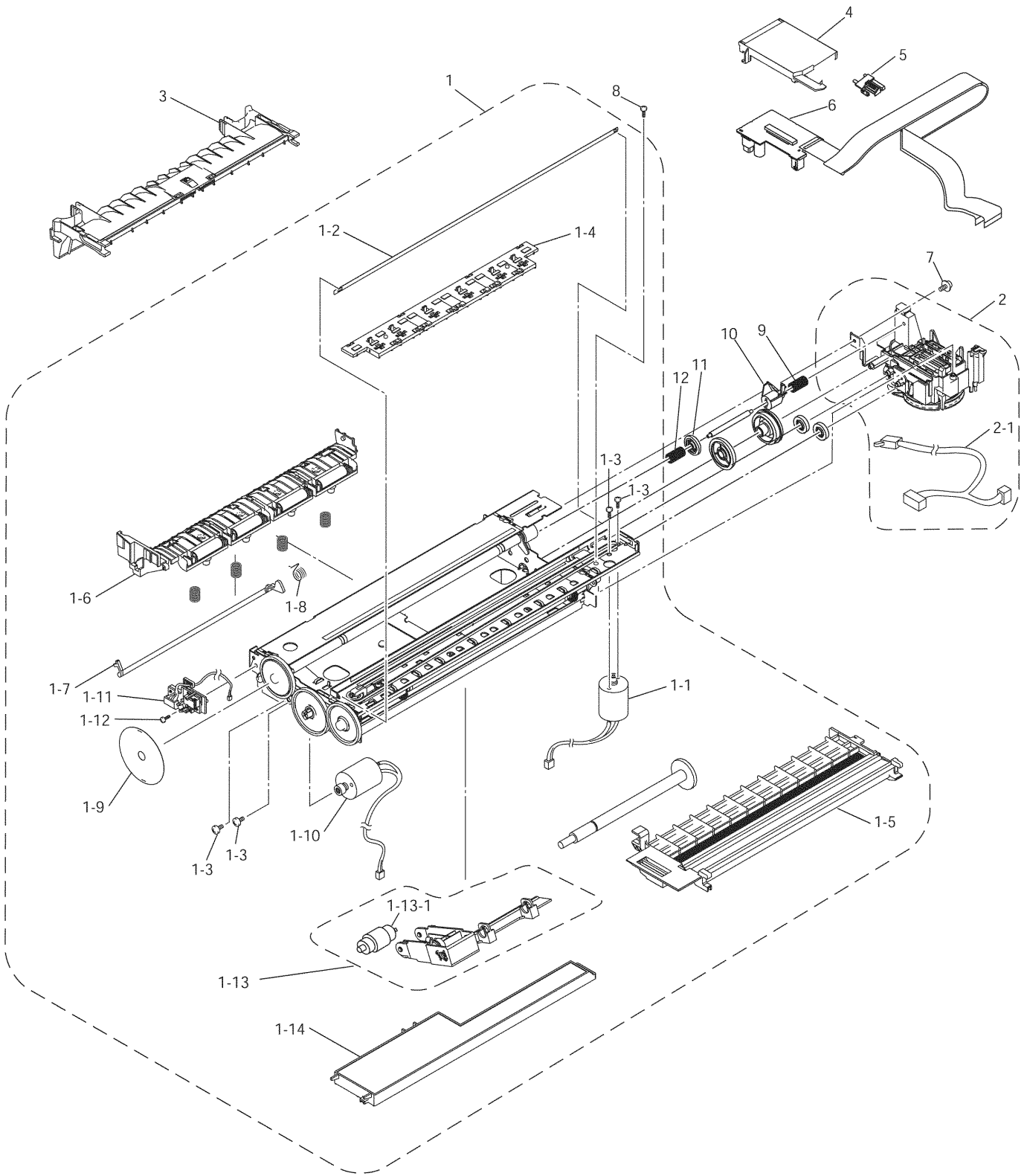
## 2 SCANNER



## List2(SCANNER)

| REF No. | CODE      | QTY | DESCRIPTION                        | RECOMMEND | REMARKS |
|---------|-----------|-----|------------------------------------|-----------|---------|
| 1       | LP0813006 | 1   | SCANNER UNIT, GRAY(1791), MFC640CW | √         |         |
| 1       | LP0808006 | 1   | SCANNER UNIT, GRAY(1791), MFC820CW |           |         |
| 2       | LP0994001 | 1   | HARNESS SUPPORT FILM               |           | CHG     |
| 3       | LF7087001 | 1   | HARNESS SPACER                     |           |         |
| 4       | LP0505001 | 1   | ACTUATOR ARM                       |           |         |

# 3 ENGINE

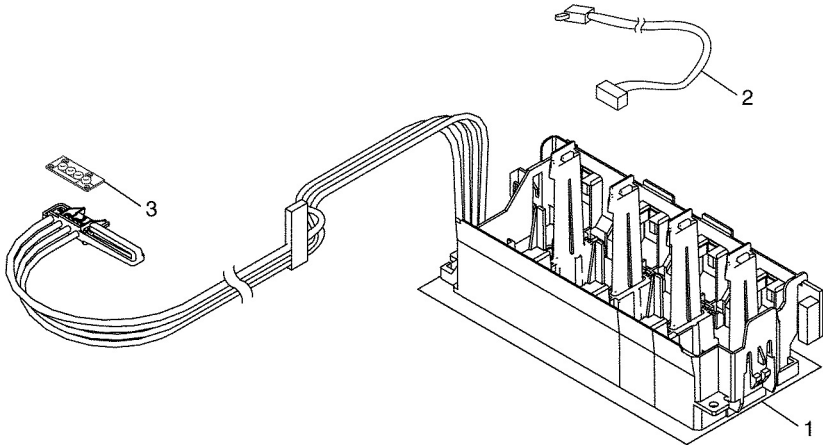




## List3(ENGINE)

| REF No. | CODE      | QTY | DESCRIPTION                           | RECOMMEND | REMARKS |
|---------|-----------|-----|---------------------------------------|-----------|---------|
| 1       | LF7963001 | 1   | ENGINE UNIT SUPPLY ASSY               |           |         |
| 1-1     | LF4764001 | 1   | CARRIAGE MOTOR                        |           |         |
| 1-2     | LF4769001 | 1   | CR ENCODER STRIP                      |           |         |
| 1-3     | 000300305 | 4   | SCREW, BIND M3X3                      |           |         |
| 1-4     | LP0555001 | 1   | STAR WHEEL HOLDER ASSY A              |           |         |
| 1-5     | LF7525001 | 1   | PLATEN                                |           |         |
| 1-6     | LP0021001 | 1   | PAPER PRESSURE HOLDER                 |           |         |
| 1-7     | LF4789001 | 1   | REGISTRATION SENSOR ACTUATOR          |           |         |
| 1-8     | LF4790001 | 1   | SENSOR ACTUATOR SPRING                |           |         |
| 1-9     | LF4800001 | 1   | PF ENCODER DISK                       |           |         |
| 1-10    | LP0060001 | 1   | PAPER FEED MOTOR                      |           |         |
| 1-11    | LF4809001 | 1   | PF SENSOR PCB                         |           |         |
| 1-12    | 087320616 | 1   | TAPTITE, CUP S M3X6                   |           |         |
| 1-13    | LF4812001 | 1   | PAPER PULL-IN HOLDER                  |           |         |
| 1-13-1  | LF4815001 | 1   | AUTO SHEET FEEDER ROLLER ASSY         |           | ADD     |
| 1-14    | LF4818001 | 1   | FLUSHING CASE                         |           |         |
| 2       | LF7036001 | 1   | MAINTENANCE UNIT                      | √         |         |
| 2-1     | LG5780001 | 1   | INK CARTRIDGE/PURGE HP SWITCH HARNESS |           |         |
| 3       | LF4806001 | 1   | JAM CLEAR COVER                       |           |         |
| 4       | LF7953001 | 1   | HEAD COVER ASSY                       |           |         |
| 5       | LP0057001 | 1   | FFC SUPPORT                           |           |         |
| 6       | LF7954001 | 1   | CARRIAGE PCB SUPPLY ASSY              |           |         |
| 7       | 087320616 | 1   | TAPTITE, CUP S M3X6                   |           |         |
| 8       | 087310815 | 1   | TAPTITE, CUP B M3X8                   |           |         |
| 9       | LF4760001 | 1   | PURGE LEVER SPRING (LONGER)           |           |         |
| 10      | LF4759001 | 1   | PURGE LEVER                           |           |         |
| 11      | LF4762001 | 1   | CLUTCH GEAR                           |           |         |
| 12      | LF4763001 | 1   | CLUTCH GEAR SPRING (SHORTER)          |           |         |

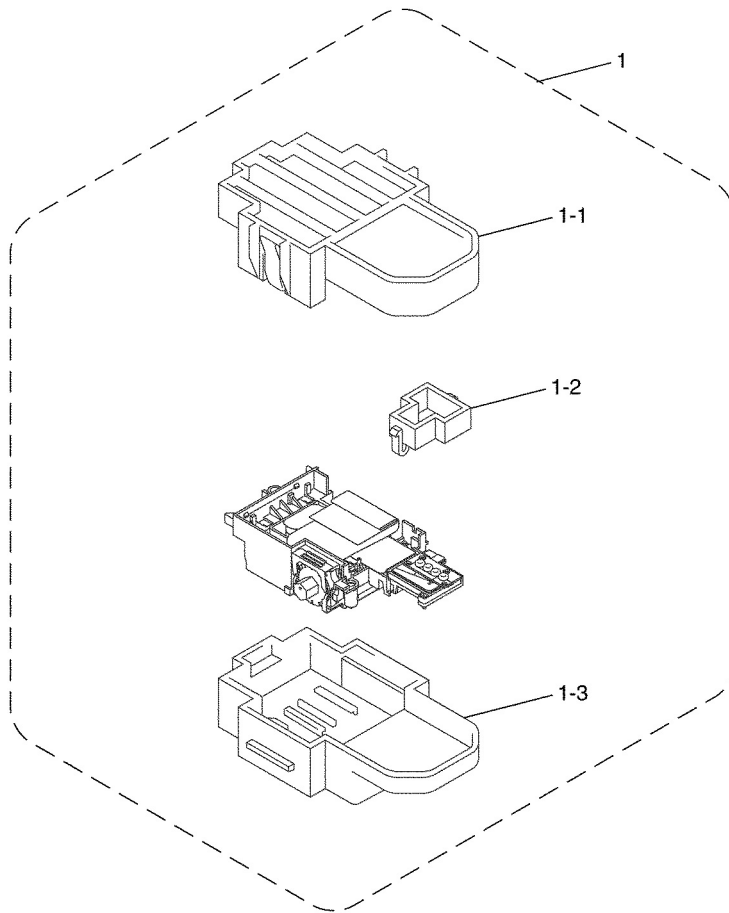
4 CARTRIDGE CASE



## List4(CARTRIDGE CASE)

| REF No. | CODE      | QTY | DESCRIPTION                   | RECOMMEND | REMARKS |
|---------|-----------|-----|-------------------------------|-----------|---------|
| 1       | LP0472001 | 1   | INK REFILL SUPPLY ASSY        | √         |         |
| 2       | ----      |     | NOT USED                      |           |         |
| 3       | LF7590001 | 1   | HEAD JOINT RUBBER SUPPLY ASSY |           |         |

5 HEAD

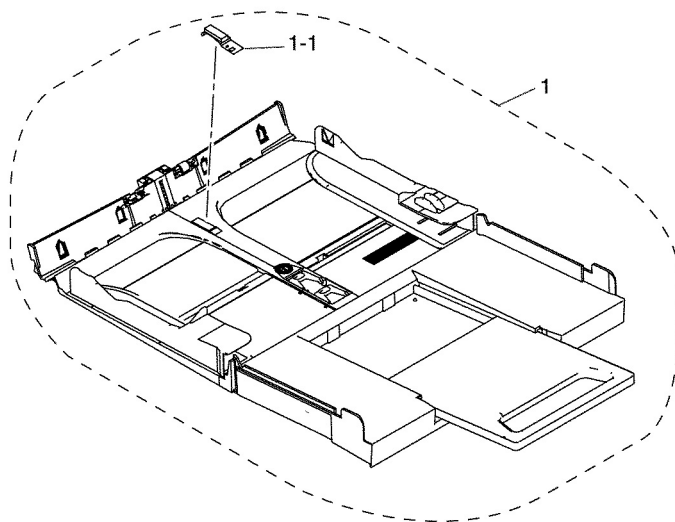
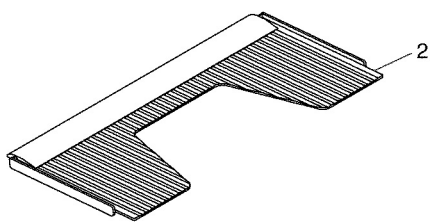


## List5(HEAD)

| REF No. | CODE      | Q.TY | DESCRIPTION                                                    | RECOMMEND | REMARKS |
|---------|-----------|------|----------------------------------------------------------------|-----------|---------|
| 1       | LK1866001 | 1    | HEAD/CARRIAGE UNIT SUPPLY ASSY (without CARRIAGE PCB ASSY) (*) |           |         |
| 1-1     | LK1579001 | 1    | HEAD CASING UPPER                                              |           |         |
| 1-2     | LK1581001 | 1    | AIR BUFFER CAP                                                 |           |         |
| 1-3     | LK1580001 | 1    | HEAD CASING LOWER                                              |           |         |

\*: Please see List 3, 6; CARRIAGE PCB SUPPLY ASSY

## 6 PAPER TRAY



## List6(PAPER TRAY)

| REF No. | CODE      | QTY | DESCRIPTION     | RECOMMEND | REMARKS |
|---------|-----------|-----|-----------------|-----------|---------|
| 1       | LF4855001 | 1   | PAPER TRAY ASSY | √         |         |
| 1-1     | LP0556001 | 1   | BASE PAD ASSY   |           |         |
| 2       | LF5063001 | 1   | TRAY COVER      |           |         |



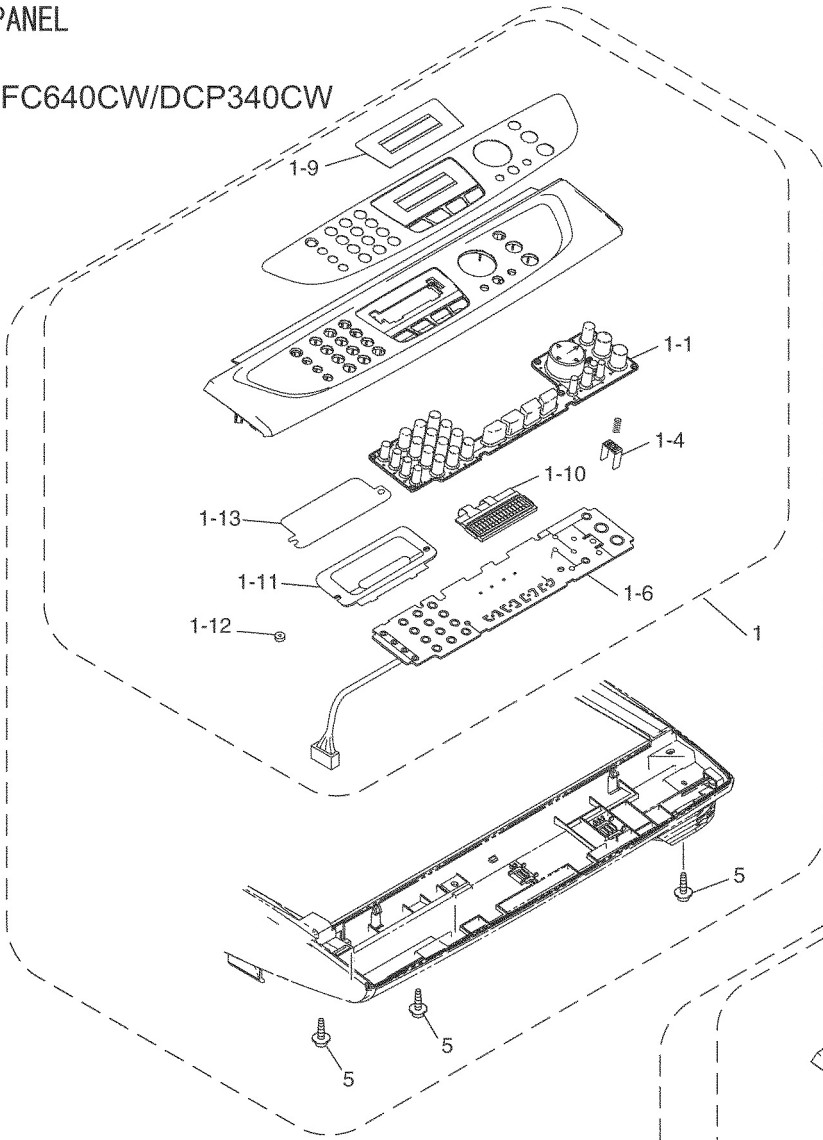


## List7(COVER)

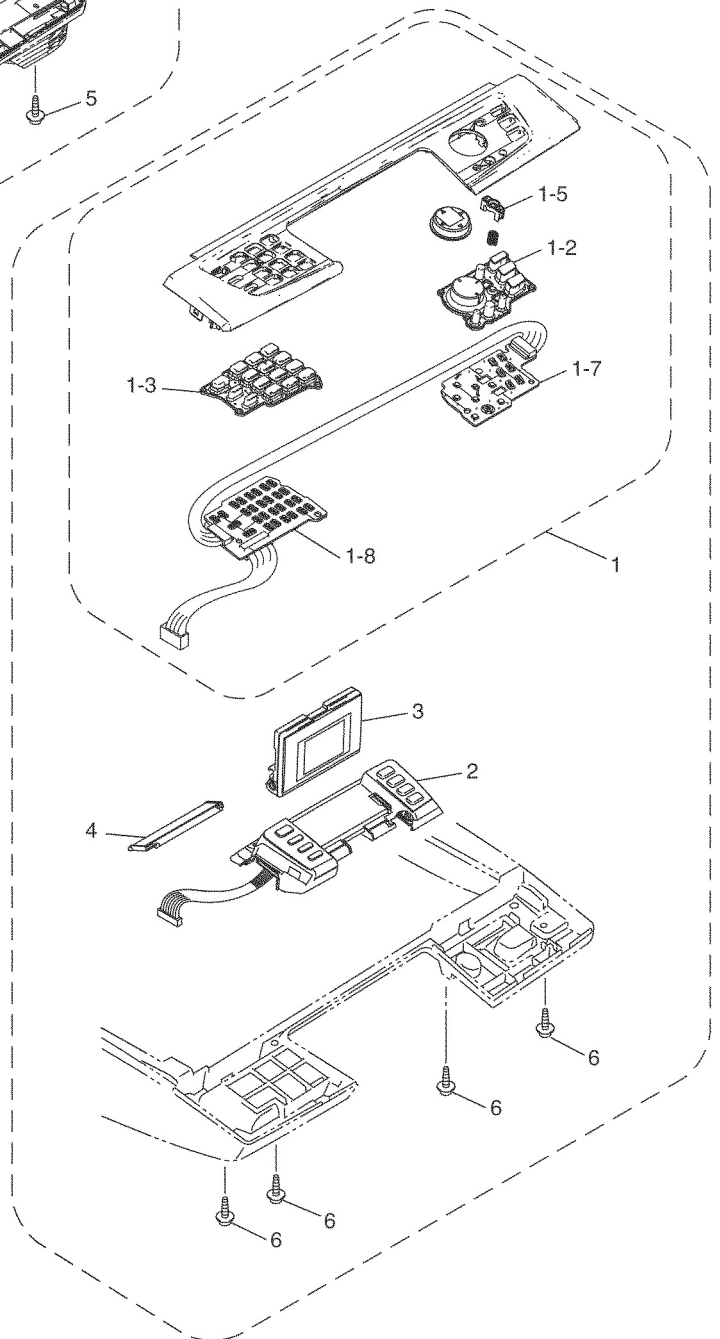
| REF No. | CODE                 | QTY | DESCRIPTION                                        | RECOMMEND | SYMBOL  | REMARKS |
|---------|----------------------|-----|----------------------------------------------------|-----------|---------|---------|
| 1       | LF4865001            | 1   | LOWER COVER ASSY                                   |           |         |         |
| 2       | LF7443001            | 1   | INK ABSORBER BOX ASSY                              | √         |         |         |
| 3       | LP3854001            | 1   | HANDSET MOUNT ASSY, MFC640CW                       |           |         | chg     |
| 4       | LG5474001            | 1   | HOOK SWITCH PCB ASSY, MFC640CW                     |           | B53K763 |         |
| 5       | LG5886001            | 1   | SPEAKER UNIT, MFC640CW                             |           |         |         |
| 5       | LG6024001            | 1   | SPEAKER UNIT, MFC820CW                             |           |         |         |
| 6       | LP0924001            | 1   | MEDIA MODULE COVER                                 |           |         |         |
| 7       | LF5341001            | 1   | UPPER COVER, MFC640CW                              |           |         |         |
| 7       | LP0499001            | 1   | UPPER COVER, MFC820CW                              |           |         |         |
| 8       | LF4879001            | 1   | HARNESS COVER, MFC640CW                            |           |         |         |
| 9       | LP0502001            | 1   | HARNESS COVER, MFC820CW                            |           |         |         |
| 10      | LF4880001            | 1   | SCANNER COVER STOPPER                              |           |         |         |
| 11      | LF4987001            | 1   | CIS FLAT CABLE COVER                               |           |         |         |
| 12      | LP3588001            | 1   | SCANNER COVER DAMPER                               |           |         | CHG     |
| 13      | 087320616            | 2   | TAPTITE, CUP S M3X6                                |           |         |         |
| 14      | 085411216            | 4   | TAPTITE, BIND B M4X12                              |           |         |         |
| 15      | 087310815            | 4   | TAPTITE, CUP B M3X8                                |           |         |         |
| 16      | 087320616            | 2   | TAPTITE, CUP S M3X6, MFC820CW                      |           |         |         |
| 17      | <del>LF5790004</del> | 4   | <del>INK REPLACE INSTRUCTION LABEL, MFC640CW</del> |           |         | del     |
| 17      | LP0717001            | 1   | INK REPLACE LABEL, MFC640CW/820CW                  |           |         |         |
| 18      | LF4883001            | 1   | CONSUMPTION LABEL                                  |           |         |         |
| 19      | LF5789001            | 1   | COVER OPEN/CLOSE LABEL                             |           |         |         |
| 20      | LF5179001            | 1   | USB STICKER                                        |           |         |         |
| 21      | 0A5300805            | 1   | SCREW, PAN (S/P WASHER) M3X8                       |           |         |         |
| 22      | LF4993001            | 1   | HOOK SWITCH ACTUATOR, MFC640CW                     |           |         |         |
| 23      | LF7105001            | 1   | USB/LAN CONNECTION LABEL                           |           |         |         |
| 24      | LF7262001            | 1   | FFC GUIDE FILM                                     |           |         |         |
| 25      | LF7445001            | 1   | TUBE GUIDE FILM                                    |           |         |         |
| 26      | LP0582001            | 1   | PAPER JAM INSTRUCTION LABEL                        |           |         |         |
| 27      | LG5500001            | 1   | BATTERY                                            |           |         |         |
| 28      | LP0501001            | 1   | PLASTIC HINGE, MFC820CW                            |           |         |         |
| 29      | LP0825001            | 1   | FB STOPPER DAMPING SHEET                           |           |         | add     |

# 8 PANEL

## MFC640CW/DCP340CW



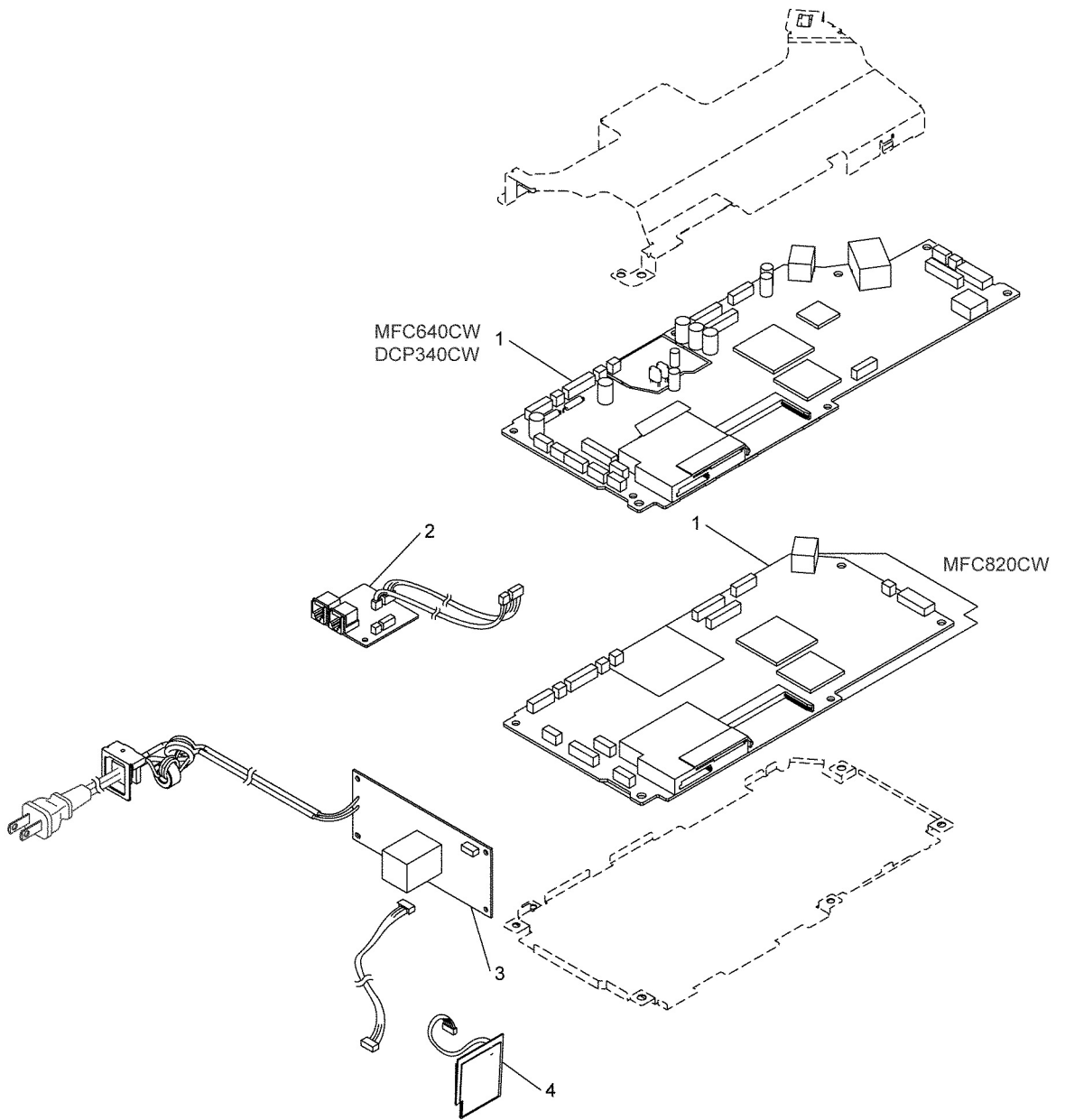
## MFC820CW



## List8(PANEL)

| REF No. | CODE      | QTY | DESCRIPTION                            | RECOMMEND | SYMBOL  | REMARKS |
|---------|-----------|-----|----------------------------------------|-----------|---------|---------|
| 1       | LP0122001 | 1   | CONTROL PANEL ASSY, MFC640CW           | √         |         |         |
| 1       | LP0473001 | 1   | CONTROL PANEL ASSY, MFC820CW           | √         |         |         |
| 1-1     | LF5111003 | 1   | RUBBER KEYPAD, MFC640CW                |           |         |         |
| 1-2     | LP0476001 | 1   | RUBBER KEYPAD R, MFC820CW              |           |         |         |
| 1-3     | LP0478001 | 1   | RUBBER KEYPAD L, MFC820CW              |           |         |         |
| 1-4     | LF4890001 | 1   | SCANNER OPEN SENSOR ACTUATOR, MFC640CW |           |         |         |
| 1-5     | LP0480001 | 1   | SCANNER OPEN SENSOR ACTUATOR, MFC820CW |           |         |         |
| 1-6     | LG5533051 | 1   | CONTROL PANEL PCB ASSY, MFC640CW       |           | B53K752 |         |
| 1-7     | LG6472001 | 1   | CONTROL PANEL PCB ASSY R, MFC820CW     |           | B53K829 |         |
| 1-8     | LG6473001 | 1   | CONTROL PANEL PCB ASSY L, MFC820CW     |           | B53K828 |         |
| 1-9     | LP0123001 | 1   | LCD SHEET, MFC640CW                    |           |         |         |
| 1-10    | LG6132001 | 1   | LCD, MFC640CW                          |           |         |         |
| 1-11    | LF5092001 | 1   | LCD HOLDER, MFC640CW                   |           |         |         |
| 1-12    | UF6916001 | 1   | MIC COVER, MFC640CW                    |           |         |         |
| 1-13    | LF5093001 | 1   | DIFFUSION FILM, MFC640CW               |           |         |         |
| 2       | LP0482001 | 1   | CENTER PANEL ASSY, MFC820CW            | √         |         |         |
| 3       | LP0493001 | 1   | COLOR LCD UNIT ASSY, MFC820CW          |           |         |         |
| 4       | LP0498001 | 1   | CABLE PROTECTION PLATE, MFC820CW       |           |         |         |
| 5       | 087311216 | 3   | TAPTITE, CUP B M3X12, MFC640CW         |           |         |         |
| 6       | 085311016 | 4   | TAPTITE, BIND B M3X10, MFC820CW        |           |         | CHG     |

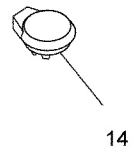
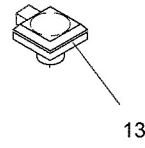
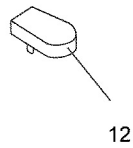
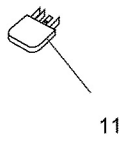
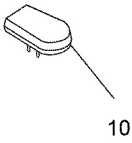
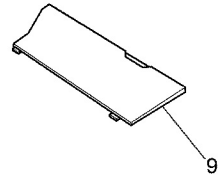
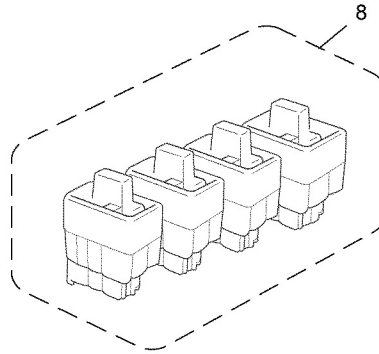
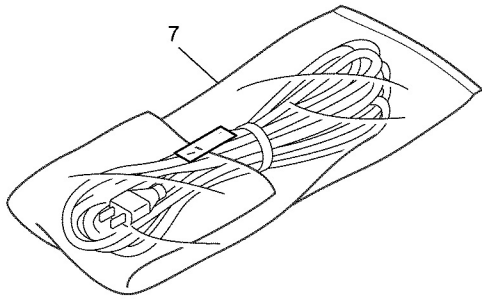
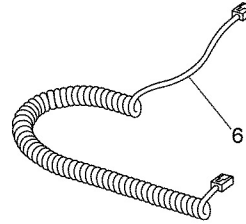
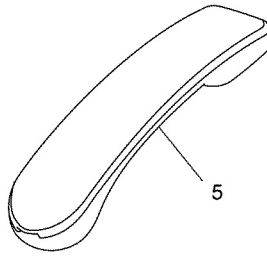
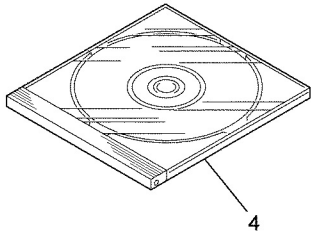
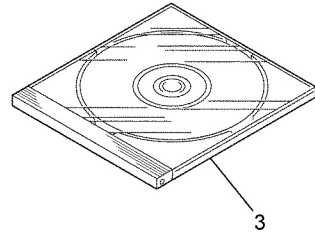
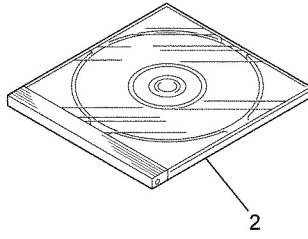
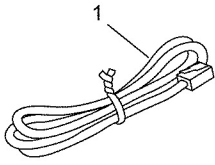
9 PCB



## List9(PCB)

| REF No. | CODE      | Q.TY | DESCRIPTION             | RECOMMEND | SYMBOL  | REMARKS |
|---------|-----------|------|-------------------------|-----------|---------|---------|
| 1       | LG6356041 | 1    | MAIN PCB ASSY, MFC640CW | √         | B53K819 |         |
| 1       | LG6357051 | 1    | MAIN PCB ASSY, MFC820CW | √         | B53K819 |         |
| 2       | LG5365051 | 1    | MJ PCB ASSY             |           | B53K759 |         |
| 3       | LG6362001 | 1    | POWER SUPPLY PCB UNIT   | √         |         |         |
| 4       | LG6846001 | 1    | WLAN PCB                | √         |         | CHG     |

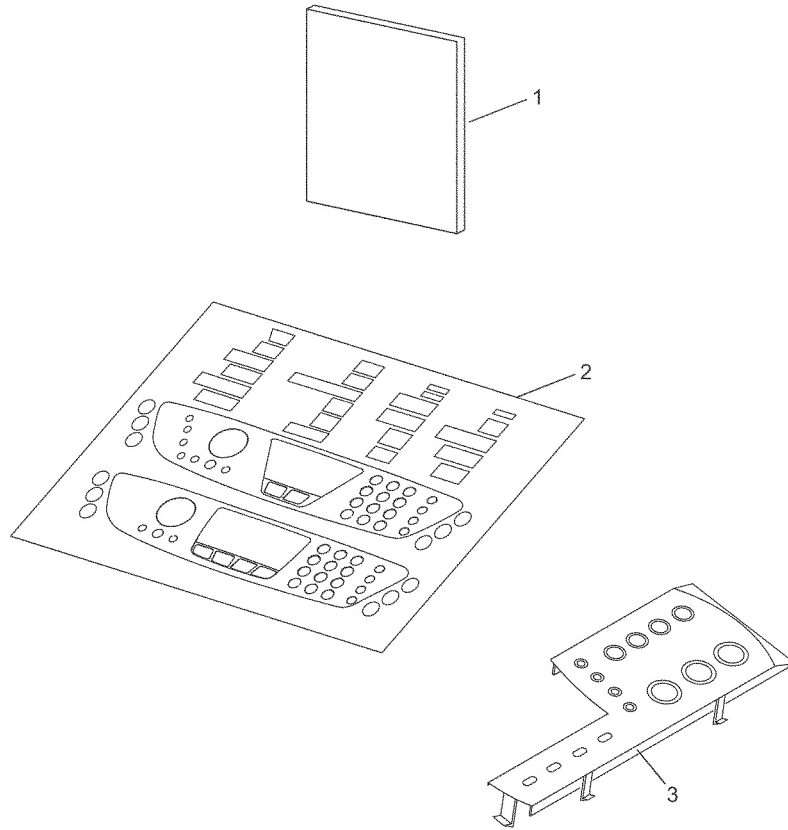
# 10 ACCESSORIES



## List10(Accessories)

| REF No. | CODE      | QTY | DESCRIPTION                        | RECOMMEND | REMARKS |
|---------|-----------|-----|------------------------------------|-----------|---------|
| 1       | LG3077001 | 1   | TELEPHONE LINE CORD                |           |         |
| 2       | LP0321001 | 1   | CD-ROM ASSY <Windows>, MFC640CW    |           |         |
| 2       | LP0322001 | 1   | CD-ROM ASSY <Windows>, MFC820CW    |           |         |
| 3       | LP0323001 | 1   | CD-ROM ASSY <Macintosh>, MFC640CW  |           |         |
| 3       | LP0324001 | 1   | CD-ROM ASSY <Macintosh>, MFC820CW  |           |         |
| 4       | ----      |     | NOT USED                           |           |         |
| 5       | LE5803018 | 1   | HANDSET ASSY, MFC640CW             |           |         |
| 6       | UL8019005 | 1   | HANDSET CURLED CORD ASSY, MFC640CW |           |         |
| 7       | ----      |     | NOT USED                           |           |         |
| 8       | LF7986001 | 1   | PROTECTION CARTRIDGE SUPPLY ASSY   |           |         |
| 9       | LF5555001 | 1   | SIDE COVER ASSY, MFC640CW          |           |         |
| 10      | ----      |     | NOT USED                           |           |         |
| 11      | ----      |     | NOT USED                           |           |         |
| 12      | ----      |     | NOT USED                           |           |         |
| 13      | ----      |     | NOT USED                           |           |         |
| 14      | ----      |     | NOT USED                           |           |         |

11 PRINTED MATERIALS

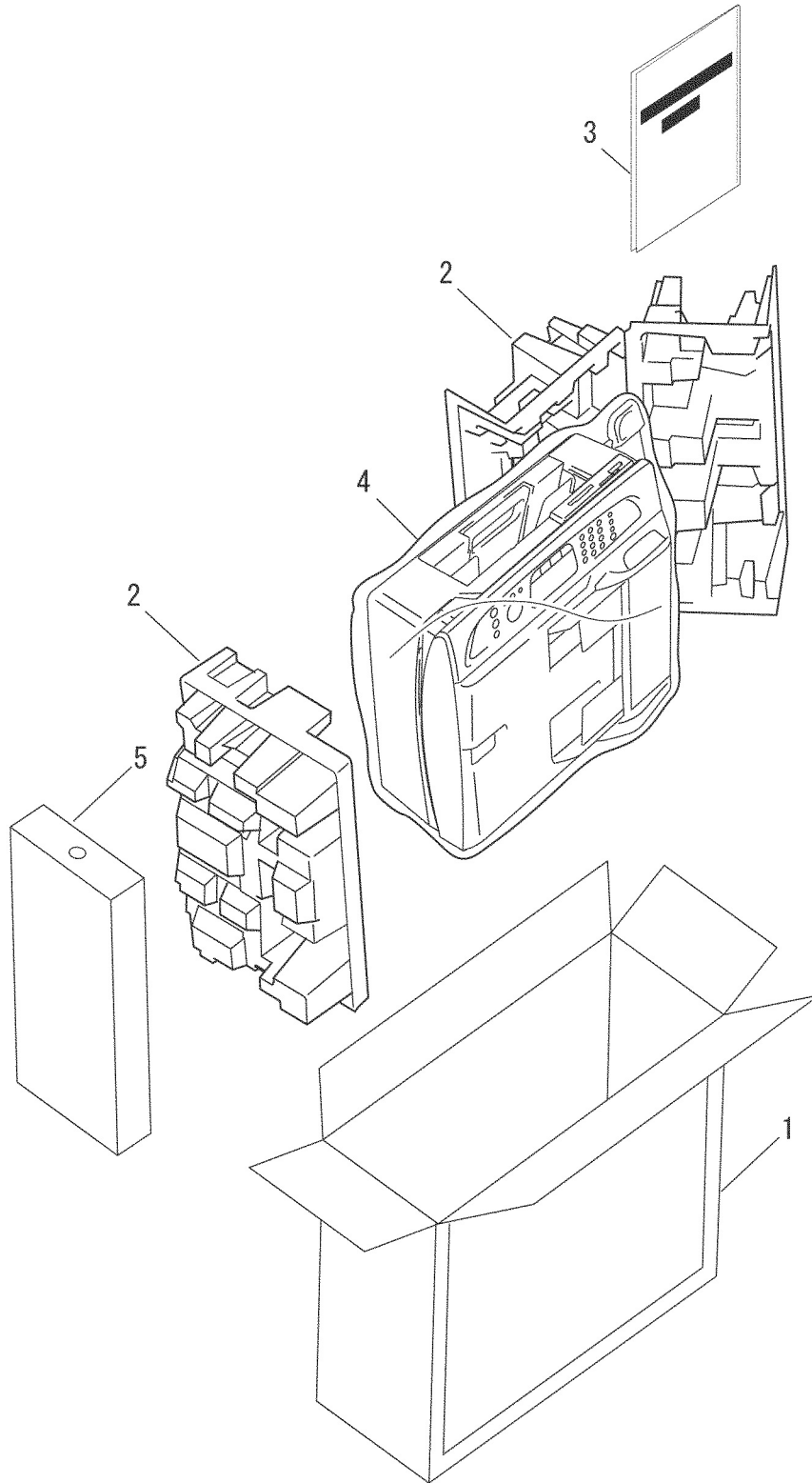




## List11(PRINTED MATERIALS)

| REF No. | CODE      | QTY | DESCRIPTION                              | RECOMMEND | REMARKS |
|---------|-----------|-----|------------------------------------------|-----------|---------|
| 1       | LP0410001 | 1   | OWNER'S GUIDE, MFC640CW <ENGLISH>        |           |         |
| 1       | LP0410002 | 1   | OWNER'S GUIDE, MFC640CW FOR CAN <FRENCH> |           |         |
| 1       | LP0411001 | 1   | OWNER'S GUIDE, MFC820CW <ENGLISH>        |           |         |
| 1       | LP0411002 | 1   | OWNER'S GUIDE, MFC820CW FOR CAN <FRENCH> |           |         |
| 2       | LF5907002 | 1   | FRENCH STICKER, MFC640CW FOR CAN         |           |         |
| 2       | LP0850001 | 1   | FRENCH STICKER, MFC820CW FOR CAN         |           |         |
| 3       | ----      |     | NOT USED                                 |           |         |

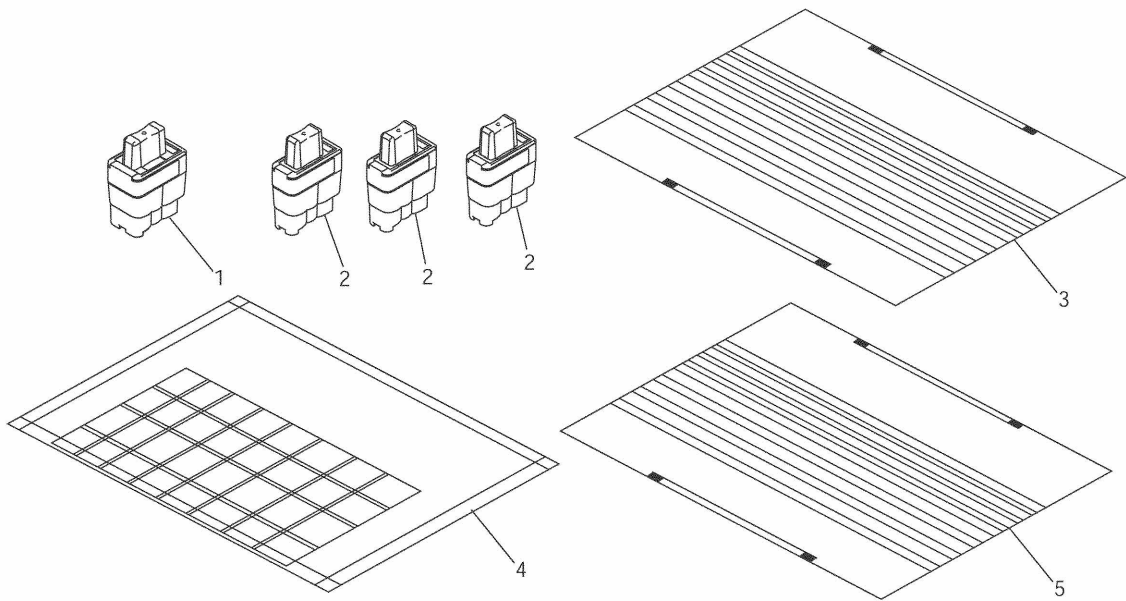
# 12 PACKAGING



## List12(PACKAGING)

| REF No. | CODE      | QTY | DESCRIPTION                                  | RECOMMEND | REMARKS |
|---------|-----------|-----|----------------------------------------------|-----------|---------|
| 1       | LP0560001 | 1   | CARTON, BROTHER, MFC640CW FOR US             | √         |         |
| 1       | LP0572001 | 1   | CARTON, BROTHER, MFC640CW FOR CAN            | √         |         |
| 1       | LP0844001 | 1   | CARTON, BROTHER, MFC820CW FOR US             | √         |         |
| 1       | LP0955001 | 1   | CARTON, BROTHER, MFC820CW FOR CAN            | √         | ADD     |
| 2       | LF5095001 | 1   | PULP CUSHION ASSY, MFC640CW                  |           |         |
| 2       | LF5123001 | 1   | PULP CUSHION ASSY, MFC820CW                  |           |         |
| 3       | LP0563001 | 1   | QUICK SETUP GUIDE, MFC640CW <ENGLISH>        |           |         |
| 3       | LP0563002 | 1   | QUICK SETUP GUIDE, MFC640CW FOR CAN <FRENCH> |           |         |
| 3       | LP0845001 | 1   | QUICK SETUP GUIDE, MFC820CW <ENGLISH>        |           |         |
| 3       | LP0845002 | 1   | QUICK SETUP GUIDE, MFC820CW FOR CAN <FRENCH> |           |         |
| 4       | LF0969001 | 1   | PE BAG 620X800H P                            |           |         |
| 5       | LF5126001 | 1   | ACCESSORIES BOX                              |           |         |

13. OTHERS



## List13(OTHERS)

| REF No. | CODE      | QTY | DESCRIPTION                                 | RECOMMEND | REMARKS |
|---------|-----------|-----|---------------------------------------------|-----------|---------|
| 1       | LK1349001 | 1   | DUMMY CARTRIDGE, BLACK < For ink drainage > |           |         |
| 2       | LK1350001 | 3   | DUMMY CARTRIDGE, COLOR < For ink drainage > |           |         |
| 3       | UF8263001 | 1   | TEST CHART-027                              |           |         |
| 4       | UF9258001 | 1   | COLOR TEST CHART CTC-001                    |           |         |
| 5       | UF4600001 | 1   | CONTRAST CHART TC-023                       |           |         |

**brother**®

PL-FAX122  
8CA817  
Ver. G-1