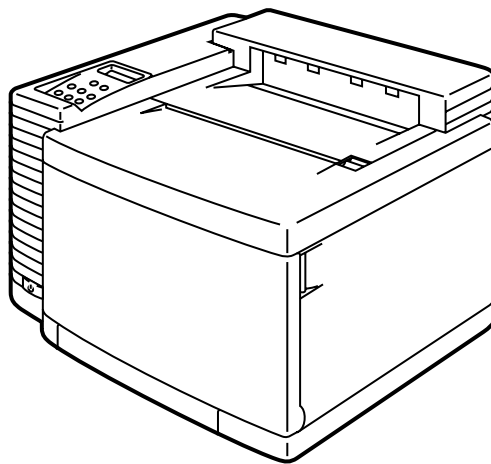




Brother Laser Printer **PARTS REFERENCE LIST**

MODEL: HL-2400C/2400Ce



Read this list thoroughly before maintenance work.

Keep this list in a convenient place for quick and easy reference at all times.

NOTE FOR USING THIS PARTS REFERENCE LIST

1. In the case of ordering parts, it needs mentioning the following items:

- (1) Code
- (2) Q'ty
- (3) Description
- (4) Symbol (PCB No., Revision , and Parts location mounted on the PCB.)

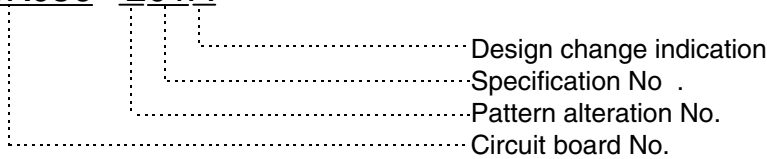
Note : No orders without Parts Code or Tool No. can be accepted.

< Example >

REF.NO.	CODE	Q'TY	DESCRIPTION	SYMBOL	REMARK

Revision No.: marked on the **main printed circuit board**.

B48K056 - 201A



Revision No.: marked on the **power supply PCB**.

Rev. 0B



2. Design-changed parts :

If the parts are changed, any one of the following symbols is indicated in the REMARKS column.

- #A : compatible between old and new
- #B : replaceable from old to new
- #D : incompatible
- # : newly established

3. The original of this list was made based on the information available in February, 2000.

4. Parts are subject to change in design without prior notice.

CONTENTS

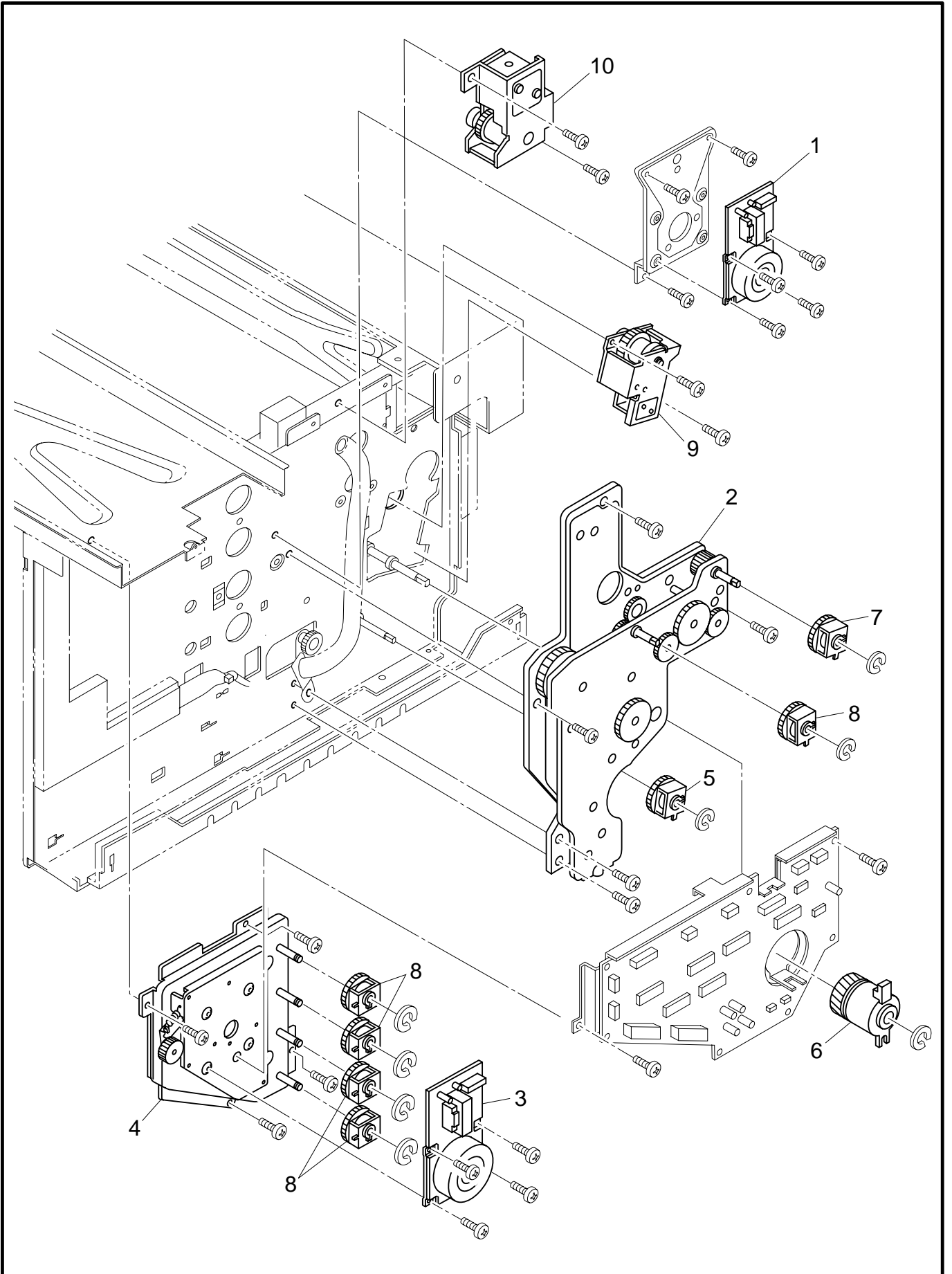
1. DRIVE	1
2. FRAME.....	3
3. SCANNER UNIT	5
4. MEDIA CASSETTE	5
5. TRANSFER UNIT.....	7
6. PAPER EXIT UNIT.....	7
7. FUSING UNIT	9
8. MAIN PCB.....	11
9. COVER	13
10. MCTL PCB	15
11. IOD PCB	15
12. POWER SUPPLY PCB.....	17
13. HIGH VOLTAGE POWER SUPPLY.....	17
14. AC CORDS	19
15. ACCESSORIES	19
16. PACKING MATERIALS	21
17. PERIODICAL REPLACEMENT PARTS	21
18. HARD DISK	23

1. DRIVE

REF.NO	CODE	Q'TY	DESCRIPTION	REMARK
1	UH3500001	1	MAIN MOTOR	
2	UH1941001	1	MAIN GEAR UNIT	
3	UH1942001	1	DEVELOPER DRIVE MOTOR	
4	UH1943001	1	DEVELOPER DRIVE UNIT	
5	UH3494001	1	PAPER FEEDING CLUTCH	
6	UH3495001	1	REGISTRATION CLUTCH	
7	UH3496001	1	FUSER CLUTCH	
8	UH3497001	5	DEVELOPER CLUTCH	
9	UH3498001	1	TRANSFER SOLENOID	
10	UH3499001	1	DRUM CLEANER SOLENOID	

MODEL HL-2400C/HL-2400Ce 54S-301/302

1. DRIVE



MODEL HL-2400C 54S-301

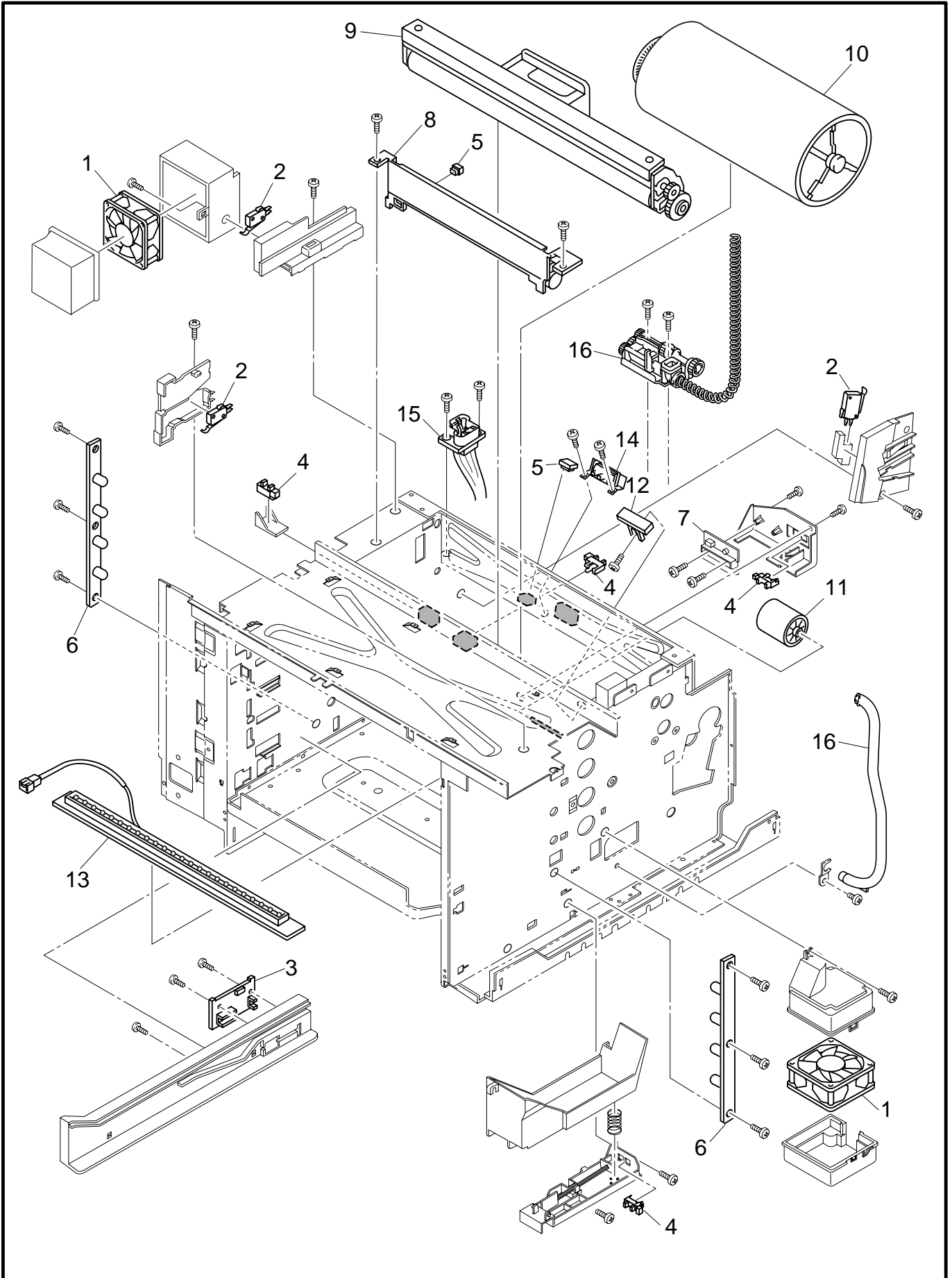
2. FRAME

REF.NO	CODE	Q'TY	DESCRIPTION	REMARK
1	UH1944001	2	COOLING FAN MOTOR	
2	UH1946001	3	INTERLOCK SWITCH	
3	UH1947001	1	PAPER SIZE SENSOR	
4	UH1948001	4	PAPER SENSOR	
5	UH1949001	2	BELT SENSOR	
6	UH1950001	1	TONER SENSOR ASSY	
7	UH1996001	1	OHP SENSOR	
8	UH3469001	1	WASTE TONER FEEDER (U)	
9	UH3483001	1	DRUM CLEANER	
10	UH3484001	1	TRANSFER DRUM	
11	UH3485001	1	PAPER FEEDING ROLLER	
12	UH3486001	1	SEPARATOR PAD	
13	UH3487001	1	ERASE LAMP	
14	UH3488001	1	OIL SENSOR	
15	UH3492001	1	FUSER CONNECTOR	
16	LJ2052001	1	WASTE TONER FEEDER (L)	

MODEL HL-2400C/HL-2400Ce 54S-301/302

T/I NO. PR98003 / PR99077

2. FRAME



T/I NO. PR99077

MODEL HL-2400C 54S-301

3. SCANNER UNIT

REF.NO	CODE	Q'TY	DESCRIPTION	REMARK
1	UH3482001	1	OPTICAL UNIT	

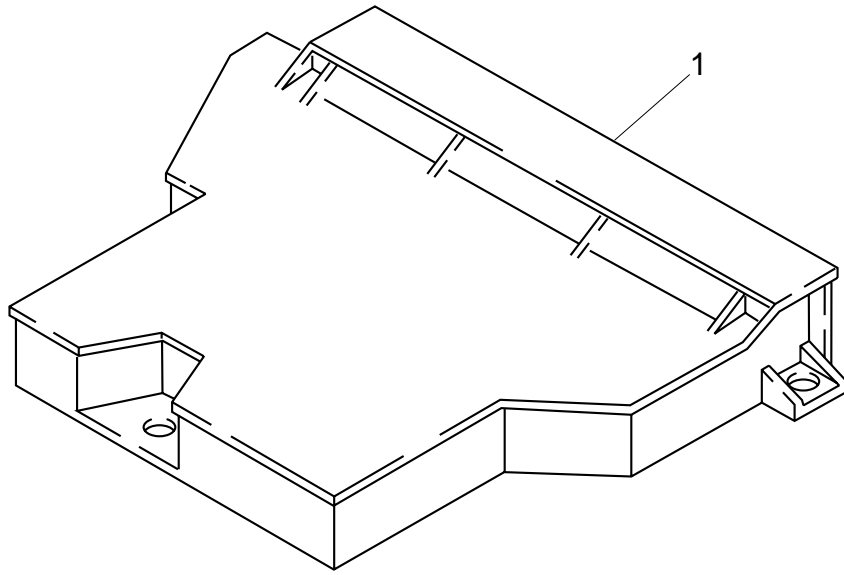
MODEL HL-2400C/HL-2400Ce 54S-301/302

4. MEDIA CASSETTE

REF.NO	CODE	Q'TY	DESCRIPTION	REMARK
1	UH3493001	1	PAPER CASSETTE	

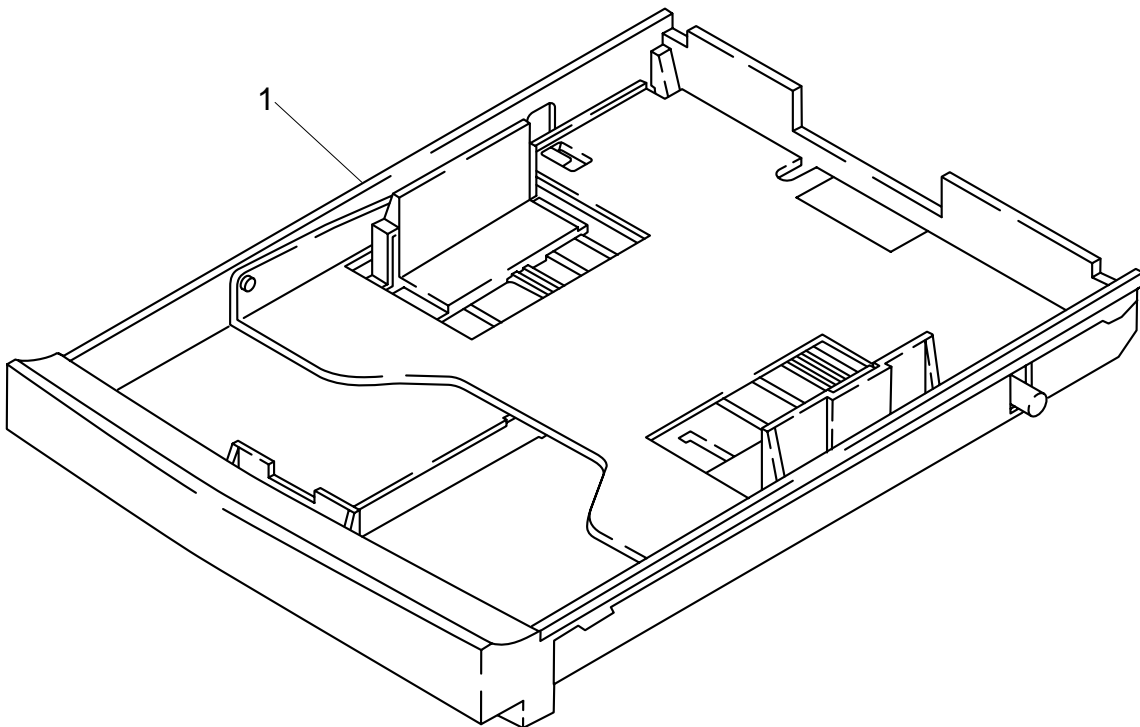
MODEL HL-2400C/HL-2400Ce 54S-301/302

3 . SCANNER UNIT



MODEL HL-2400C 54S-301

4 . MEDIA CASSETTE



MODEL HL-2400C 54S-301

5. TRANSFER UNIT

REF.NO	CODE	Q'TY	DESCRIPTION	REMARK
1	UH3547001	1	TRANSFER UNIT2	
1-1	UH3480001	1	TRANSFER ROLLER	
1-2	UH3548001	1	PAPER DISCHARGER2	

MODEL HL-2400C/HL-2400Ce 54S-301/302

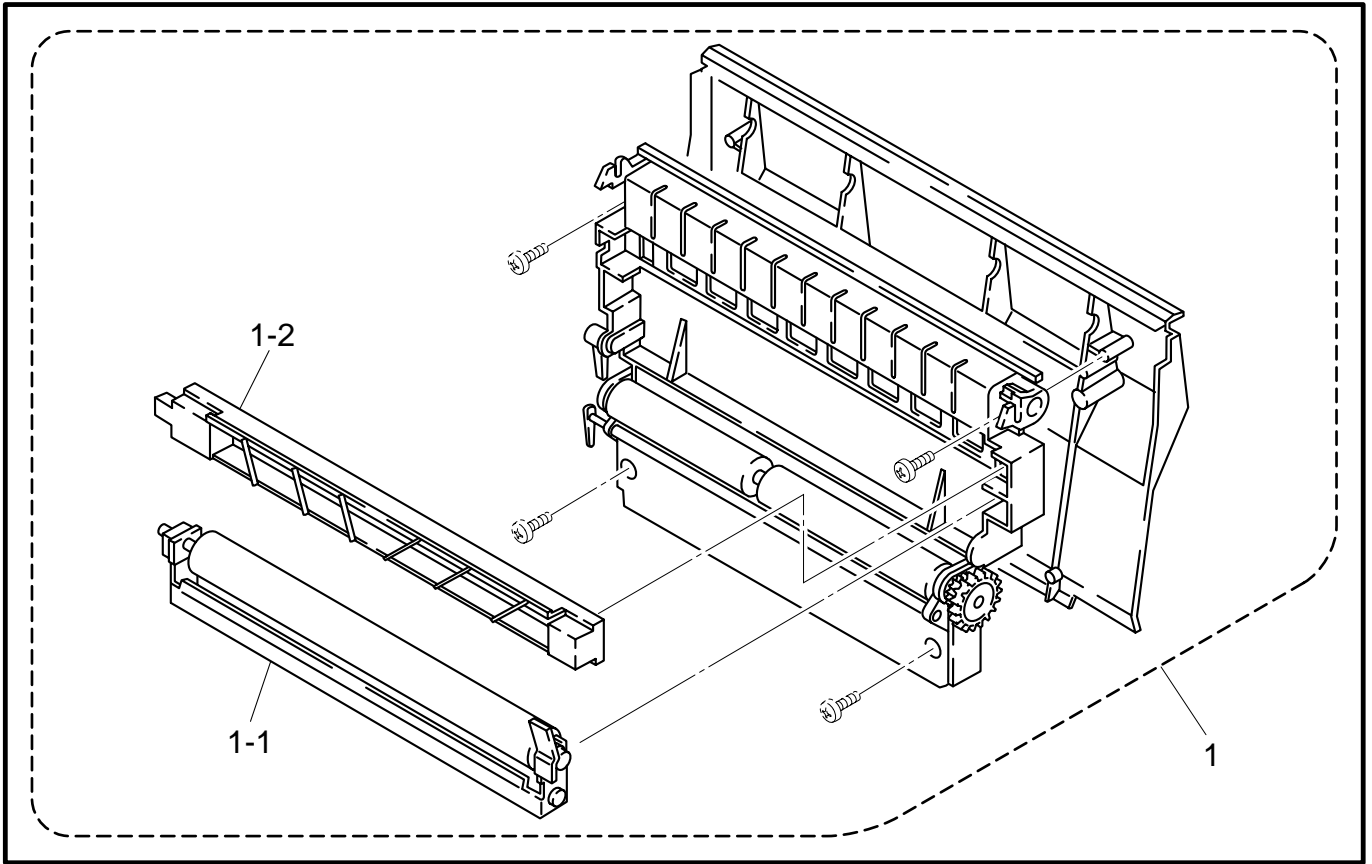
T/I NO. PR98173

6. PAPER EXIT UNIT

REF.NO	CODE	QTY	DESCRIPTION	REMARK
1	UH3459001	1	PAPER EXIT UNIT	
1-1	UH3460001	1	PAPER EXIT UNIT COVER	
1-2	UH3461001	1	PAPER EXIT FRONT COVER	
1-3	UH3462001	1	PAPER EXIT ROLLER	
1-4	UH3463001	1	DISCHARGING BRUSH	
1-5	UH1944001	1	COOLING FAN MOTOR	
1-6	UH1948001	2	PAPER SENSOR	

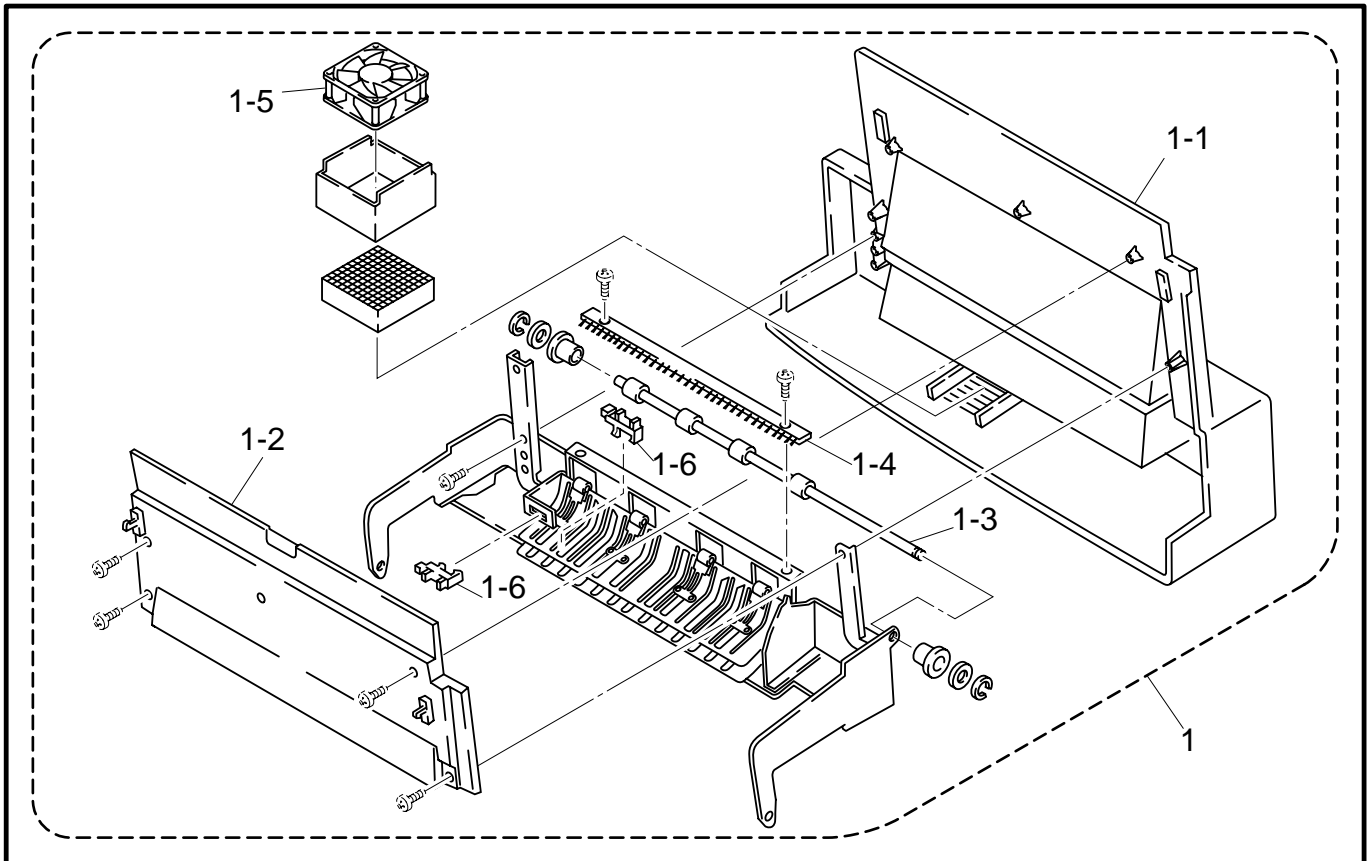
MODEL HL-2400C/HL-2400Ce 54S-301/302

5 . TRANSFER UNIT



MODEL HL-2400C 54S-301

6 . PAPER EXIT UNIT



MODEL HL-2400C 54S-301

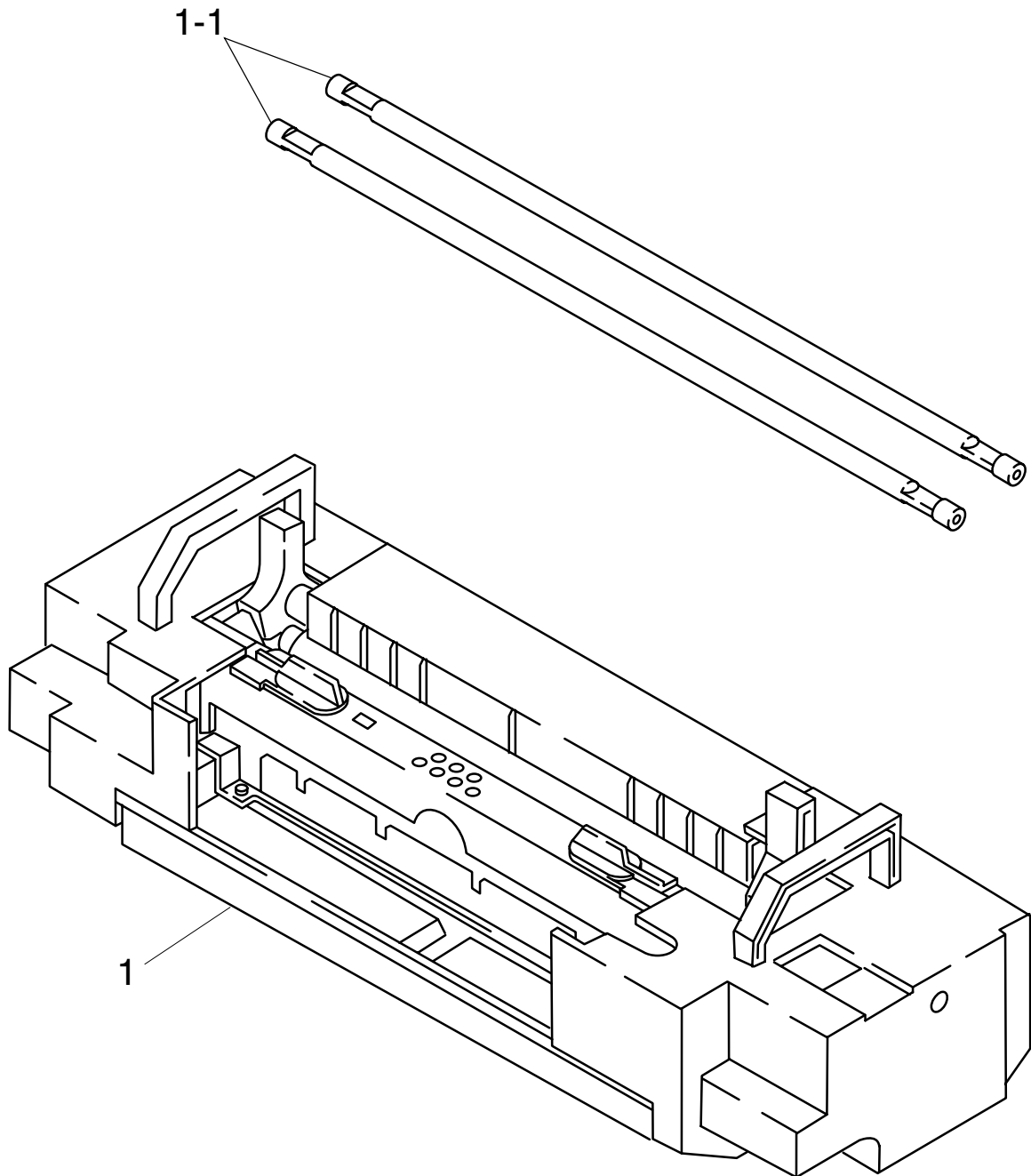
7. FUSING UNIT

REF.NO	CODE	Q'TY	DESCRIPTION	REMARK
1	UH3470001	1	FUSING UNIT (US)	
1	UH3471001	1	FUSING UNIT (EC)	
1-1	UH3473001	1	FUSING HEATER (US)	
1-1	UH3474001	1	FUSING HEATER (EC)	
1-2	LJ2358001	1	OIL PAN UNIT	

MODEL HL-2400C/HL-2400Ce 54S-301/302

T/I NO. PR98252 / PR2000069

7 . FUSING UNIT



MODEL HL-2400C/HL-2400Ce 54S-301/302

8. MAIN PCB (2400C)

REF.NO	CODE	Q'TY	DESCRIPTION	SYMBOL	REMARK
1	UK3900001	1	MAIN PCB HLC1	B48K299-300Q	
2	UK3902001	1	MIO CONNECTOR PCB ASSY		
3	UH1307001	1	OPTIONAL I/O COVER H		
4	UH1901001	1	MAIN PCB PLATE		
5	UH1903001	1	MIO RAIL R		
6	UH1940001	1	MIO RAIL L		
7	UH1904001	1	CONNECTOR PCB HOLDER		
8	UH1924001	2	CARD BLIND		
9	UK3942000	1	MROM23C3210-2	VER.1.45	
10	UK3941000	1	MROM23C3210-1	VER.1.45	

MODEL HL-2400C 54S-301-101

T/I NO. PR98034 / PR98038 / PR98045 / PR98058 / PR98117 / PR98212 / PR98229 / PR98266 / PR99004

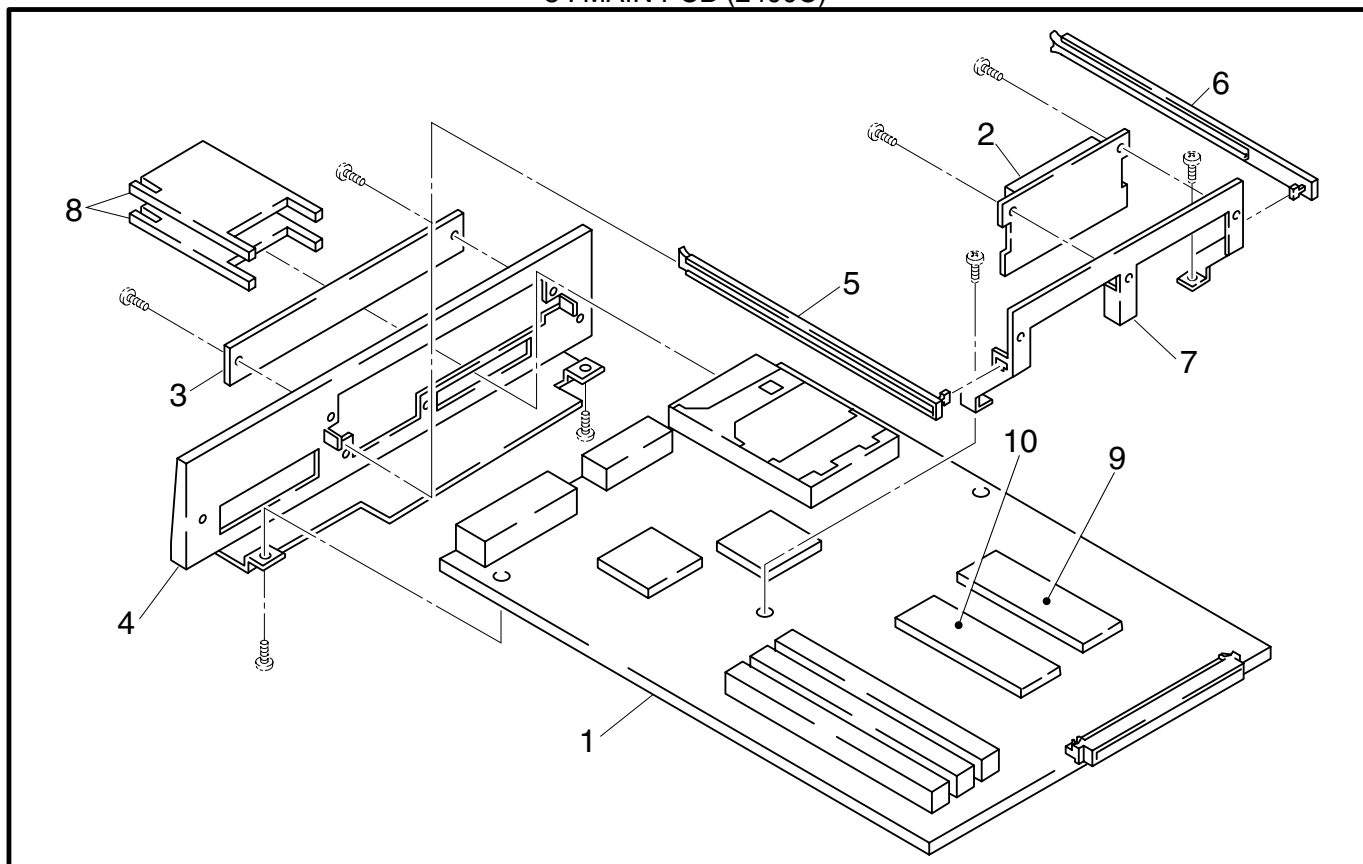
8. MAIN PCB (2400Ce)

REF.NO	CODE	Q'TY	DESCRIPTION	SYMBOL	REMARK
1	LJ8228001	1	MAIN PCB ASSY HLCE	B512050-100E	
1-1	LJ8265001	1	MROM 23L3211-2		
1-2	LJ8264001	1	MROM 23L3211-1		
2	UK3902001	1	MIO CONNECTOR PCB ASSY		
3	UH1307001	1	OPTIONAL I/O COVER H		
4	LJ8214001	1	MAIN PCB PLATE		
5	UH1903001	1	MIO RAIL R		
6	UH1940001	1	MIO RAIL L		
7	UH1904001	1	CONNECTOR PCB HOLDER		
8	UH1924001	2	CARD BLIND		
9	LJ8283001	1	BRNET PCB ASSY (SP)		

MODEL HL-2400Ce 54S-302-101

T/I NO. PR2000036 / PR2000045 / PR2000123

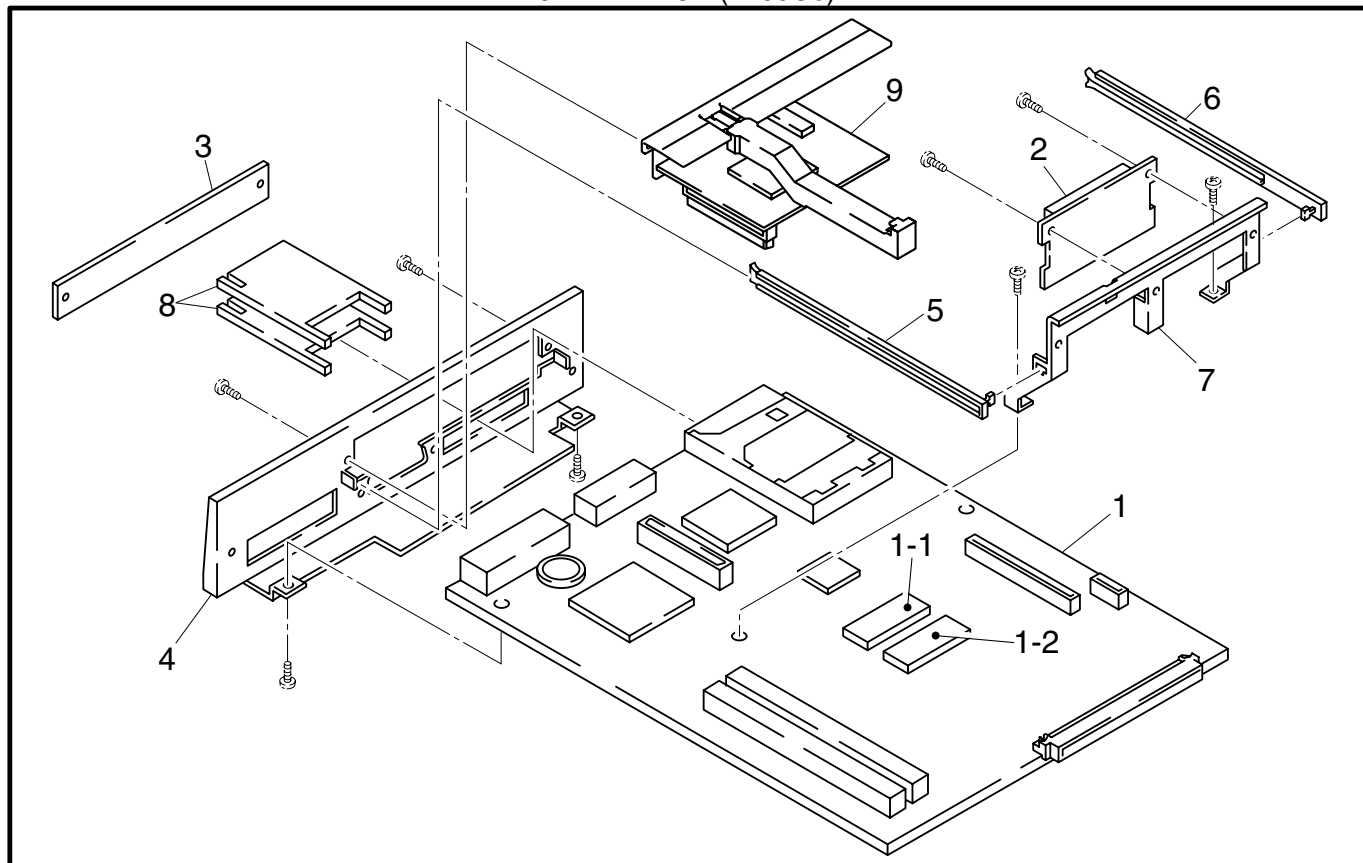
8 . MAIN PCB (2400C)



T/I NO. PR98038

MODEL HL-2400C 54S-301

8 . MAIN PCB (2400Ce)



T/I NO. PR2000036

MODEL HL-2400Ce 54S-302

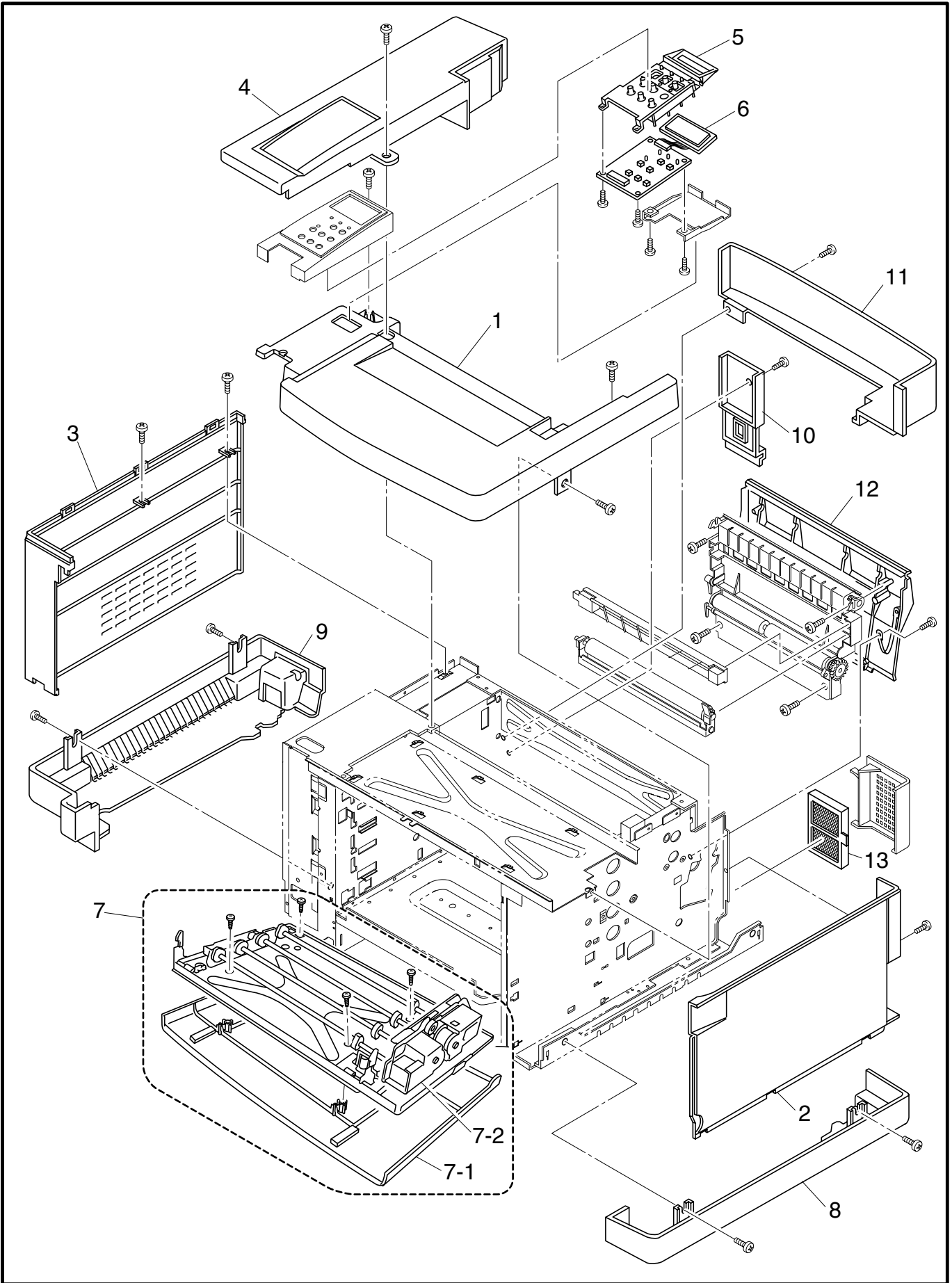
9. COVER

REF.NO	CODE	Q'TY	DESCRIPTION	REMARK
1	UH3451001	1	TOP COVER	
2	UH3452001	1	SIDE COVER (R)	
3	UH3453001	1	SIDE COVER (L)	
4	UH3454001	1	UPPER SIDE COVER	
5	UH3455001	1	PANEL BUTTON	
6	UH3456001	1	PANEL PWB	
7	UH3457001	1	FRONT COVER UNIT (HL2400C)	
7	LJ2259001	1	FRONT COVER UNIT-E (HL2400Ce)	
7-1	UH3458001	1	FRONT COVER (HL2400C)	
7-1	LJ2260001	1	FRONT COVER-E (HL2400Ce)	
7-2	LJ2142001	1	DE SOLENOID ASSY	
8	UH3464001	1	BASE COVER (R)	
9	UH3465001	1	BASE COVER (L)	
10	UH3466001	1	REAR COVER	
11	UH3467001	1	REAR COVER (U)	
12	UH3468001	1	REAR COVER (L)	
13	UH1945001	1	OZONE FILTER	
14	LJ2852001	1	S PLATE R ASSY	
15	LJ2853001	1	MD GEAR ASSY	

MODEL HL-2400C/HL-2400Ce 54S-301/302

T/I NO. PR99182 / PR2000036 / PR2000156

9. COVER



MODEL HL-2400C/HL-2400Ce 54S-301/302

T/I NO. PR99137 / PR99182

10. MCTL PCB

REF.NO	CODE	Q'TY	DESCRIPTION	SYMBOL	REMARK
1	LJ2763001	1	MCTL PWB EC F		
1	LJ3708001	1	MCTL PWB ECe F	Ver. LDA 1-7	

MODEL HL-2400C/HL-2400Ce 54S-301/302

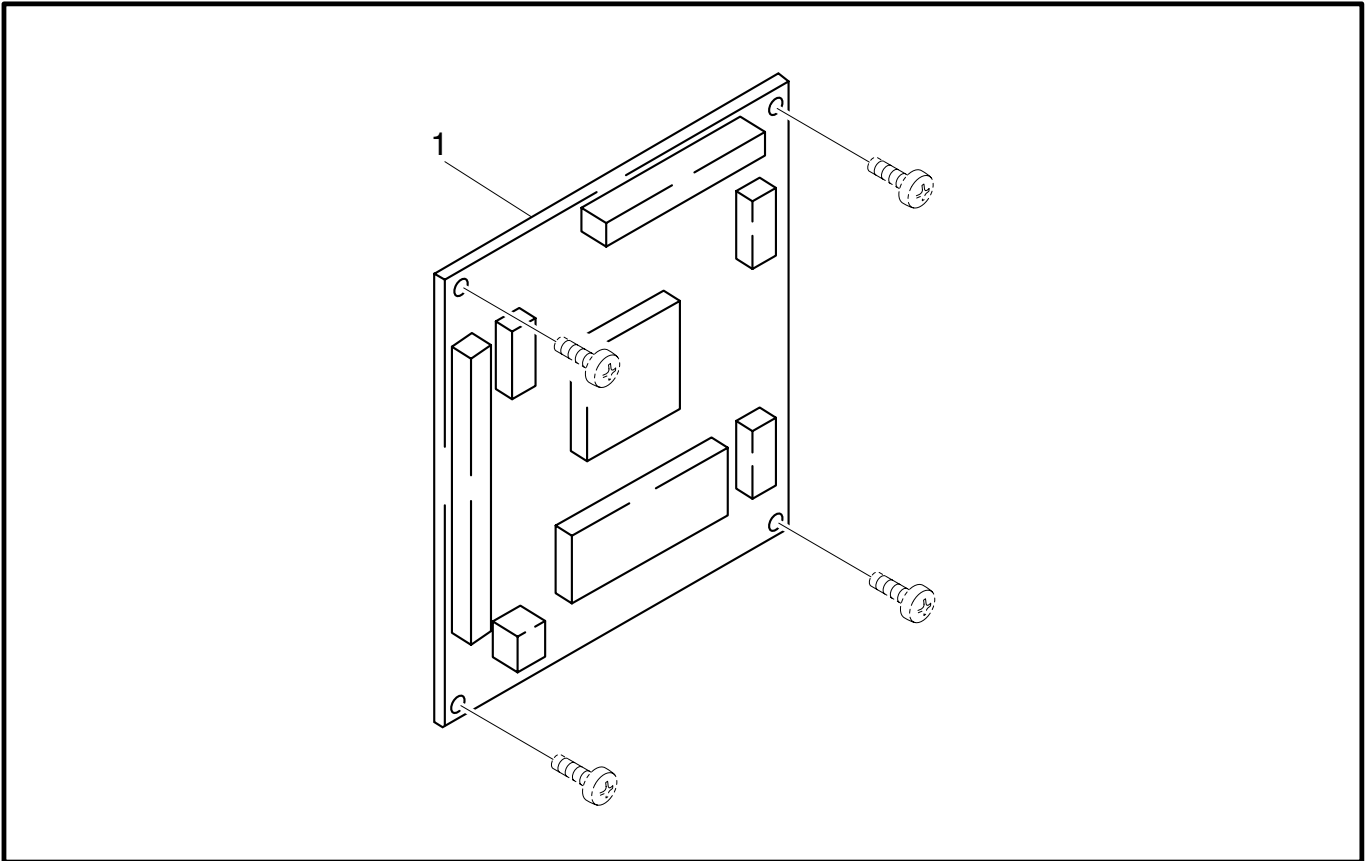
T/I NO. PR98215 / PR98216 / PR2000036 / PR2000145

11. IOD PCB

REF.NO	CODE	QTY	DESCRIPTION	REMARK
1	UH1998001	1	IOD1 PWB	
2	UH1999001	1	IOD2 PWB	

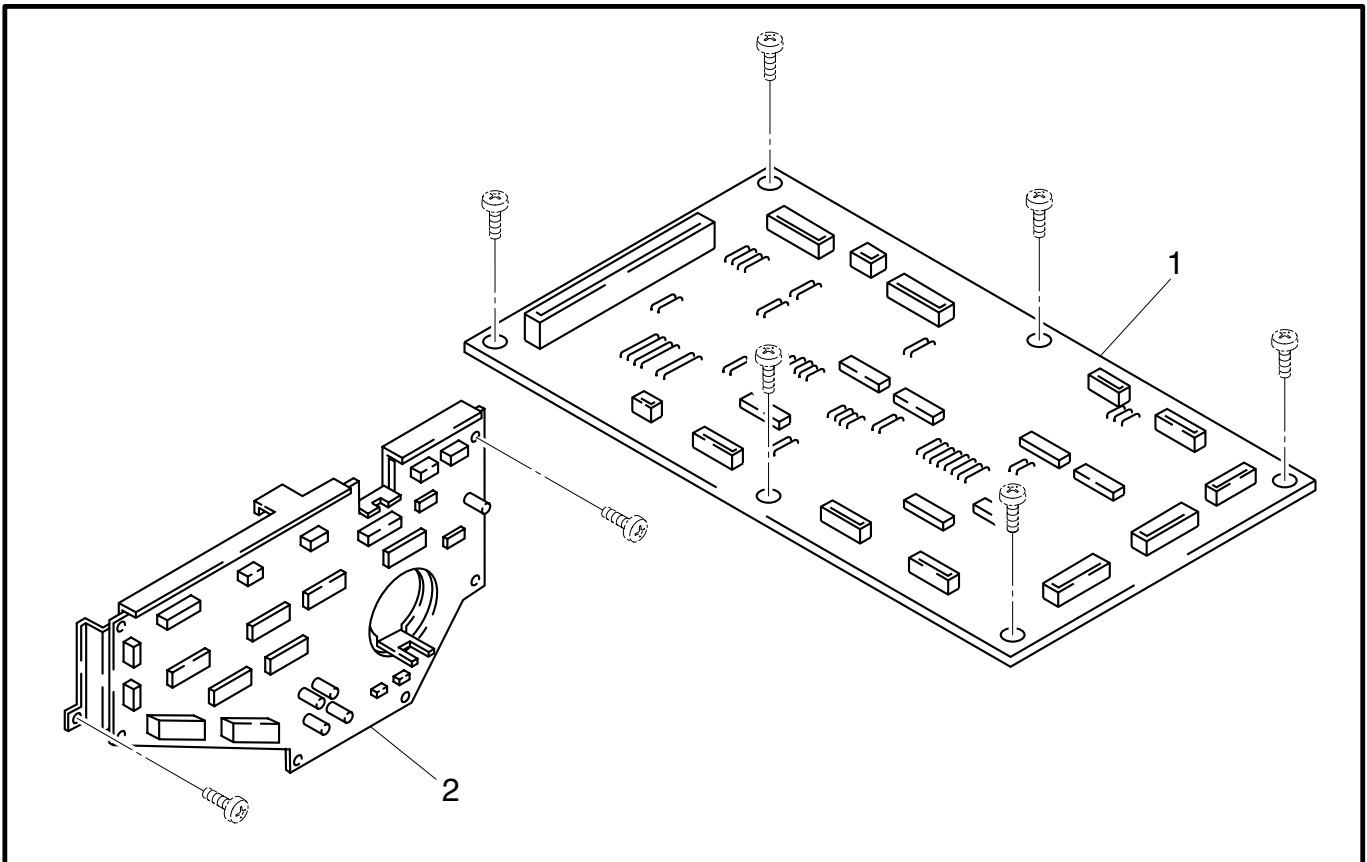
MODEL HL-2400C/HL-2400Ce 54S-301/302

10 . MCTL PCB



MODEL HL-2400C/HL-2400Ce 54S-301/302

11 . IOD PCB



MODEL HL-2400C/HL-2400Ce 54S-301/302

12. POWER SUPPLY UNIT

REF.NO	CODE	Q'TY	DESCRIPTION	SYMBOL	REMARK
1	UH3490001	1	POWER SUPPLY UNIT (US)	Rev:0B	
1	LJ2762001	1	POWER SUPPLY UNIT, EC F (EU)		

MODEL HL-2400C/HL-2400Ce 54S-301/302

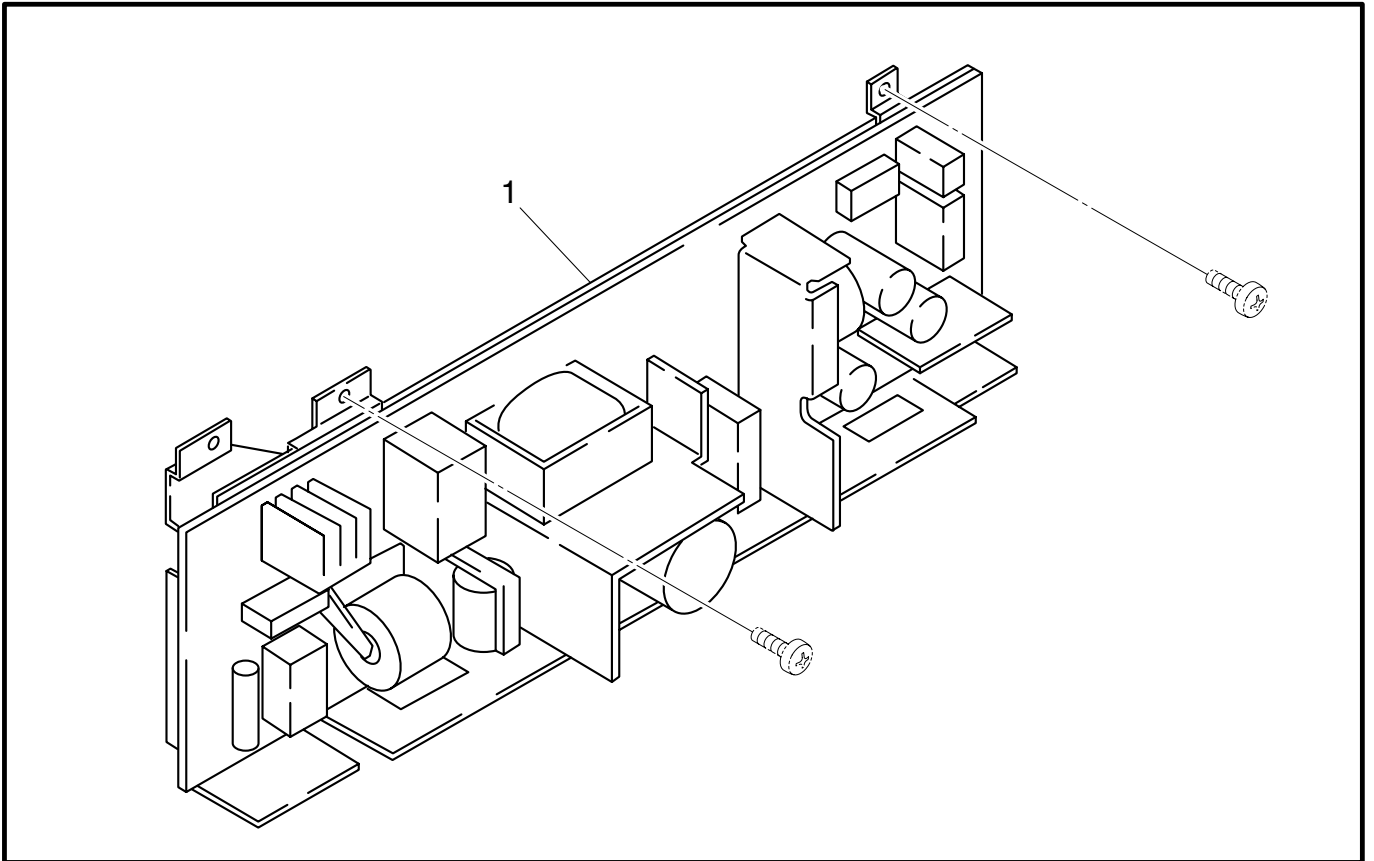
T/I NO. PR2000145

13. HIGH VOLTAGE POWER SUPPLY

REF.NO	CODE	Q'TY	DESCRIPTION	REMARK
1	UH2000001	1	HIGH VOLTAGE UNIT	

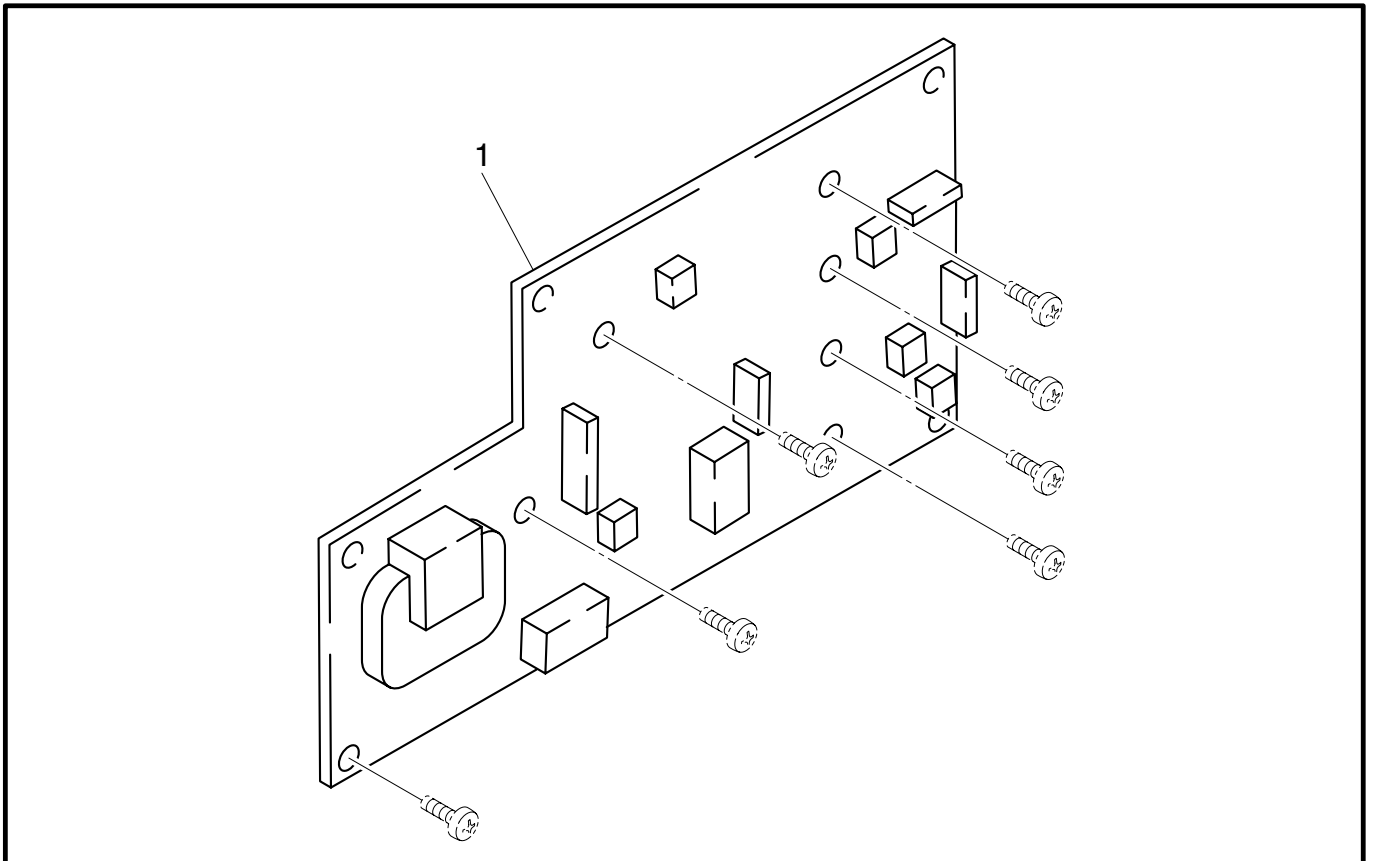
MODEL HL-2400C/HL-2400Ce 54S-301/302

12 . POWER SUPPLY UNIT



MODEL HL-2400C/HL-2400Ce 54S-301/302

13 . HIGH VOLTAGE POWER SUPPLY



MODEL HL-2400C/HL-2400Ce 54S-301/302

14. AC CORDS

REF.NO	CODE	Q'TY	DESCRIPTION	REMARK
1A	UH1933001	1	AC CORD US/CSA	
1B	UH1052001	1	AC CORD VDE	
1C	UH1053001	1	AC CORD SEV	
1D	UH1054001	1	AC CORD BS	
1E	UH1055001	1	AC CORD SAA	
1F	U34320001	1	AC CORD #4, BS WO/PLUG	
1G	UK4094001	1	AC CORD #5, DEMKO	
1H	U34322001	1	AC CORD #6, ISRAEL	

MODEL HL-2400C/HL-2400Ce 54S-301/302-050

T/I NO. PR98046

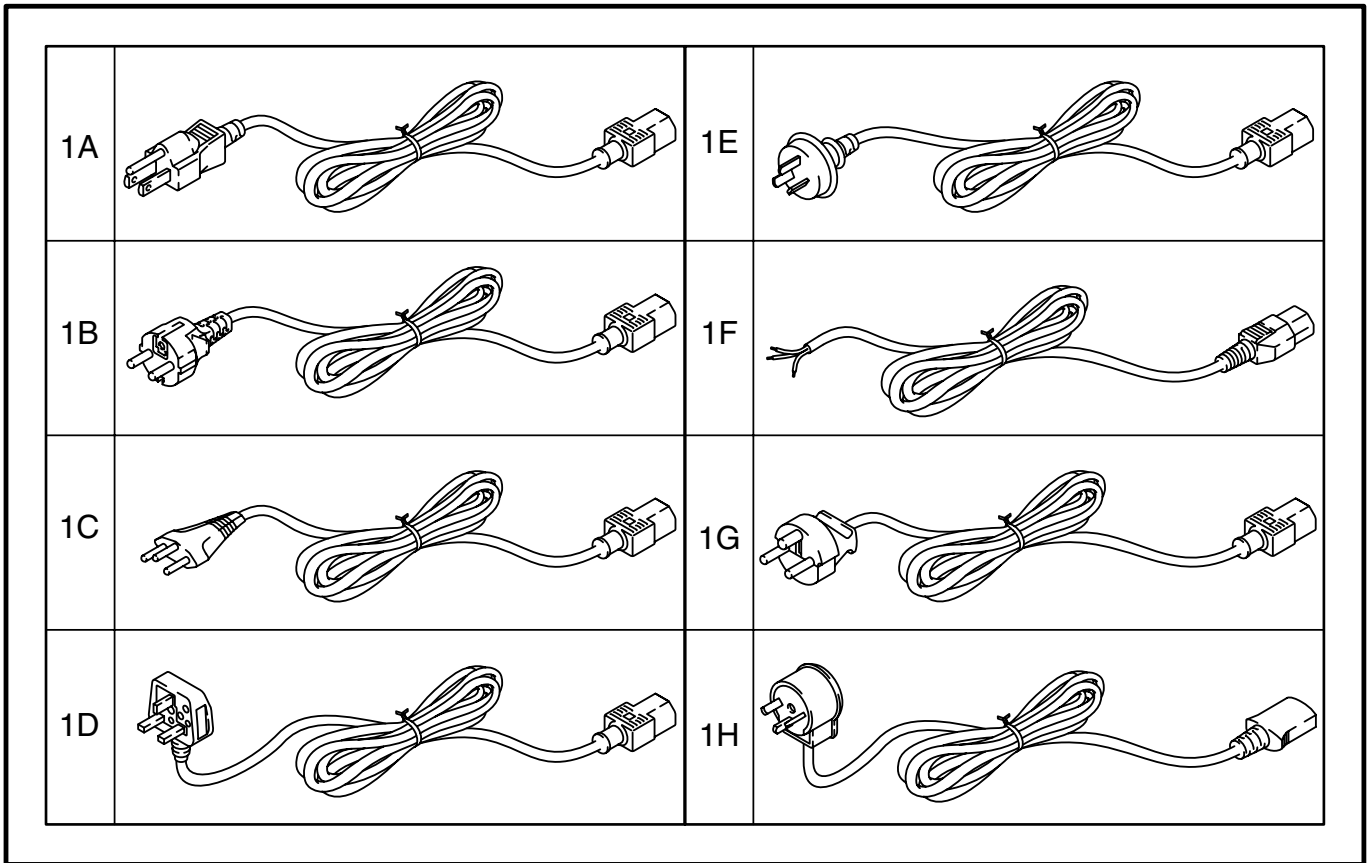
15. ACCESSORIES

REF.NO	CODE	QTY	DESCRIPTION	REMARK
1	UK3850001	1	P DRIVER DISK #1 (HL-2400C)	
2	UK3851001	1	P DRIVER DISK #2 (HL-2400C)	
3	UK3852001	1	P DRIVER DISK #3 (HL-2400C)	
4	UK3864001	1	P DRIVER DISK PS (HL-2400C)	
5	UK3870001	1	P DRIVER DISK MAC (HL-2400C)	
6	UK3866001	1	P DRIVER DISK NT (HL-2400C)	
7	LJ2330001	1	CD ASSY PS3 (HL-2400Ce)	
8	UK3854001	1	USER'S MANUAL ENG. (HL-2400C)	
8	LJ2081001	1	USER'S MANUAL ENG (HL-2400Ce)	
8	UK3855001	1	USER'S MANUAL GER. (HL-2400C)	
8	LJ2112001	1	USER'S MANUAL GER. (HL-2400Ce)	
8	UK3856001	1	USER'S MANUAL FRA. (HL-2400C)	
8	LJ2082001	1	USER'S MANUAL FRA. (HL-2400Ce)	
8	UK3857001	1	USER'S MANUAL DUT. (HL-2400C)	
8	LJ2118001	1	USER'S MANUAL DUT. (HL-2400Ce)	
9	UE2014001	1	PE BAG 215X350H	
10	UK3676001	1	P DRIVER DISK (E-MAIL PRINTING) (HL-2400C)	
11	UK4125001	1	P DRIVER DISK NT #2 (HL-2400C)	
12	UK3928001	1	PANTONE DISK PCL (HL-2400C)	

MODEL HL-2400C/HL-2400Ce 54S-301/302-920

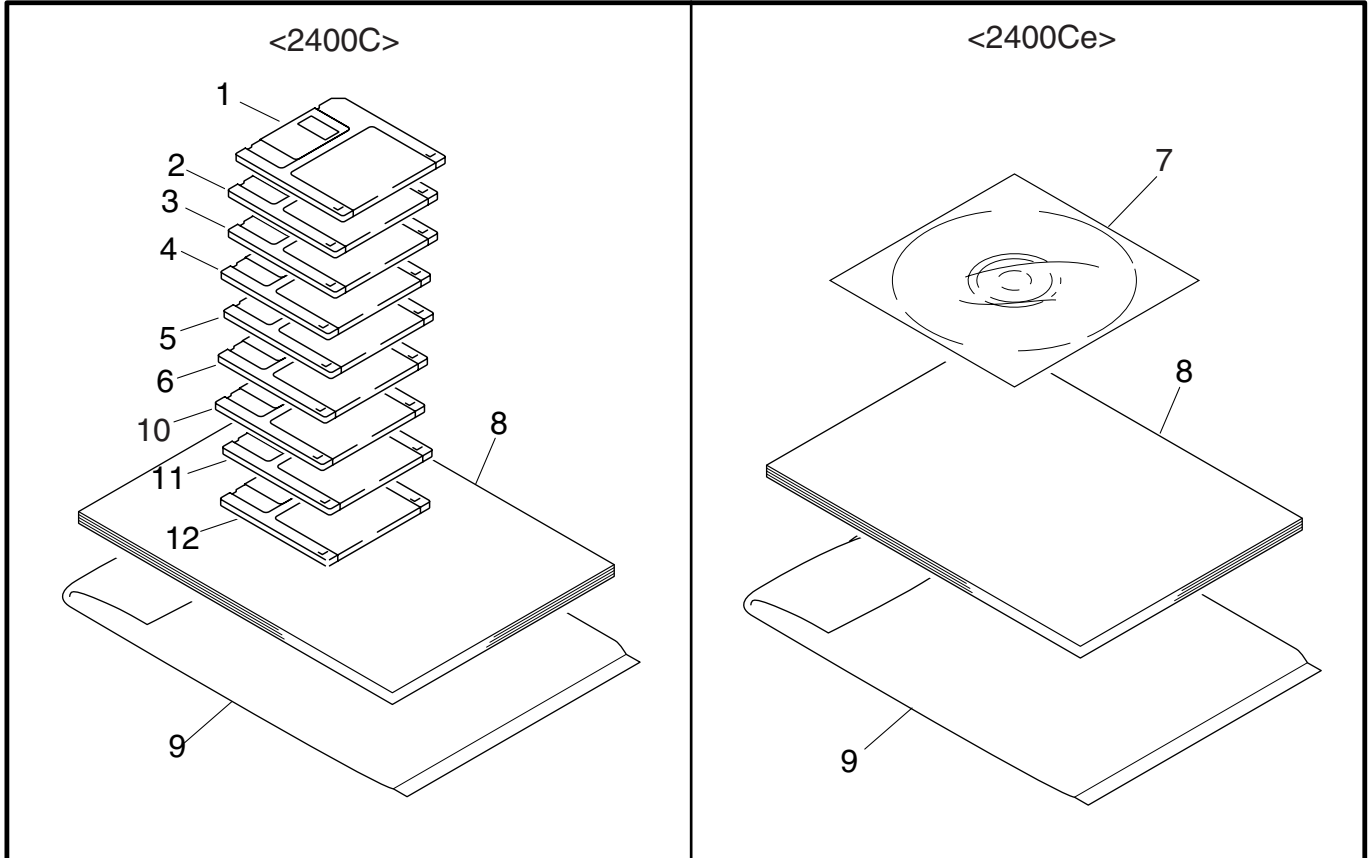
T/I NO. PR98002 / PR98195 / PR98275 / PR2000036 / PR2000123

14 . AC CORDS



MODEL HL-2400CHL-2400Ce 54S-301/302

15 . ACCESSORIES



T/I NO. PR98002 / PR2000036

MODEL HL-2400C/HL-2400Ce 54S-301/302

16. PACKING MATERIALS

REF.NO	CODE	Q'TY	DESCRIPTION	REMARK
1	UH2151001	1	BASE/UPPER PACKING SET	
2	UH2172001	1	POLYETHYLENE BAG (EN)	
3	UH1932001	1	STARTER KIT PACKING SET	
4	UH2164001	1	JOINT	
5	UH1935001	1	HL-C1 CARTON (HL-2400C)	
5	LL0126001	1	HL-CE CARTON (HL-2400Ce)	
6	LJ2331001	2	PS3 LABEL (HL2400Ce only)	

MODEL HL-2400C/HL-2400Ce 54S-301/302 930

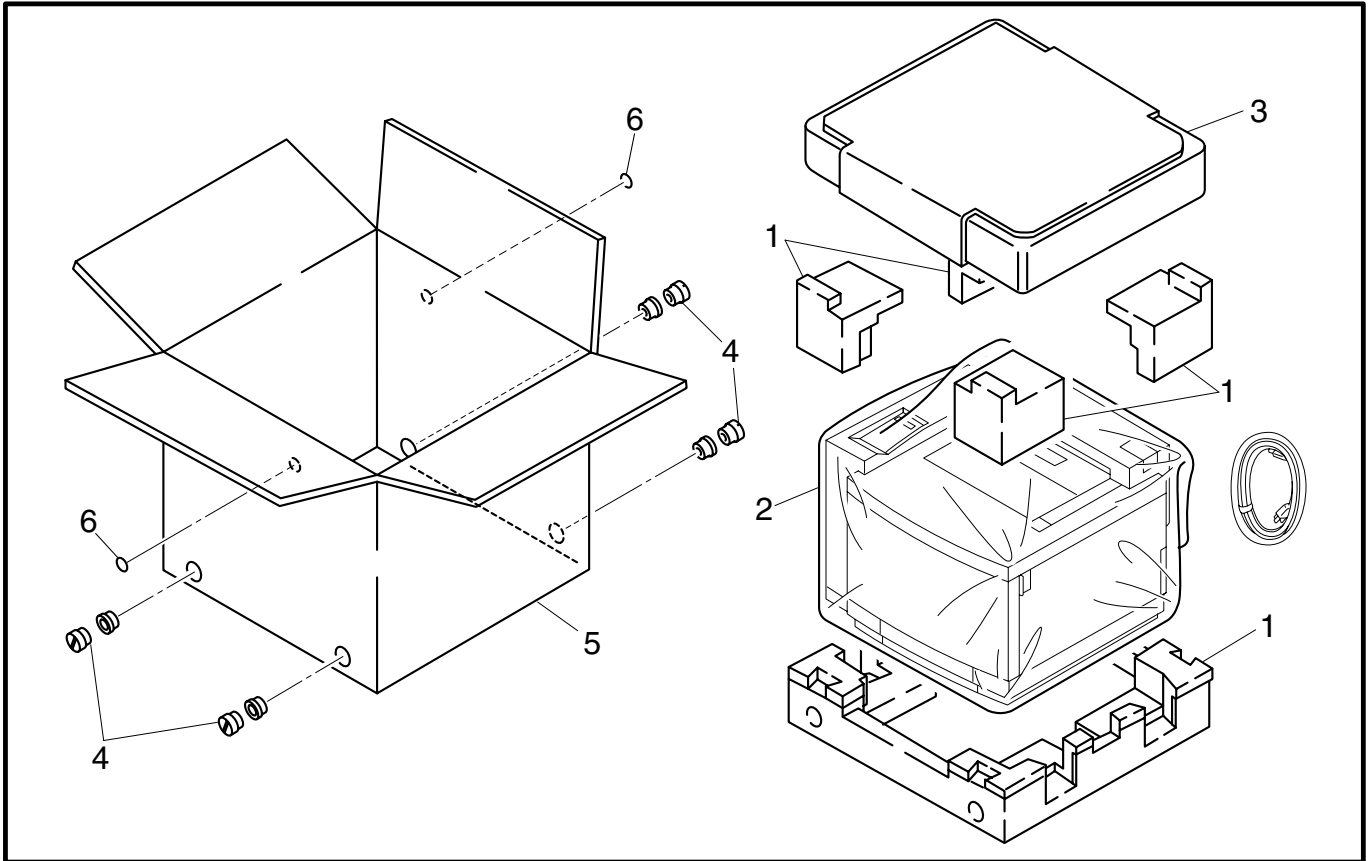
T/I NO. PR2000036 / PR2000123

17. PERIODICAL REPLACEMENT PARTS

REF.NO	CODE	Q'TY	DESCRIPTION	REMARK
1	UH3508001	1	40K KIT (US)	
1	UH3509001	1	40K KIT (EC)	
2	UH3510001	1	120K KIT	

MODEL HL-2400C/HL-2400Ce 54S-301/302

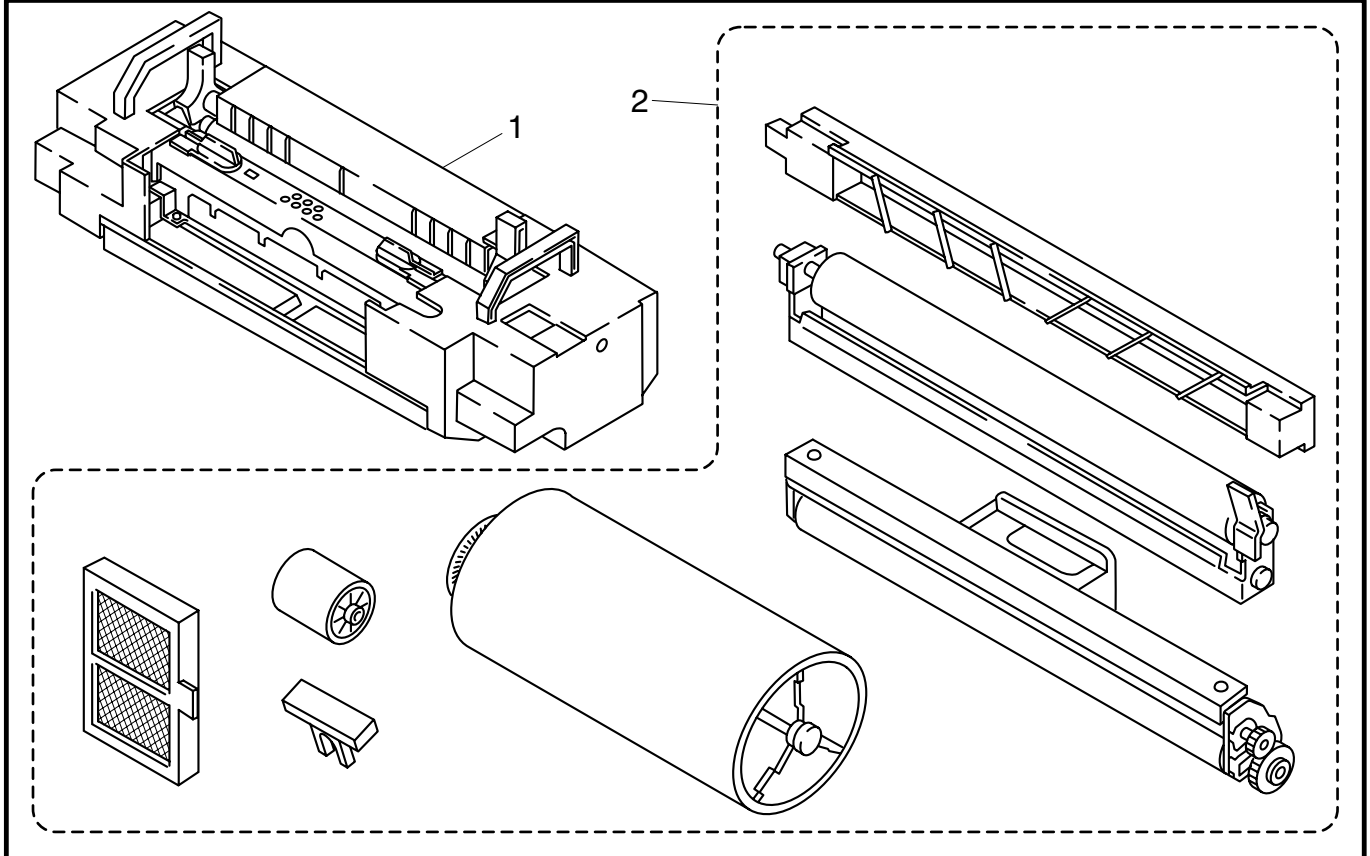
16 . PACKING MATERIALS



MODEL HL-2400C/HL2400Ce 54S-301/302

T/I NO. PR2000123

17 . PERIODICAL REPLACEMENT PARTS



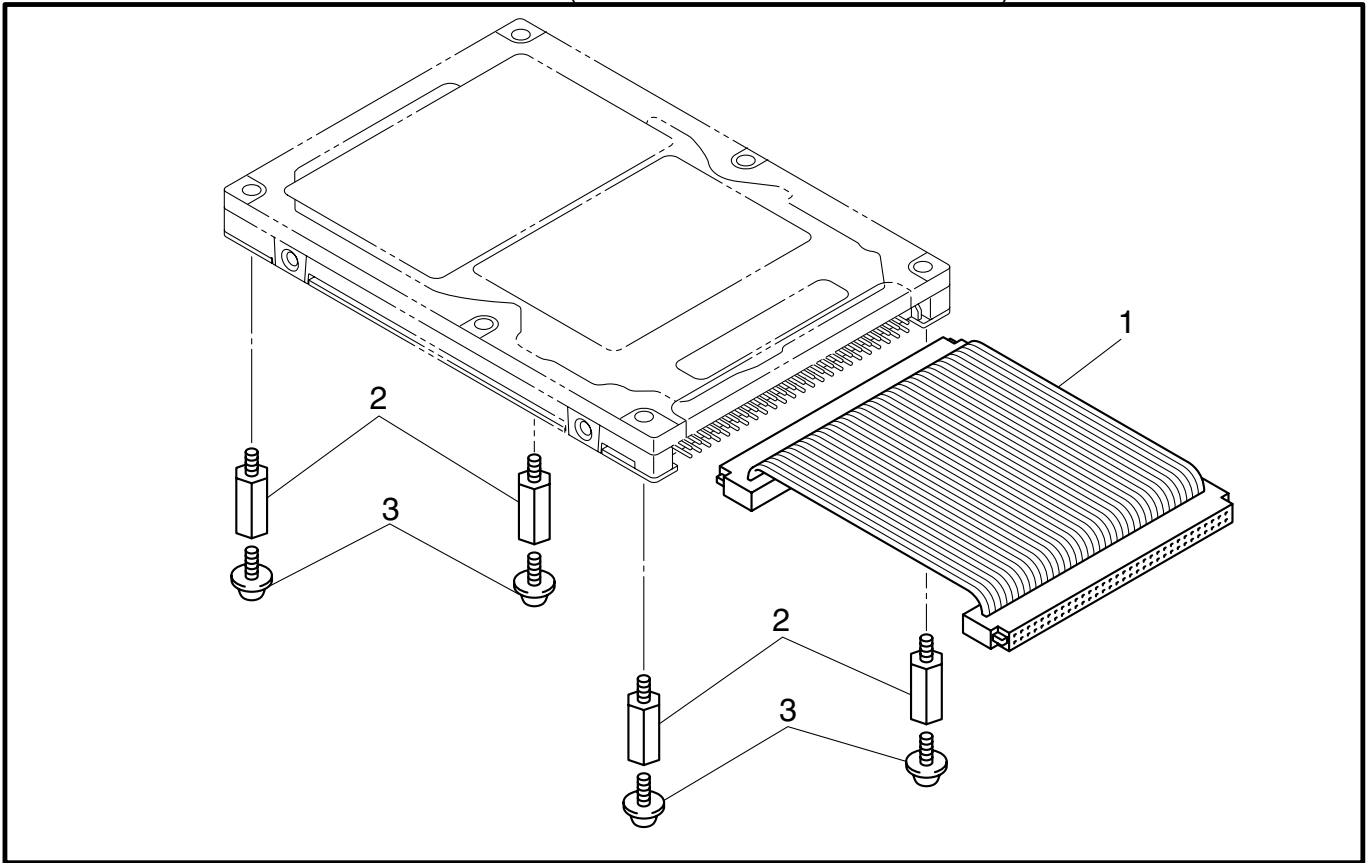
MODEL HL-2400C/HL-2400Ce 54S-301/302

18. HARD DISK (OPTION / FOR HL-2400Ce ONLY)

REF.NO	CODE	Q'TY	DESCRIPTION	REMARK
1	LJ2256001	1	HDD CABLE	
2	LJ2257001	4	SHOULDER SCREW	
3	087320616	4	TAPTITE, CUP S M3X6	

MODEL HD6G 54SX22

T/I NO. PR2000036



T/I NO. PrePR2000001

MODEL HD6G 54SX22